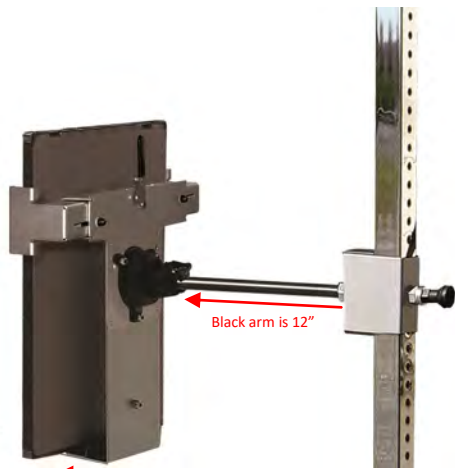


Mobile Holder for Image Receptors

Cat# MCH-33C



Black arm is 12"

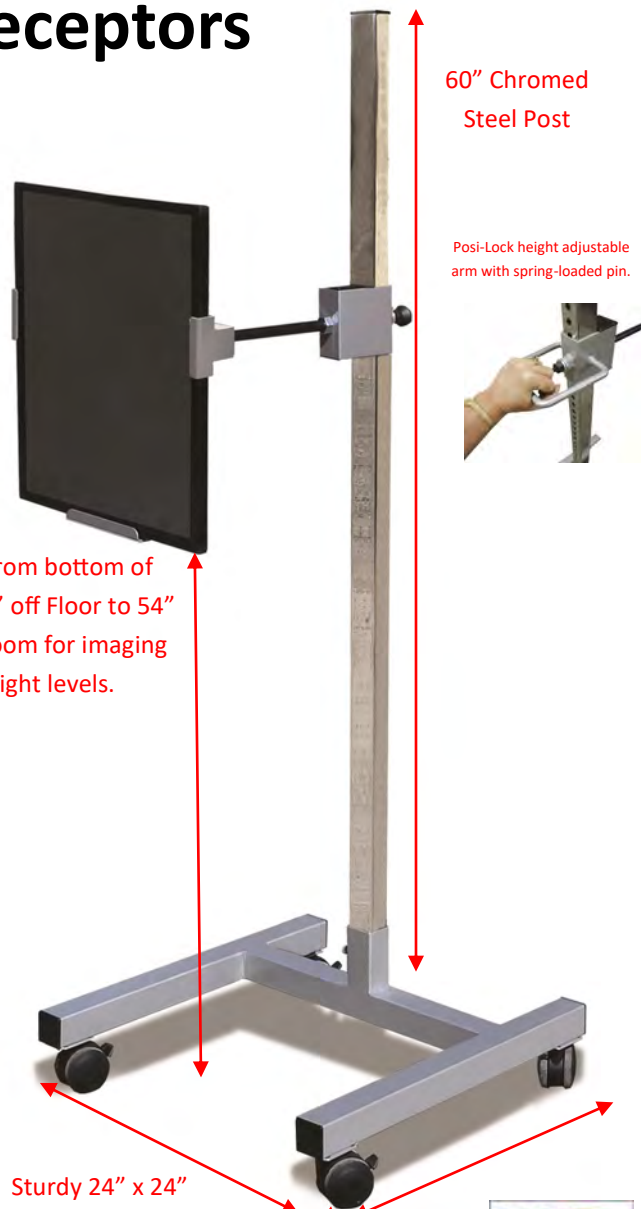
Front of cassette is 18" from pole



Fully Adjustable Tilt & Rotation Abilities:

- * Straight Vertical +/- 90 degrees
- * Incline Forward / Backward
- * Horizontal rotation +/- 180 degrees
- * Full Rotate or Oblique Tilt
- * Face Up
- * Face Down
- * 360 degrees - Anywhere in Between

1.5" Deep Channel Accepts Grids and Caps and will accommodate most receptor sizes like: Agfa, AllPro, Carestream, Canon, Dell, Fuji, GE, Kodak, Konica, Quantum, Medlink, Rayence, Samsong, Shimadzu, Toshiba, Varian, and Vieworks



60" Chromed Steel Post

Posi-Lock height adjustable arm with spring-loaded pin.



Vertical Range from bottom of image receptor: 1" off Floor to 54" allowing ample room for imaging at several height levels.

Sturdy 24" x 24" Broad H-base prevents tipping.

Heavy Duty locking 3" casters for easy manipulation.



Image Receptor Obliques at Angle

Image Receptor Face Up

Image Receptor Tilted Backwards

Radiographs can be taken from any angle. Tray can be positioned face up, face down, and anywhere in between to maximize proper receptor positioning. Perfect for ER, OR, and x-ray procedures such as myelograms, decubitus studies, and three way acute abdomen exams.

- * Bilateral Clamps securely holds receptors in place. Holds up to 20.5" wide flat imaging receptors with No Height Limitation.
- * Will hold receptors up to 12lbs.
- * Easy to clean in a "OR" or "Sterile" setting.
- * Overall equipment weight is approx 54 lbs.
- * Manufactured in Nashville, Tennessee USA
- * 14 Day Lead Time
- * One Year Warranty
- * Ships in 3 cartons: Pole 12lbs, base 23 lbs , & arm 19 lbs.

