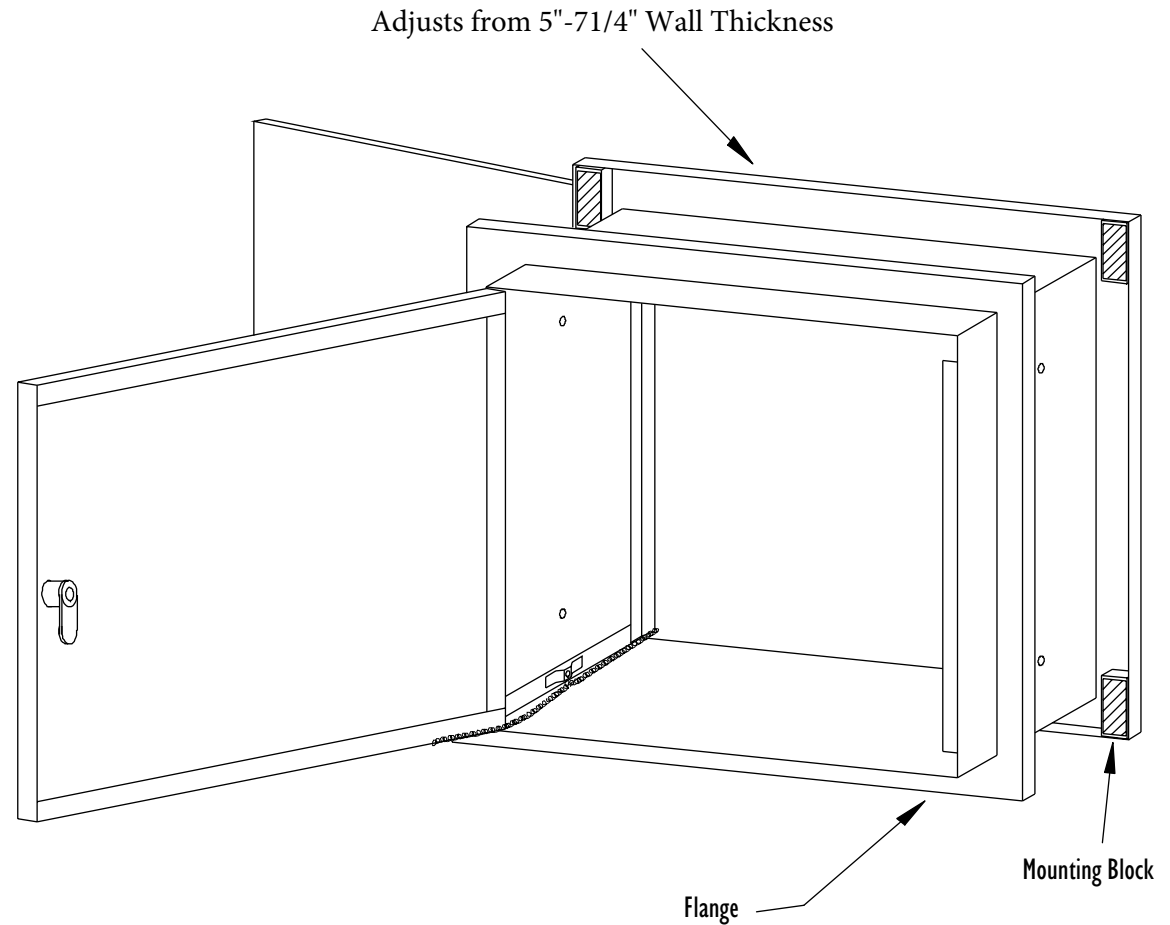


Instruction Sheet

Pass-Thru Cabinet #181786 or #181786T

- 1) Cut rough opening in wall 11 3/4" W x 12 1/8" H and construct inside wall framing of suitable material to accept cabinet mounting screws.
- 2) Slide the cabinet into the wall opening and secure it to the wall from inside the cabinet with (4) #8 screws (not provided). Fill the gap between cabinet and wall with insulation or caulk to create a visual and audio barrier between rooms.
- 3) Before affixing the flanges to the wall, clean the surrounding area with Isopropyl alcohol.
- 4) Remove liner paper from blocks located at each corner of the flanges. Position each flange over the cabinet and up against the wall. Apply firm pressure at each corner to ensure a proper bond.



MANUFACTURERS OF **IBeam** PRODUCTS
OMNIMED INC.®