



Designed for patient comfort and ease of use

- The LED source provides a virtually heat-free light so the patient remains comfortable.
- Dual handles are easily accessible to position the light head.
- The patented K-arm moves smoothly with no drifting.

Enhanced performance

- Nova Exam LED delivers a uniform beam pattern that aids the examination process.
- Dual intensity switching allows a choice between two illumination levels. The low level delivers a 19% increase in light level compared to halogen options.
- Maximum arm reach of 45" (114.30 cm).
- Available with a variety of mounting options (floorstand, table, wall or ceiling) to fit the application.
- Delivers consistent light output during power supply fluctuations.

Lower cost of ownership

- The sleek light head aids routine cleaning.
- The LED source offers 10x the operational life of traditional halogen solutions.
- 58% energy savings over comparable halogen options (at low light level setting) and 18% savings when providing double the illumination.

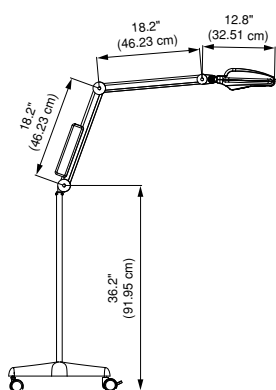
Summary of technical data

Illuminance:	
• Low Level	25,000 lux (2323 fc) at 18" (46 cm)
• High Level	50,000 lux (4645 fc) at 18" (46 cm)
Color Temperature:	4600 K
CRI (Color Rendering Index):	93
Light Source:	Light Emitting Diode (LED)
Rated Life of LED:	40,000 hours average LED life
Power:	18 Watts
Power Supply:	Integral electronic driver
Mounting Options:	Floorstand, Table, Wall or Ceiling
Maximum Arm Reach:	45" (114.30 cm)
Certifications/Approvals:	UL/IEC 60601-1/60601-1-2 3rd Edition, UL/IEC 60601-2-41, CB Certified
Product Warranty:	5-year warranty



Long-reaching

Nova Exam LED boasts a maximum arm reach of 45" (114.30 cm).



Floorstand

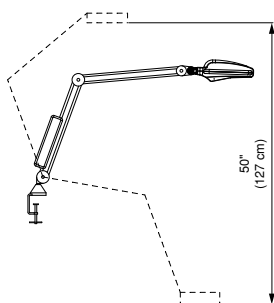
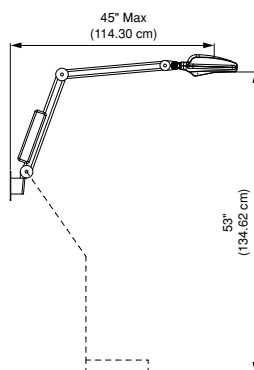
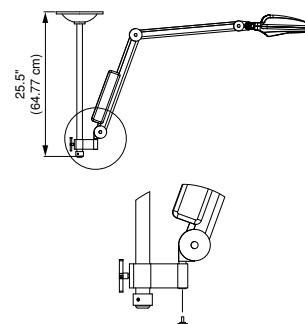


Table Mount



Wall Mount



Ceiling Mount

Ordering Information

120V Model	230/240V Model (add appropriate country code to end of model no.)	100V Model	Description
NXFL	NXFL ¹ ____	NXFL01	Floorstand
NXT	NXT ¹ ____	NXT01	Table Mount
NXW	NXW ¹ ____	NXW01	Wall Mount
NXC	NXC ¹ ____	NXC01	Ceiling Mount

¹ Add the appropriate country code to the end of the model number. Use "01" for Japan, "02" for the United Kingdom, "03" for Europe, "25" for Spain and "26" for Australia.

Example: NXFL25 for a 230/240V Floorstand model for Spain.

Note: The models ordered for Spain have Spanish Language Manuals.