



**Waist-High
Digital Bariatric Scale
Model 685X Series
Operating Instructions**



1930-M458-O1 Rev F
03/15

Printed in USA

FCC COMPLIANCE STATEMENT

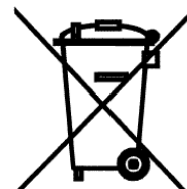
This equipment generates uses, can radiate radio frequency, and if not installed and used in accordance with the instruction manual, may cause interference to radio communications. It has been designed within the limits for a Class A computing device pursuant to Subpart J of Part 15 of FCC rules to provide reasonable protection against such interference when operated in a commercial environment. Operation of this equipment in a residential area may cause interference, in which case the user will be responsible to take whatever measures necessary to correct the interference.

You may find the booklet "How to Identify and Resolve Radio TV Interference Problems" prepared by the Federal Communications Commission helpful. It is available from the U.S. Government Printing Office, Washington, D.C. 20402. Request stock No. 001-000-00315-4.

PROPER DISPOSAL

When this device reaches the end of its useful life, it must be properly disposed of. It must not be disposed of as unsorted municipal waste. Within the European Union, this device should be returned to the distributor from where it was purchased for proper disposal. This is in accordance with EU Directive 2002/96/EC. Within North America, the device should be disposed of in accordance with the local laws regarding the disposal of waste electrical and electronic equipment.

It is everyone's responsibility to help maintain the environment and to reduce the effects of hazardous substances contained in electrical and electronic equipment on human health. Please do your part by making certain that this device is properly disposed of. The symbol shown to the right indicates that this device must not be disposed of in unsorted municipal waste programs.



COPYRIGHT


All rights reserved. Reproduction or use, without expressed written permission, of editorial or pictorial content, in any manner, is prohibited. No patent liability is assumed with respect to the use of the information contained herein.

DISCLAIMER

While every precaution has been taken in the preparation of this manual, the Seller assumes no responsibility for errors or omissions. Neither is any liability assumed for damages resulting from use of the information contained herein. All instructions and diagrams have been checked for accuracy and ease of application; however, success and safety in working with tools depend to a great extent upon the individual accuracy, skill and caution. For this reason the Seller is not able to guarantee the result of any procedure contained herein. Nor can they assume responsibility for any damage to property or injury to persons occasioned from the procedures. Persons engaging the procedures do so entirely at their own risk.

Serial Number _____
Date of Purchase _____
Purchased Form _____

RETAIN THIS INFORMATION FOR FUTURE USE

<h3>PRECAUTIONS</h3> <p>Before using this product, read this manual and pay special attention to all "NOTIFICATION" symbols:</p>  <p>IMPORTANT</p>



6855 / 6855KGEU



6856 / 6856KGEU



6854DHR / 6854KGEUDHR



6857DHR / 6857KGEUDHR

INTRODUCTION

Thank you for purchasing our Waist-High Digital Bariatric Scale. It has been manufactured with quality and reliability and has been tested before leaving our factory to insure accuracy and dependability for years to come.

This manual is provided to guide you through the operation of your scale. Please read it thoroughly before attempting to operate your scale and keep it handy for future reference.

SPECIFICATIONS

	6855	6855KGEU	6856	6856KGEU
Capacity:	600 lb x .2 lb or 270 kg x .1 kg (selectable)	300 kg x 0.1 kg or 350 kg x 0.2 kg	1000 lb x .2 lb or 450 kg x .1 kg (selectable)	300 kg x 0.1 kg or 350 kg x 0.2 kg
Platform Size:	18" x 14" / 46 cm x 36 cm		24" x 24" / 61 cm x 61 cm	
Shipping Weight:	70 lb / 32 kg		85 lb / 39 kg	
Height Rod:	30" to 78" x 0.1 in (76 cm to 200 cm x 0.1 cm)			
Display:	Six digit, Seven segment, 0.7 inch (17.8 mm) high LCD			
Power:	6 "AA" size Alkaline, Ni-Cad or NiMH batteries (<i>not included</i>) OR an optional 100 to 240 VAC 50/60Hz 12 VDC 1A wall plug-in UL/CSA listed AC power adapter (Cardinal part number 6800-1045).			
Keyboard:	Membrane type with 5 keys, On/Off, Lock/Release, Units, Zero, BMI/Enter and 4 directional arrows			

	6854DHR	6854KGEUDHR	6857DHR	6857KGEUDHR
Capacity:	600 lb x .2 lb or 270 kg x .1 kg (selectable)	300 kg x 0.1 kg or 350 kg x 0.2 kg	1000 lb x .2 lb or 360 kg x .1 kg (selectable)	300 kg x 0.1 kg or 350 kg x 0.2 kg
Platform Size:	18" x 14" / 46 cm x 36 cm		24" x 24" / 61 cm x 61 cm	
Shipping Weight:	74 lb / 34 kg		85 lb / 39 kg	
Digital Height Rod:	43" to 79" x 0.1 in (110 cm to 200 cm x 0.1 cm)			
Display:	Weight: 5 digit, seven segment, 7/8" (22.23 mm) high LCD Height: 4 digit, seven segment, 1/2" (12.7 mm) high LCD BMI: 3 digit, seven segment, 1/2" (12.7 mm) high LCD ID: 14 digit, 14 segment, .35" (8.89 mm) high LCD			
Power:	6854DHR / 6857DHR: 6 "C" cell Alkaline, Ni-Cad or NiMH batteries (<i>not included</i>) OR an optional 12 VDC 1.25A wall plug-in AC power adapter (Cardinal part number MV1PWR). 6854KGEUDHR / 6857KGEUDHR: 6 "C" cell Ni-Cad or NiMH batteries (<i>not included</i>) OR an optional 12 VDC 1.25A wall plug-in AC power adapter (Cardinal part number MV2PWR).			
Keys:	Membrane type with 19 keys, On/Off, Zero, Units, Lock/Release, Net/Gross, Tare, ID/Height, Clear, Print/Enter and 0-9 Numeric Keys			

UNPACKING INSTRUCTIONS

- Remove staples or cut along bottom of carton. Lift carton off pallet.
- Check for any damage incurred in shipping. If scale has been damaged, place a claim with the carrier. *It is the responsibility of the purchaser to file all claims for any damages or loss incurred during transit.* Use the original carton and shipping material to return the scale.
- Cut packing straps securing scale to pallet.
- To remove scale from pallet, at the back of the scale lift up with equal force from the column and at the platform base near the wheels on the scale. Set gently on floor.
- Remove all plastic wrapping, foam fillers and cardboard material from the scale.
- Remove and unpack the AC power adapter and cord, if the scale was ordered with this option.
- Install the batteries or if ordered with the scale, plug the small connector end of the AC power adapter cord into the power jack located on the back of the indicator, then plug the AC power adapter into an appropriate power receptacle.

WARNING! DO NOT connect an AC power adapter to the indicator if alkaline batteries are installed.

- Install the indicator on the scale bracket on the column and then connect the load cell cable to the indicator.

NOTE: For additional information on installing the batteries (or the AC power adapter), mounting the indicator on the scale bracket and connecting the load cell cable;

Refer to the 750 Weight Indicator Owner's Manual (8555-M483-O1) for the 6855, 6855KGEU, 6856 or 6856KGEU.

Refer to the MedVue MV1 Owner's Manual (8555-M512-O1) for the 6854DHR or 6857DHR.

Refer to the MedVue MV2 Owner's Manual (8555-0530-0M) for the 6854KGEUDHR or 6857KGEUDHR.

CARE AND CLEANING OF SCALE

- **DO NOT** subject the platform to sudden shocks.
- **DO NOT** submerge indicator in water, pour or spray water directly on indicator.
- **DO NOT** use acetone, thinner or other volatile solvents for cleaning.
- **DO NOT** expose scale to temperature extremes.
- **DO NOT** place scale in front of heating/cooling vents.
- **DO NOT** place scale in an area where it might be exposed to moisture.
- **DO NOT** operate the keypad with pointed objects (pencils, pens, etc.). Damage to keypad resulting from this practice is NOT covered under warranty.
- **DO** clean the indicator with a damp soft cloth and mild non-abrasive detergent.
- **DO** remove power before cleaning with a damp cloth.
- **DO** provide clean AC power and adequate protection against lightning damage.
- **DO** keep the surroundings clear to provide clean and adequate air circulation.

OPERATION

6855, 6855KGEU, 6856 or 6856KGEU

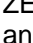


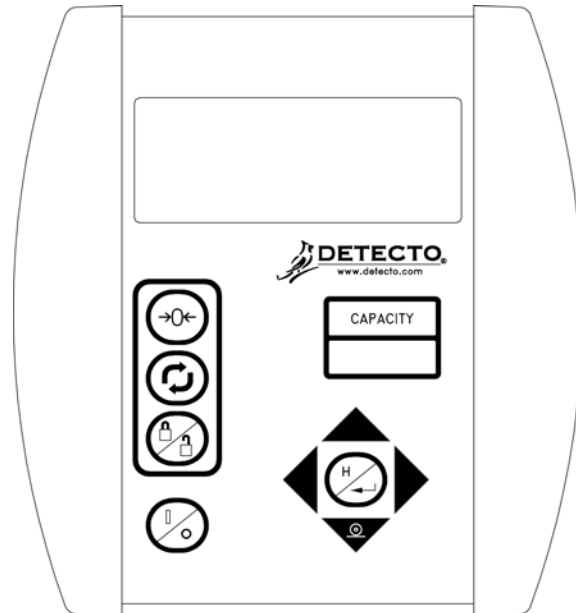
ALWAYS assist the patient in stepping on and off the scale platform to ensure they do not fall. **NEVER** leave a patient unattended while they are on the scale platform. Failure to maintain control of the patient at all times can result in serious injury to you and/or the patient.

To Weigh

1. Set scale on any hard, level, flat surface or low-cut carpet.
2. Press **ON / OFF** key to turn on indicator.
3. Press **ZERO** key to zero weight display. The ZERO and lb or kg annunciator will turn on to show that scale is ready for use.
4. Place patient on scale and read weight display.
5. Remove patient from scale.

Zero Weight Display

1. If the indicator is not showing zero weight on the display, press **ZERO** key.
2. Weight display will return to zero. ZERO, STABLE  and lb or kg annunciators will turn on to show a stable, center-of-zero weight condition.

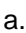

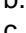

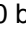
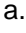
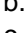
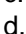

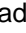


750 Keypad

Metric Conversion

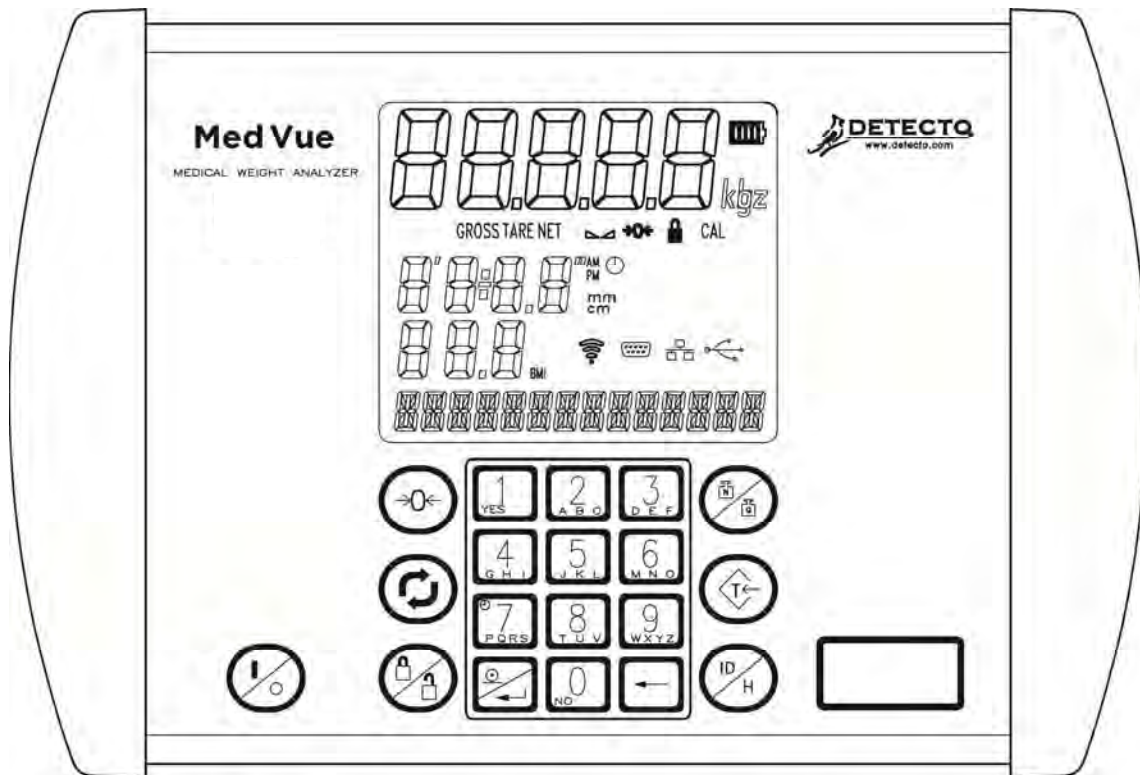
Press **UNITS** key to toggle between pounds and kilograms. Note that lb or kg annunciator will turn on to show which weighing unit is active.

To Weigh and Calculate BMI

1. Press **ON / OFF** key to turn on indicator.
2. Press **ZERO** key to zero weight display. The ZERO and lb or kg annunciator will turn on to show that scale is ready for use.
3. Place patient on scale and read weight display.
4. Press **BMI / ENTER** key.
5. If pounds is the active weighing unit, display will change to show **5 FEET, 6 INCHES** with the 6 blinking. *(The blinking character is the position to be changed)*.
 - a. Press  or  keys until desired height in inches is displayed and then press  or  key to move the blinking character to FEET.
 - b. Press  or  keys until desired height in feet is displayed.
 - c. Proceed to Step 7.
6. If kilograms is the active weighing unit, display will change to show **170 cm.** with the 0 of 170 blinking. *(The blinking character is the position to be changed)*..
 - a. Press  or  keys until the desired number is displayed.
 - b. Press  or  key to move to next character to change.
 - c. Repeat steps A and B until the desired height in centimeters is displayed.
 - d. Proceed to Step 7.
7. Press **BMI / ENTER** key.
8. Read BMI on display.
9. Remove patient from scale.
10. Press **BMI / ENTER** key to return to weighing operation.

OPERATION, CONT.

6854DHR, 6854KGEUDHR, 6857DHR or 6857KGEUDHR



MedVue Keypad



ALWAYS assist the patient in stepping on and off the scale platform to ensure they do not fall. **NEVER** leave a patient unattended while they are on the scale platform. Failure to maintain control of the patient at all times can result in serious injury to you and/or the patient.

To Weigh

1. Set scale on any hard, level, flat surface or low-cut carpet.
2. Press **ON/OFF** key to turn the indicator on.
3. Press **ZERO** key to zero weight display. ZERO, GROSS and lb or kg annunciator will turn on to show that the scale is ready for use.
4. Place patient on scale and read weight display.
5. If a printer is connected to scale, press **PRINT/ENTER** key to print a ticket.
6. Remove patient from scale.

Zero Weight Display

1. In Gross Weight mode (GROSS annunciator on), press **ZERO** key.
2. Weight display will return to zero. ZERO and STABLE $\blacktriangleleft\blacktriangleright$ annunciators will turn on to show a stable, center-of-zero ($\rightarrow 0 \leftarrow$) gross weight condition.

Metric Conversion

Press the **UNITS** key to toggle between pounds and kilograms. The lb or kg annunciator will turn on to show the weighing unit selected. In addition, the height units will change from feet/inches to centimeters. **NOTE:** This is only available if configured in Calibration Setup.

OPERATION, CONT.

6854DHR, 6854KGEUDHR, 6857DHR or 6857KGEUDHR

To Weigh and Calculate BMI

Manually Entering Height

1. Press **ON/OFF** key to turn the indicator on.
2. Press **ZERO** key to zero weight display. ZERO, GROSS and lb or kg annunciator will turn on to show scale is ready for use.
3. Perform tare operation if required. Refer to Push Button Tare or Tare Weight Entry in previous section for instructions on using tare.
4. Press **ID/HEIGHT** key.
5. If Centimeters was selected for HEIGHT UNITS in setup, the display will change to show CENTIMETERS.
 - a. Use numeric keys to enter up to 4 digits (# # # . #) for height in centimeters and then press **PRINT/ENTER** key.
6. If Millimeters was selected for HEIGHT UNITS in setup, display will change to show MILLIMETERS.
 - a. Use numeric keys to enter up to 4 digits (# # # #) for height in millimeters and then press **PRINT/ENTER** key.
7. Place patient on the scale.
8. Read weight and BMI displays.
9. If a printer is connected to scale, press **PRINT/ENTER** key to print a ticket. Note that BMI and height display will clear when ticket prints.
10. Remove patient from scale.
11. If a printer is not connected to scale, BMI display will clear when patient is removed from scale and weight returns to zero.

HEIGHT ROD INSTRUCTIONS

Height Rod Hole Location

- Please check Height Rod hole locations before installing Height Rod.
- **Some models may require holes to be drilled.**
- Please follow the measurements for drilling holes if necessary.
- After holes have been drilled, please follow installation instructions.
- Install the two (2) #10 x 1/2" hex head screws from the hardware pack into the column.

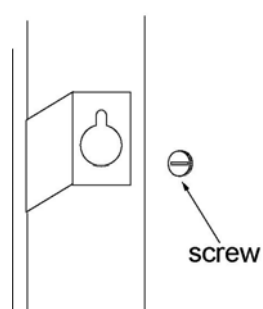
IMPORTANT! Measure from top of scale base.



Height Rod Installation

1. Remove Height Rod from shipping container. Inspect the unit for signs of damage. Contact our Customer Service Department if necessary.
2. Loosen screws located on front of scale column. Place height rod brackets over screws and pull down; securing brackets. Tighten screws as needed.

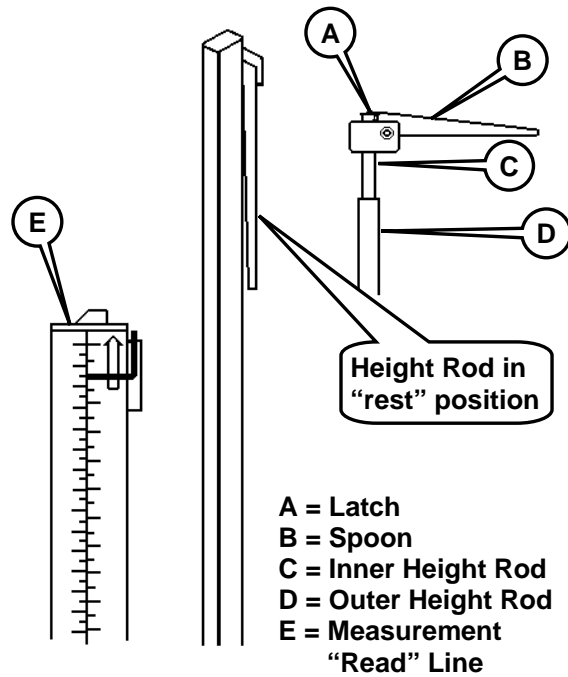
NOTE: The Indicator must be facing away from the scale platform to install the height rod.



HEIGHT ROD INSTRUCTIONS, CONT.

Height Rod Operating Guide

1. Before patient steps onto scale platform, spoon (B) should be rotated to horizontal position, and raised well above patient's apparent height.
2. Patient may now step onto scale platform. Spoon (B) should be held horizontal and above patient's head.
3. Carefully lower spoon (B), keeping it horizontal, until it rests gently on top of patient's head. If patient is shorter than 3' 4" (101.5 cm), push latch (A) to right while simultaneously pushing down on spoon (B), until the spoon (B) rests horizontally on top of patient's head.
4. Read height of patient as follows:
 - If back of spoon points to outer height rod, then it points to correct height.
 - If back of spoon points to inner height rod, then correct height is read at top of outer height rod (see "Read" arrow on outer height rod).
5. While holding spoon (B) horizontally, raise spoon (B) above patient's head. Patient may now step off scale platform. Hold spoon (B) horizontal until patient is clear of height rod.
6. Rotate spoon (B) back to vertical position and adjust height rod back to rest position (i.e. spoon (B) should be locked in place within inner height rod (C) and inner rod should be at its lowest position).



DIGITAL HEIGHT ROD INSTRUCTIONS

Digital Height Rod Installation

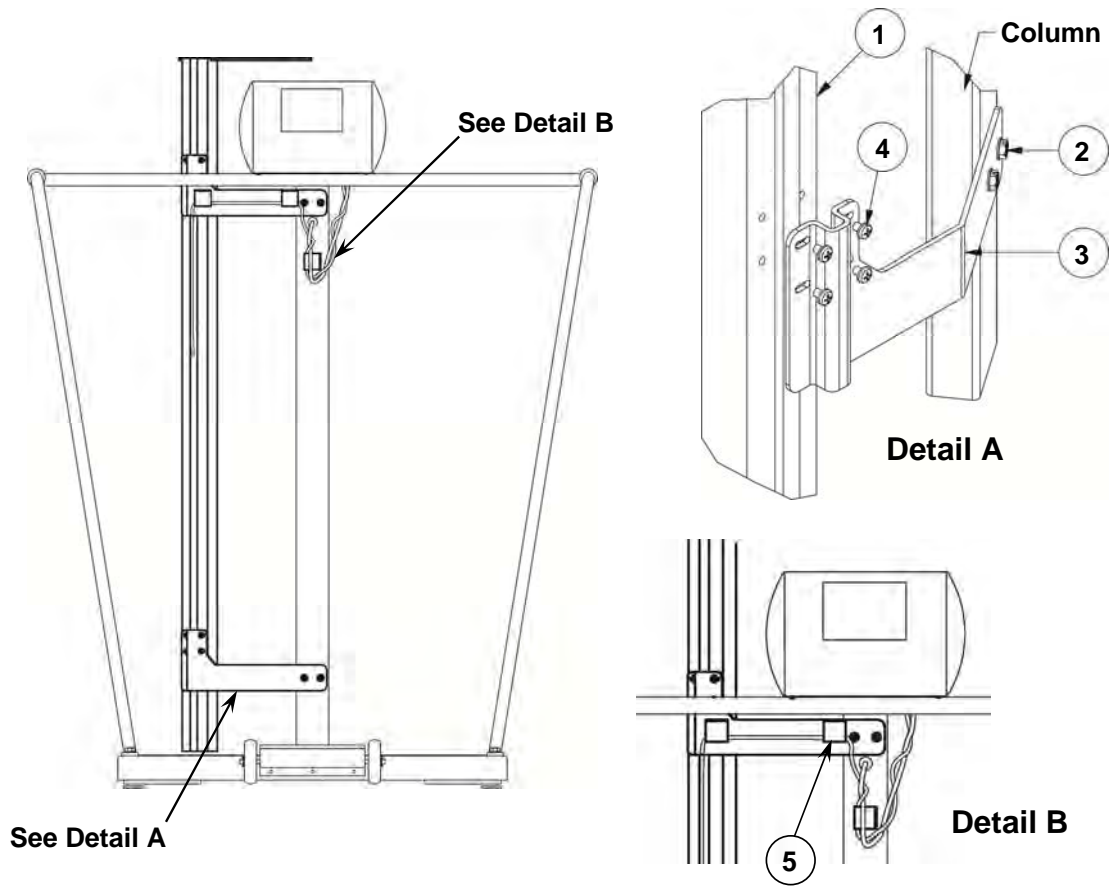
Before starting installation, please unpack carefully and remove all plastic wrappings, foam fillers and cardboard material. You should have the following components:

Item	Qty	Description
1	1	Detecto Digital Height Rod (DHR)
2	4	#10x1/2" Hex Head Sheet Metal Screws (bracket to column)
3	2	Mounting Brackets
4	8	M4x0.7x5 Pan Head Machine Screws (bracket to height rod)
5	3	Cable Clip

1. Align a mounting bracket with the holes in the height rod (near headpiece) and install four (4) M4x0.7x4 Pan Head Machine screws to secure the bracket to the height rod.
2. Next, align the other mounting bracket with the lower holes in the height rod and install four (4) M4x0.7x4 Pan Head Machine screws to secure the bracket to the height rod.
3. Align the mounting bracket (near the headpiece) with the holes in the back of the column close to the display and install two (2) #10x1/2" Hex Head Sheet Metal screws to secure the bracket to the column.
4. Align the holes in the other bracket with the lower holes in the column and install two (2) #10x1/2" Hex Head Sheet Metal screws to secure the bracket to the column.
5. Connect the cable from the DHR to the port on the rear of the indicator that is labeled height rod routing the cable as shown in Detail B. For additional information;

Refer to the MedVue MV1 Owner's Manual (8555-M512-O1) for the 6854DHR or 6857DHR.

Refer to the MedVue MV2 Owner's Manual (8555-0530-0M) for the 6854KGEUDHR or 6857KGEUDHR



DIGITAL HEIGHT ROD INSTRUCTIONS, CONT.

Measuring Patient's Height



Before performing the operations on this page, the digital height rod must be in its “starting position” (inner sliding tube must be down completely inside outer stationary tube and headpiece folded flat against stationary tube) prior to turning on the indicator. Otherwise, the error message 999.9 will be displayed.

1. Make sure height rod is in starting position.
2. Press **ON/OFF** key to turn indicator on.
3. Press **ZERO** key to zero weight display. ZERO, GROSS and lb, oz, kg or ST annunciator will turn on to show scale is ready for use. Note that height reading will show 3-7.3 FT-INCHES or 110.0 cm (depending on Unit setting in Setup).
4. Patient may now step onto scale platform.
5. Grasp height rod at hinge pin and raise it well above patient's head and then lift headpiece to horizontal position. Carefully lower height rod until headpiece rests on top of patient's head.

NOTE: If the patient is under 3 ft., 7.3 in (110 cm) or over 6 ft., 7.1 in (201 cm) return the digital height rod to the “starting position” and manually* enter the patient's height.

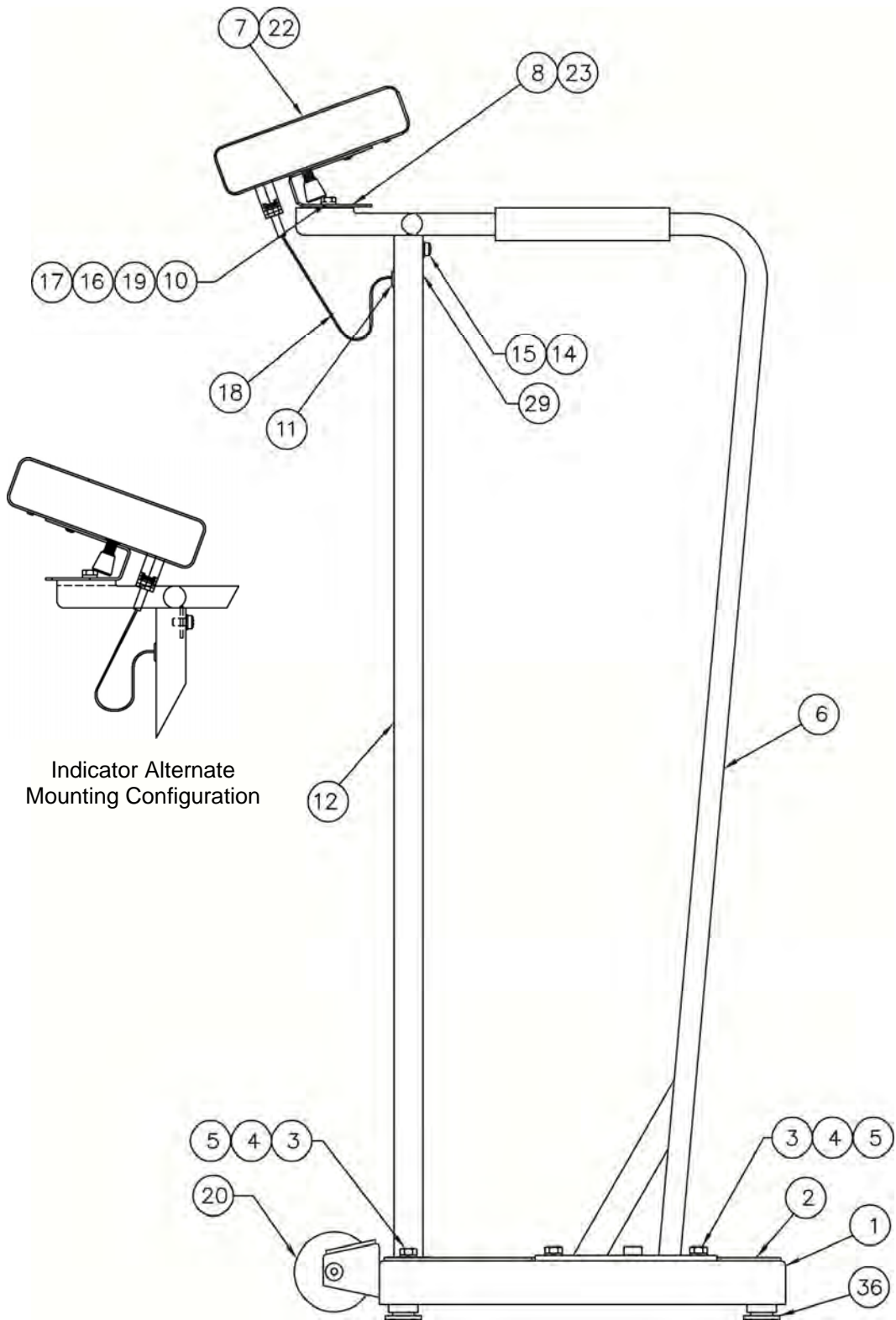
6. BMI will automatically be displayed with height.
7. Read weight, height and BMI displays.
8. While holding headpiece horizontal, raise height rod well above patient's head.
9. Patient may now step off scale platform.
10. Return height rod to starting position.
11. BMI display will clear when weight returns to zero.



Grasp at Hinge Pin

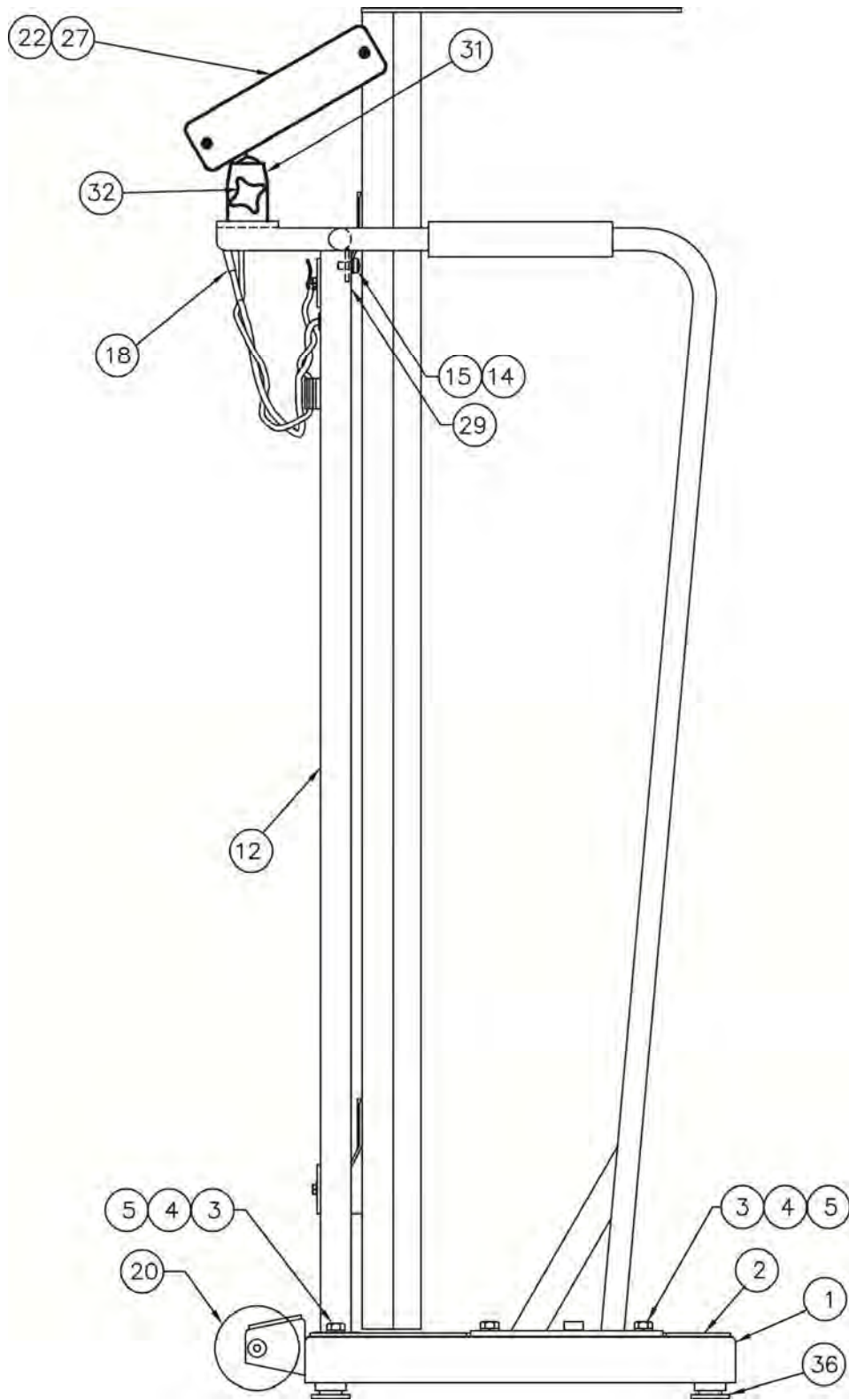
PART IDENTIFICATION

6855 Side View



PART IDENTIFICATION, CONT.

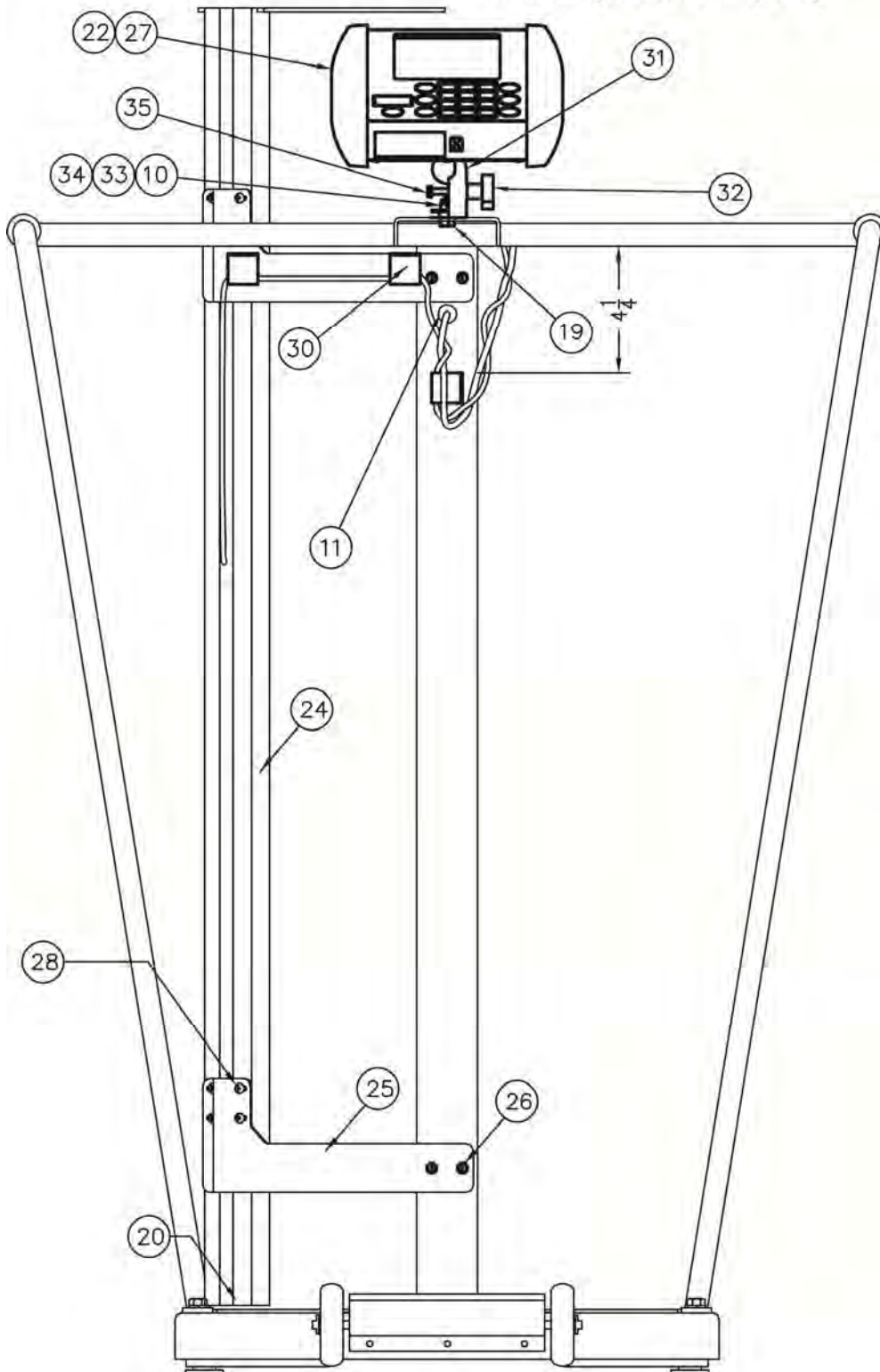
6854DHR Side View



PART IDENTIFICATION, CONT.

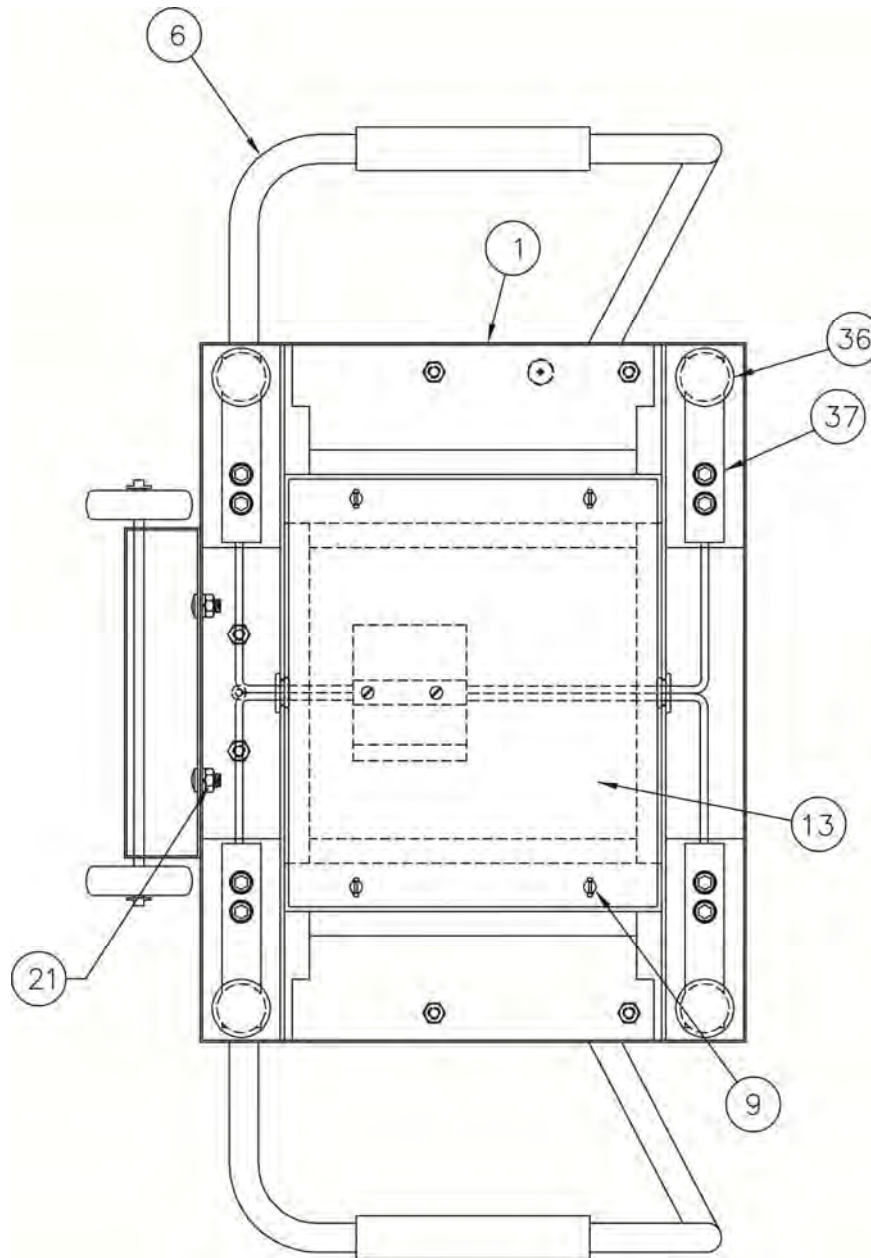
6854DHR Back View

VIEW SHOWN W/ ONE LESS MOUNT (ITEM 31)



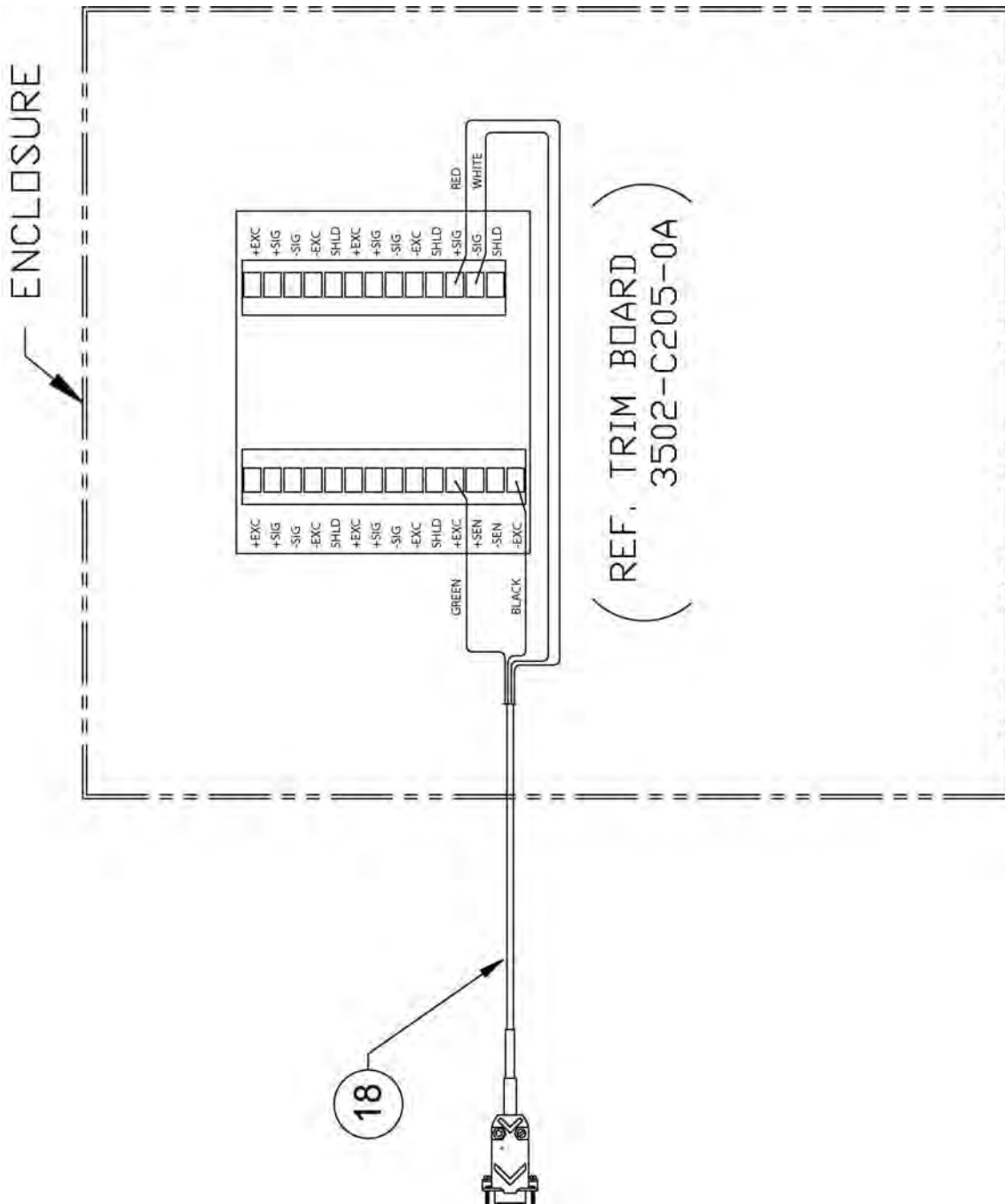
PART IDENTIFICATION, CONT.

6855/6854DHR Bottom View



PART IDENTIFICATION, CONT.

6855/6854DHR Trim Board



PART IDENTIFICATION, CONT.

6855/6854DHR Parts List

The following are used on ALL models:

ITEM #	QTY	PART NUMBER	DESCRIPTION
1	1	1930-D330-0A	WEIGHBRIDGE ASSY
2	1	1930-C338-08	MAT W/ADHESIVE
3	6	6007-0034	HEX HEAD SCREW 5/16-18 UNC-2A X 3/4"
4	6	6024-0050	LOCK WASHER 5/16"
5	6	6013-0275	HEX NUT 5/16-18 UNC-2B
6	1	1930-C143-0A	HANDRAIL ASSEMBLY
9	4	6021-0665	MACHINE SCREW #6-32 X .375 PAN HD PHILLIP DR
10	1	391RV204	ELASTIC STOP NUT
11	1	6680-1043	GROMMET
12	1	1930-B336-1A	COLUMN ASSEMBLY
13	1	1930-C337-08	COVER
14	1	6024-0047	EXT STAR WASHER 1/4"
15	1	6021-1423	TRUSS HEAD SCREW 1/4-20 UNC-2A X 1/2"
16	1	0033-B110-08	UHMW DISK
17	1	6024-0004	FLAT WASHER 1/4" DIA SS
18	1	1930-B428-0A	CABLE
19	1	6021-1454	HEX HEAD BOLT 1/4-20 UNC-2A X 3/4"
20	1	0033-C090-0A	WHEEL ASSY.
21	2	6013-0045	HEX NUT 1/4-20 UNC
29	1	6650-0087	LABEL, MADE IN USA (WITH FLAG)
36	4	0065-B108-08	FOOT, ALUMINUM
37	4	LFB-250M	LOAD CELL, SHEAR BEAM, 125 KG, SS

The following are used ONLY on the 6855:

7	REF	750	DIGITAL INDICATOR
8	1	0033-B438-0A	MTG BRKT ASSY – 750

The following is used ONLY on the 6855KGEU:

22	REF	MV2	DIGITAL INDICATOR
----	-----	-----	-------------------

The following are used ONLY on the 6854DHR:

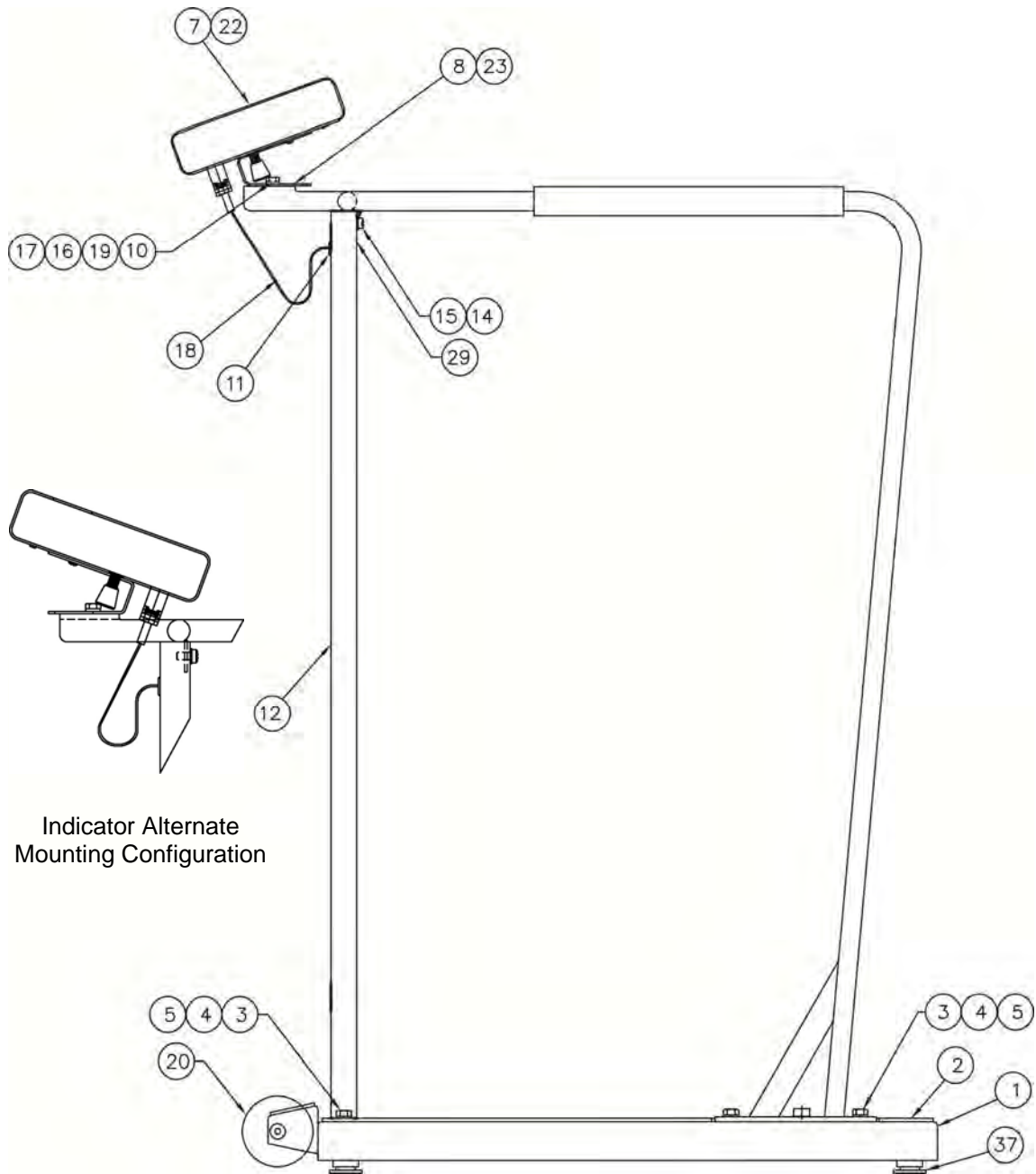
24	1	DHR	DETECTO DIGITAL HEIGHT ROD
25	2	1930-C475-08	DHR BRACKET
26	4	6021-1629	SCW HX-HD. COMBO SHEET-METAL #10 X 3/4
27	REF	MV1	WEIGHT INDICATOR FOR CLINICAL SCALES
28	8	6021-1556	SCW PAN-HEAR MACHINE-SCW M4X0.7X5, PHILLIPS DRIVE, Z/P
30	3	6610-5007	CABLE CLIP, 1" X 1" GREY

The following are used on both the 6855KGEU and 6854DHR:

31	2	8555-C508-08	MOUNT
32	1	6540-1053	ENCLOSURE KNOB 1.25 DIA, 10-32 INSERT
33	1	6680-0250	SPACER, NYLON .26 ID X .50 OD X .187 LG
34	1	6024-1066	FLAT WASHER 1/4 X 1 X 1/16 THK Z/P
35	1	6021-0950	SCW HEX-HEAD 10-32 X 1.50 Z/P

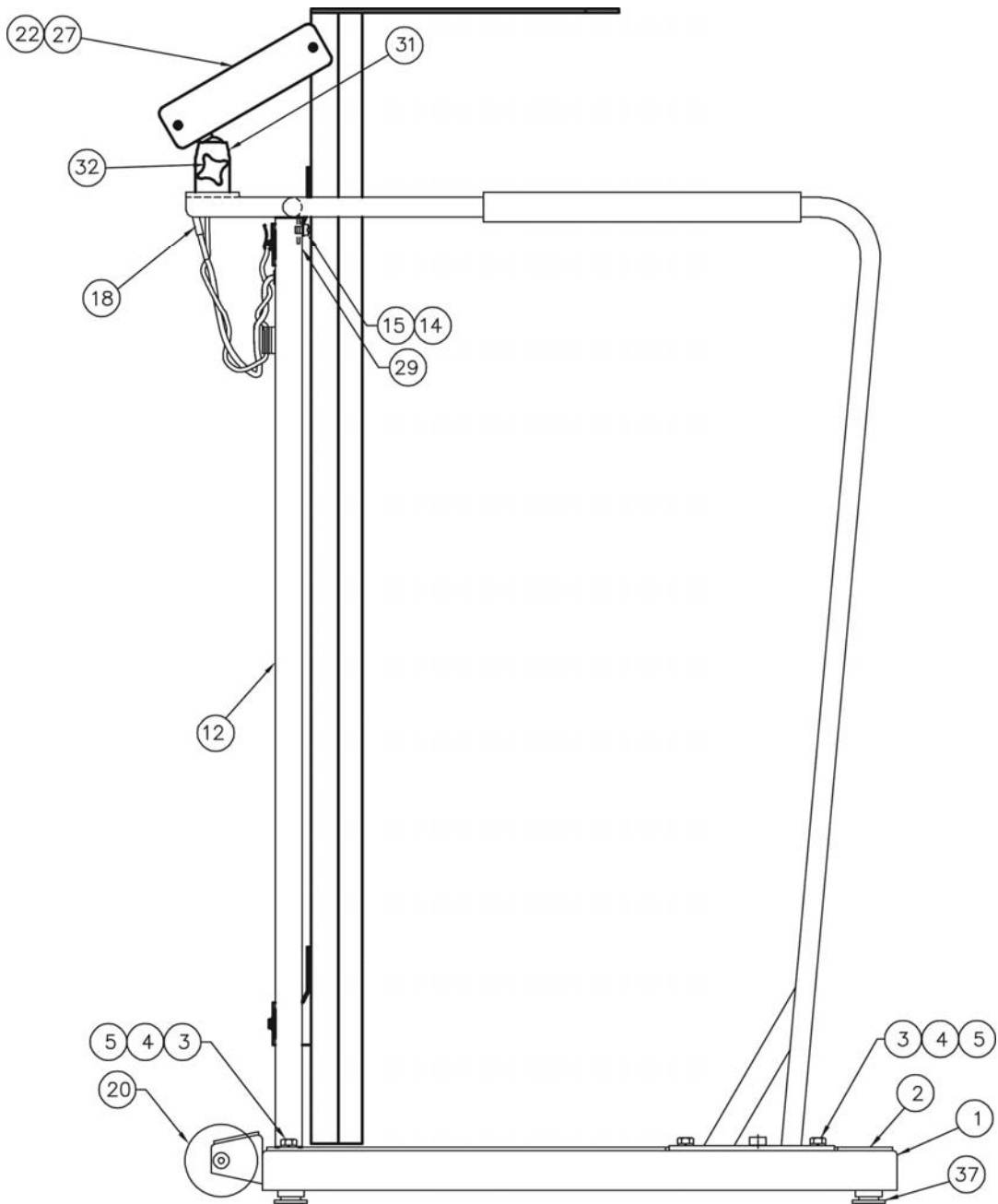
PART IDENTIFICATION

6856 Side View



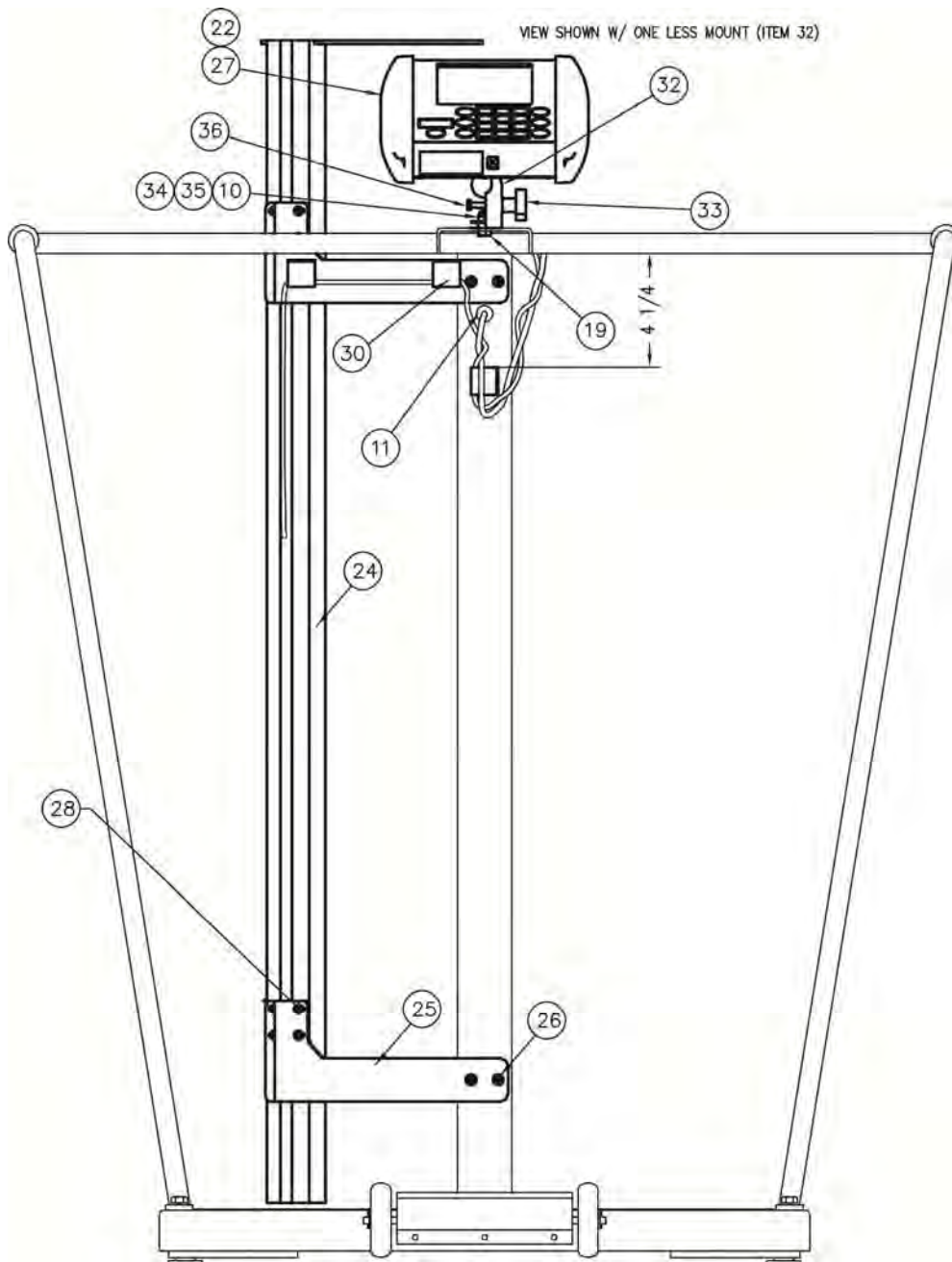
PART IDENTIFICATION, CONT.

6857DHR Side View



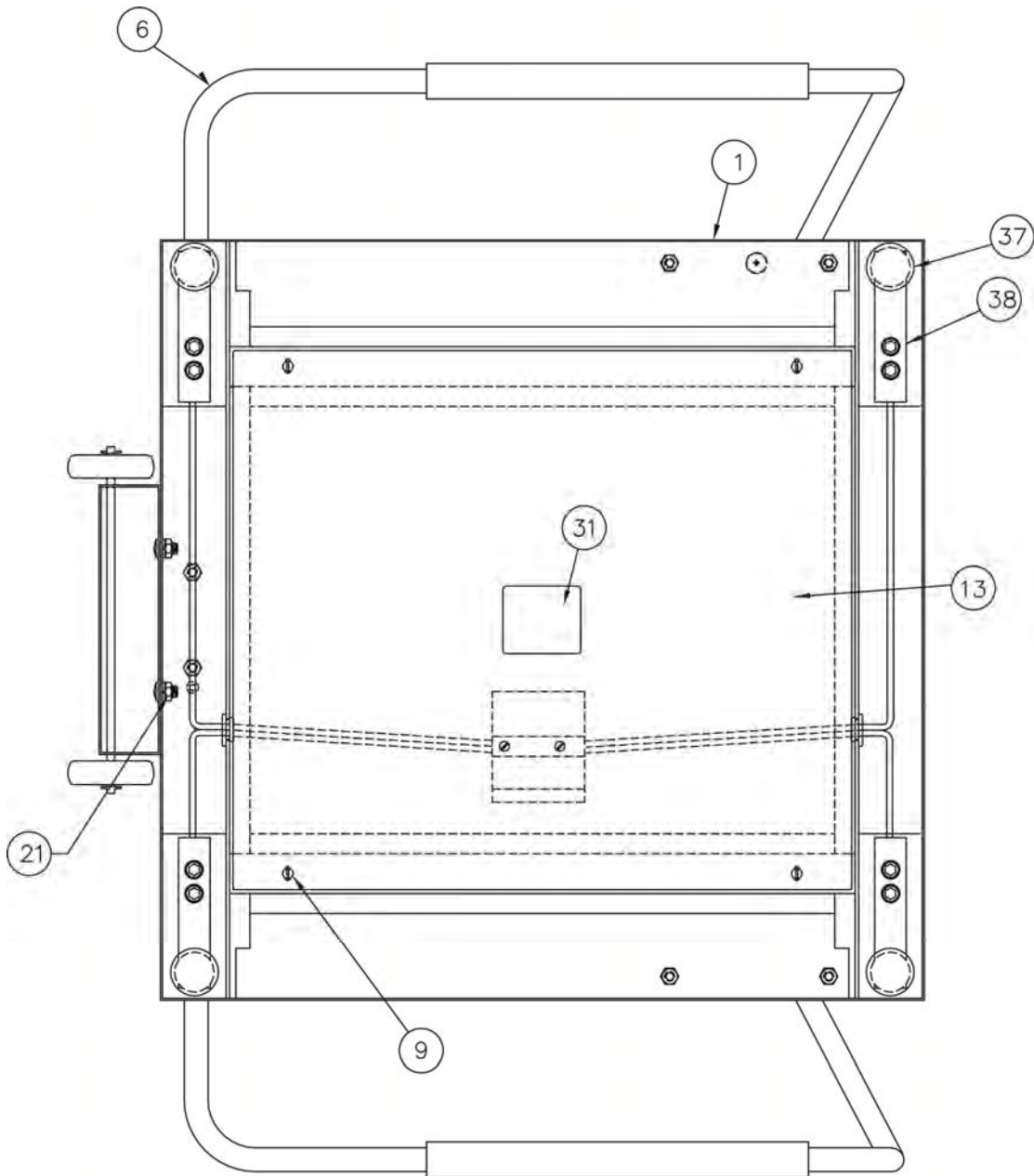
PART IDENTIFICATION, CONT.

6857DHR Back View



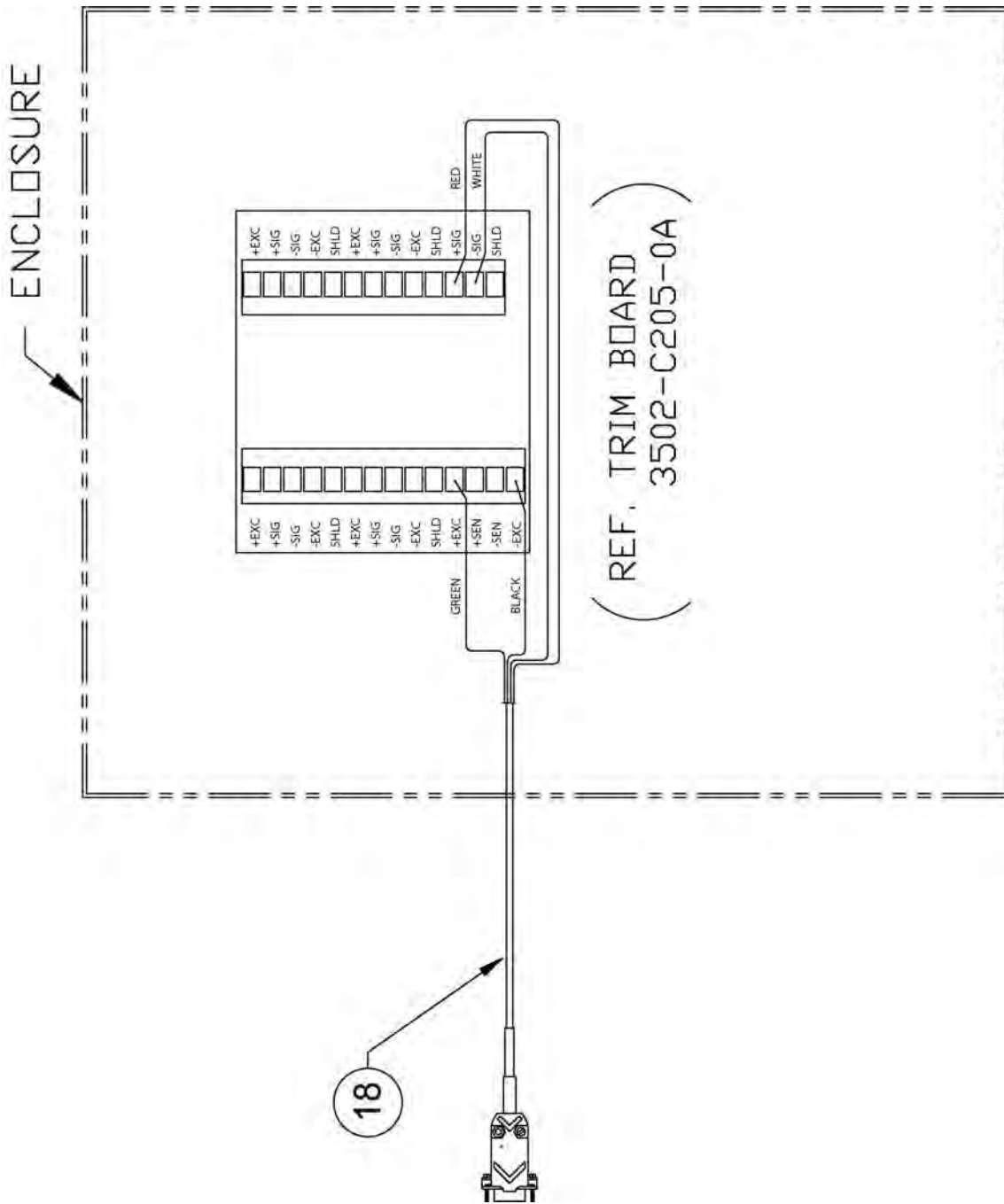
PART IDENTIFICATION, CONT.

6856/6857DHR Bottom View



PART IDENTIFICATION, CONT.

6856/6857DHR Trim Board



PART IDENTIFICATION, CONT.

6856/6857DHR Parts List

The following are used on ALL models:

ITEM #	QTY	PART NUMBER	DESCRIPTION
1	1	1930-D445-0A	WEIGHBRIDGE ASSY
2	1	1930-C452-08	MAT W/ADHESIVE
3	6	6007-0034	HEX HEAD SCREW 5/16-18 UNC-2A X 3/4"
4	6	6024-0050	LOCK WASHER 5/16"
5	6	6013-0275	HEX NUT 5/16-18 UNC-2B
6	1	1930-C450-0A	HANDRAIL ASSEMBLY
9	4	6021-0665	MACHINE SCREW #6-32 X .375 PAN HD PHILLIP DR
10	1	391RV204	ELASTIC STOP NUT
11	1	6680-1043	GROMMET
12	1	1930-B336-1A	COLUMN ASSEMBLY
13	1	1930-C451-08	COVER
14	1	6024-0047	EXT STAR WASHER 1/4"
15	1	6021-2037	BINDING HD SCW .25-20 X .50
16	1	0033-B110-08	UHMW DISK
17	1	6024-0004	FLAT WASHER 1/4" DIA SS
18	1	1930-B428-0A	CABLE
19	1	6021-1454	HEX HEAD BOLT 1/4-20 UNC-2A X 3/4"
20	1	0033-C090-0A	WHEEL ASSY.
21	2	6013-0045	HEX NUT 1/4-20 UNC
29	REF	5930-B137-08	LABEL
37	4	0065-B108-08	FOOT, ALUMINUM
38	4	LFB-250M	LOAD CELL, SHEAR BEAM, 125 KG, SS

The following are used ONLY on the 6856:

7	REF	750	DIGITAL INDICATOR
8	1	0033-B438-OA	MTG BRKT ASSY – 750

The following is used ONLY on the 6856KGEU:

22	REF	MV2	DIGITAL INDICATOR
----	-----	-----	-------------------

The following are used ONLY on the 6857DHR:

24	1	DHR	DETECTO DIGITAL HEIGHT ROD
25	2	1930-C475-08	DHR BRACKET
26	4	6021-1629	SCW HX-HD. COMBO SHEET-METAL #10 X 3/4
27	REF	MV1	WEIGHT INDICATOR FOR CLINICAL SCALES
28	8	6021-1556	SCW PAN-HEAR MACHINE-SCW M4X0.7X5, PHILLIPS DRIVE, Z/P
30	3	6610-5007	CABLE CLIP, 1" X 1" GREY

The following are used on both the 6856KGEU and 6857DHR:

31	REF	593GR986	SERIAL TAG
32	2	8555-C508-08	MOUNT
33	1	6540-1053	ENCLOSURE KNOB 1.25 DIA, 10-32 INSERT
34	1	6680-0250	SPACER, NYLON .26 ID X .50 OD X .187 LG
35	1	6024-1066	FLAT WASHER 1/4 X 1 X1 1/16 THK Z/P
36	1	6021-0950	SCW HEX-HEAD 10-32 X 1.50 Z/P

STATEMENT OF LIMITED WARRANTY

Detecto Scale warrants its equipment to be free from defects in material and workmanship as follows: Detecto warrants to the original purchaser only that it will repair or replace any part of equipment which is defective in material or workmanship for a period of two **(2) years from date of shipment**. Detecto shall be the sole judge of what constitutes a defect.

During the **first ninety (90) days** Detecto may choose to replace the product at no charge to the buyer upon inspection of the returned item.

After the first ninety (90) days, upon inspection of the returned item, Detecto will repair or replace it with a remanufactured product. The customer is responsible for paying for the freight both ways.

This warranty does not apply to peripheral equipment not manufactured by Detecto; this equipment will be covered by certain manufacturer's warranty only.

This warranty does not include replacement of expendable or consumable parts. This does not apply to any item which has deteriorated or damaged due to wear, accident, misuse, abuse, improper line voltage, overloading, theft, lightning, fire, water or acts of God, or due to extended storage or exposure while in purchaser's possession. This warranty does not apply to maintenance service. Purchased parts will have a ninety (90) day repair or replacement warranty only.

Detecto may require the suspect product to be returned to the factory; item(s) must be properly packed and shipping charges prepaid. A return authorization number must be obtained for all returns and marked on the outside of all returned packages. Detecto accepts no responsibility for loss or damage in transit.

STATEMENT OF LIMITED WARRANTY

Conditions Which Void Limited Warranty

This warranty shall not apply to equipment which:

- A.) Has been tampered with, defaced, mishandled or has had repairs and modifications not authorized by Detecto.
- B.) Has had serial number altered, defaced, or removed.
- C.) Has not been grounded according to Detecto's recommended procedure.

Freight Carrier Damage

Claims for equipment damaged in transit must be referred to the freight carrier in accordance with freight carrier regulations.

This warranty sets forth the extent of our liability for breach of any warranty or deficiency in connection with the sale or use of the product. Detecto will not be liable for consequential damages of any nature, including but not limited to, loss of profit, delays or expenses, whether based on tort or contract. Detecto reserves the right to incorporate improvements in material and design without notice and is not obligated to incorporate improvements in equipment previously manufactured.

The foregoing is in lieu of all other warranties, express or implied including any warranty that extends beyond the description of the product including any warranty of merchantability or fitness for a particular purpose. This warranty covers only those Detecto products installed in the forty-eight (48) contiguous continental United States.



08/27/2014
Printed in USA
D268-WARRANTY-DET-A