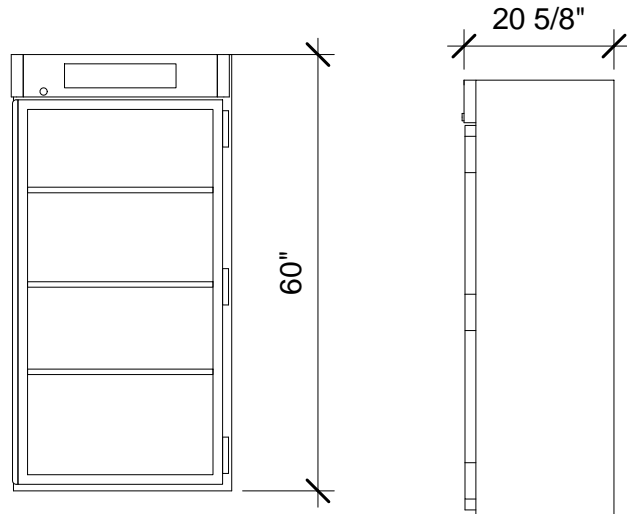
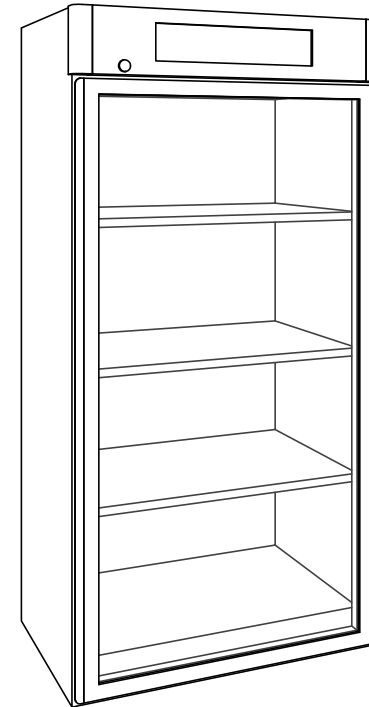


30"W x 20-5/8"D x 60"H  
 CUBIC CAPACITY 13.22 CU/FT  
 SHELVES (3)  
 120V, 750W, 7.5A  
 WIFI READY  
 ENERGY SAVING MODE



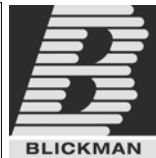
NEMA 5-15P  
 15A - 125V PLUG  
 HOSPITAL GRADE



PO#: \_\_\_\_\_ DATE: \_\_\_\_\_

APPROVAL: \_\_\_\_\_

TITLE: \_\_\_\_\_



PROPRIETARY AND CONFIDENTIAL  
 THE INFORMATION CONTAINED IN THIS  
 DRAWING IS THE SOLE PROPERTY OF  
 BLICKMAN HEALTH INDUSTRIES. ANY  
 REPRODUCTION IN PART OR AS A WHOLE  
 WITHOUT THE WRITTEN PERMISSION OF  
 BLICKMAN HEALTH INDUSTRIES IS PROHIBITED.

UNLESS OTHERWISE SPECIFIED:  
 DIMENSIONS ARE IN INCHES  
 BEND RADIUS = MTL. THK.  
 TOLERANCES:  
 FRACTION: ± 1/32"  
 DECIMAL: ± .031"

	NAME	DATE
DRAWN	JG	4-16-12
ENG APPR.		
MATERIAL		
FINISH		
APPRX WEIGHT = lbs		
DO NOT SCALE DRAWING		

BLICKMAN HEALTH INDUSTRIES, INC. LODI, N.J.		
TITLE: <b>SW30TG</b> <b>BLANKET WARMER</b>		
SIZE <b>A</b>	DWG. NO. <b>14BSW30243</b>	REV
SCALE: 1:16	SHEET 1 OF 1	

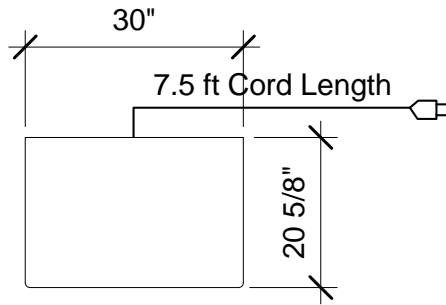
5

4

3

2

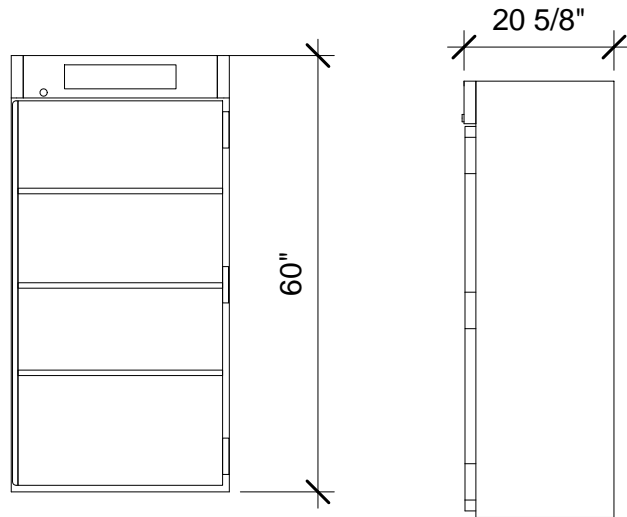
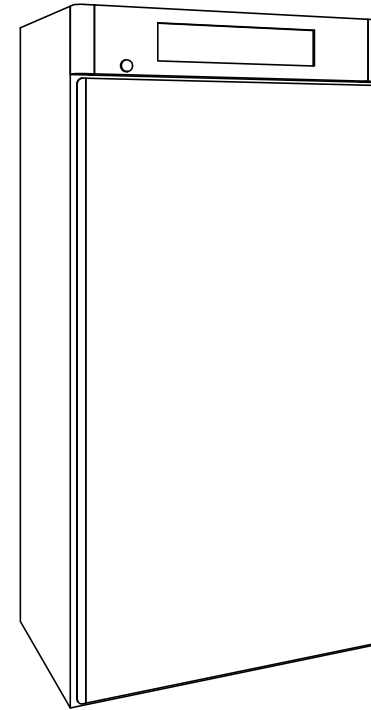
1



30"W x 20-5/8"D x 60"H  
 CUBIC CAPACITY 13.22 CU/FT  
 SHELVES (3)  
 120V, 750W, 7.5A  
 WIFI READY  
 ENERGY SAVING MODE



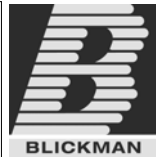
NEMA 5-15P  
 15A - 125V PLUG  
 HOSPITAL GRADE



PO#: \_\_\_\_\_ DATE: \_\_\_\_\_

APPROVAL: \_\_\_\_\_

TITLE: \_\_\_\_\_



	NAME	DATE
DRAWN	JG	4-16-12
ENG APPR.		
MATERIAL		

BLICKMAN HEALTH INDUSTRIES, INC.  
 LODI, N.J.

TITLE:  
**SW30TS**  
**BLANKET WARMER**

PROPRIETARY AND CONFIDENTIAL  
 THE INFORMATION CONTAINED IN THIS  
 DRAWING IS THE SOLE PROPERTY OF  
 BLICKMAN HEALTH INDUSTRIES. ANY  
 REPRODUCTION IN PART OR AS A WHOLE  
 WITHOUT THE WRITTEN PERMISSION OF  
 BLICKMAN HEALTH INDUSTRIES IS PROHIBITED.

UNLESS OTHERWISE SPECIFIED:  
 DIMENSIONS ARE IN INCHES  
 BEND RADIUS = MTL. THK.  
 TOLERANCES:  
 FRACTION: ± 1/32"  
 DECIMAL: ± .031"

FINISH

APPRX WEIGHT = lbs

DO NOT SCALE DRAWING

SIZE <b>A</b>	DWG. NO. <b>14BSW30200</b>	REV
------------------	-------------------------------	-----

SCALE: 1:16

SHEET 1 OF 1

5

4

3

2

1