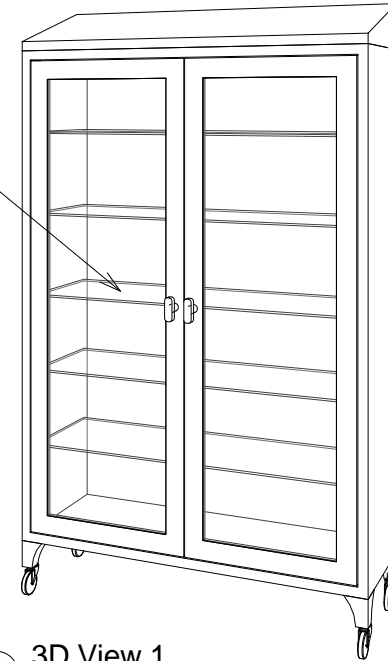


(5) GLASS SHELVES



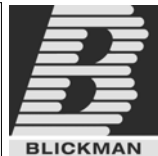
④ 3D View 1

Paul 7971SS Instrument and Supply Cabinet provides maximum storage on five polished glass or stainless steel shelves. Adjustment of shelves every 1/2". Sloping top prevents dust collection. Locking door latch secures contents. Three-inch swivel casters, two with brakes.

PO#: _____ DATE: _____

APPROVAL: _____

TITLE: _____



NAME	DATE
JG	2-8-12
ENG APPR.	
MATERIAL	
300 SERIES S/S	

BLICKMAN, INC
CLIFTON, NJ

TITLE:
PAUL 7971SS
FREE STANDING CABINET

PROPRIETARY AND CONFIDENTIAL
THE INFORMATION CONTAINED IN THIS DRAWING IS THE SOLE PROPERTY OF BLICKMAN HEALTH INDUSTRIES. ANY REPRODUCTION IN PART OR AS A WHOLE WITHOUT THE WRITTEN PERMISSION OF BLICKMAN HEALTH INDUSTRIES IS PROHIBITED.

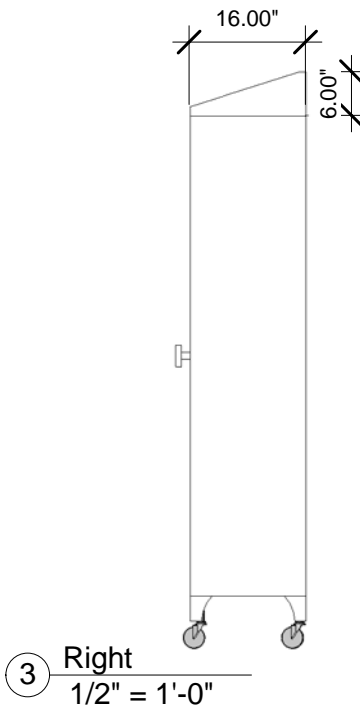
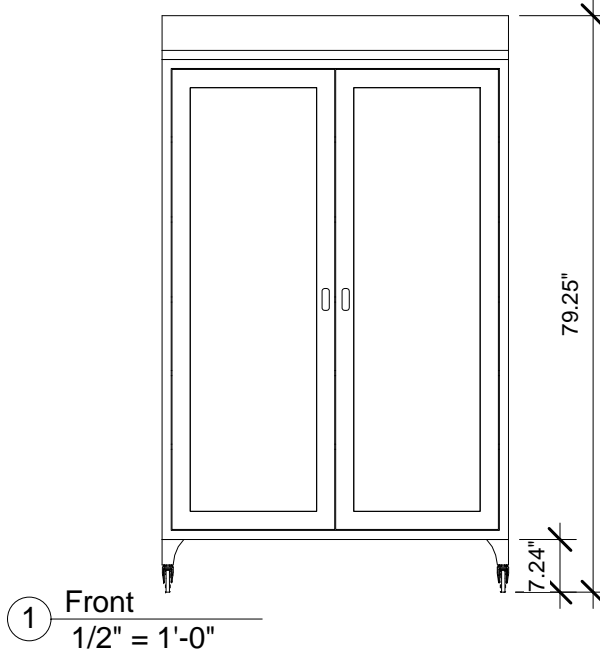
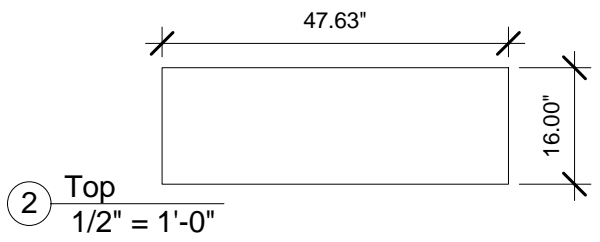
UNLESS OTHERWISE SPECIFIED:
DIMENSIONS ARE IN INCHES
BEND RADIUS = MTL THK.
TOLERANCES:
FRACTION: ± 1/32"
DECIMAL: ± .031"

FINISH

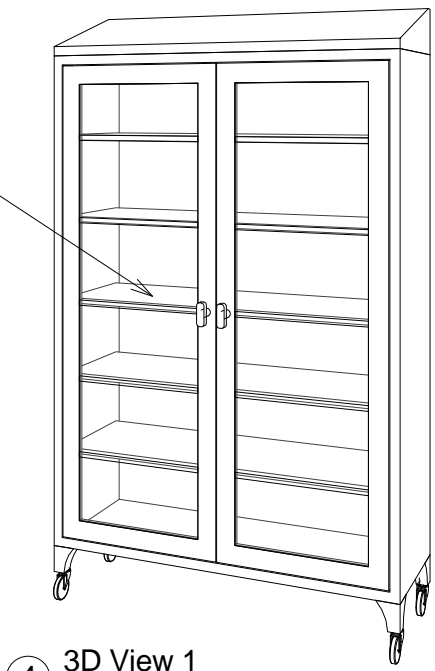
APPRX WEIGHT = lbs

DO NOT SCALE DRAWING

SIZE	DWG. NO.	REV
A	1537971000	
SCALE: 1:16	SHEET 1 OF 1	



(5) S/S SHELVES



Paul 7971SS Instrument and Supply Cabinet provides maximum storage on five polished glass or stainless steel shelves. Adjustment of shelves every 1/2". Sloping top prevents dust collection. Locking door latch secures contents. Three-inch swivel casters, two with brakes.

PO#: _____ DATE: _____

APPROVAL: _____

TITLE: _____



NAME	DATE
JG	2-8-12
ENG APPR.	
MATERIAL	
300 SERIES S/S	
FINISH	
APPRX WEIGHT = lbs	
DO NOT SCALE DRAWING	

BLICKMAN, INC CLIFTON, NJ		
TITLE: PAUL 7971SS-1		
FREE STANDING CABINET		
SIZE	DWG. NO.	REV
A	1537971002	
SCALE: 1:16	SHEET 1 OF 1	

PROPRIETARY AND CONFIDENTIAL
THE INFORMATION CONTAINED IN THIS DRAWING IS THE SOLE PROPERTY OF BLICKMAN HEALTH INDUSTRIES. ANY REPRODUCTION IN PART OR AS A WHOLE WITHOUT THE WRITTEN PERMISSION OF BLICKMAN HEALTH INDUSTRIES IS PROHIBITED.

UNLESS OTHERWISE SPECIFIED:
DIMENSIONS ARE IN INCHES
BEND RADIUS = MTL THK.
TOLERANCES:
FRACTION: ± 1/32"
DECIMAL: ± .031"