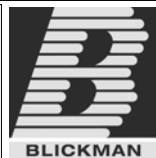


MODELS 7959SS and 7960SS (WALTER) CABINETS are for storing endoscopy equipment, large instruments or other equipment on its removable stainless pegboard. Sloping top prevents dust collection. Choose from solid stainless steel doors or glass doors (shown).

PO#: \_\_\_\_\_ DATE: \_\_\_\_\_

APPROVAL: \_\_\_\_\_

TITLE: \_\_\_\_\_



	NAME	DATE
DRAWN	JG	2-8-12
ENG APPR.		

MATERIAL  
300 SERIES S/S

FINISH

APPRX WEIGHT = lbs

DO NOT SCALE DRAWING

BLICKMAN, INC  
CLIFTON, NJ

TITLE:  
**WALTER 7959SS**

**FREE STANDING CABINET**

SIZE	DWG. NO.	REV
<b>A</b>	1537959000	

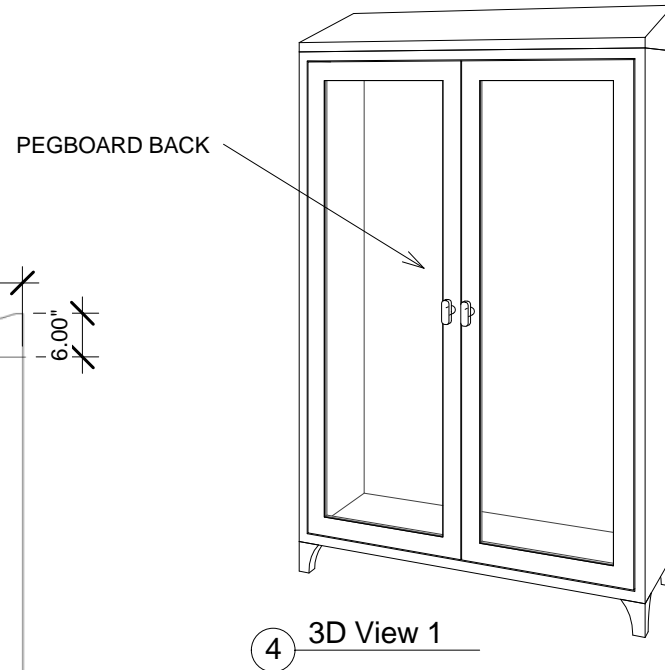
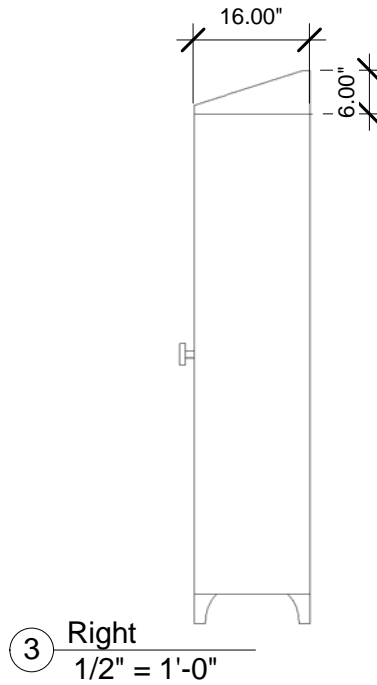
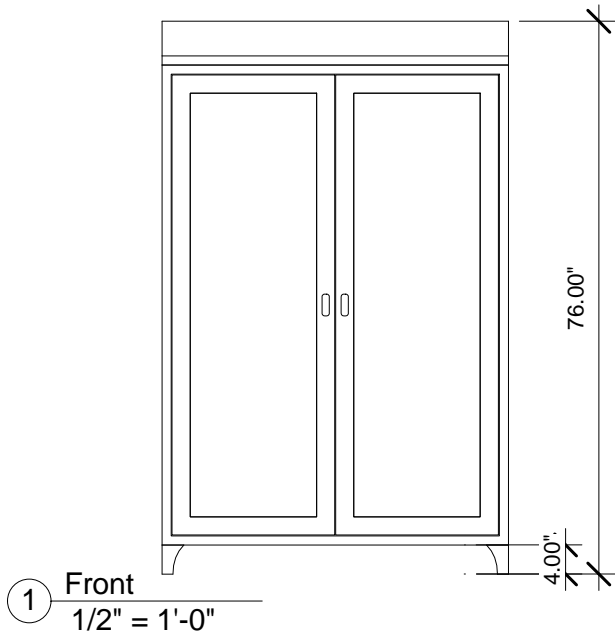
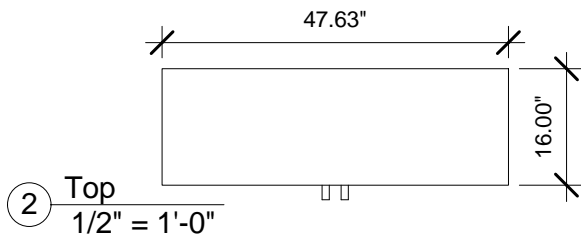
SCALE: 1:16

SHEET 1 OF 1

PROPRIETARY AND CONFIDENTIAL  
THE INFORMATION CONTAINED IN THIS DRAWING IS THE SOLE PROPERTY OF BLICKMAN HEALTH INDUSTRIES. ANY REPRODUCTION IN PART OR AS A WHOLE WITHOUT THE WRITTEN PERMISSION OF BLICKMAN HEALTH INDUSTRIES IS PROHIBITED.

UNLESS OTHERWISE SPECIFIED:  
DIMENSIONS ARE IN INCHES  
BEND RADIUS = MTL THK.

TOLERANCES:  
FRACTION: ± 1/32"  
DECIMAL: ± .031"

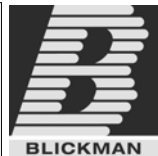


MODELS 7959SS and 7960SS (WALTER) CABINETS are for storing endoscopy equipment, large instruments or other equipment on its removable stainless pegboard. Sloping top prevents dust collection. Choose from solid stainless steel doors or glass doors (shown).

PO#: \_\_\_\_\_ DATE: \_\_\_\_\_

APPROVAL: \_\_\_\_\_

TITLE: \_\_\_\_\_



	NAME	DATE
DRAWN	JG	2-8-12
ENG APPR.		
MATERIAL		
300 SERIES S/S		
FINISH		
APPRX WEIGHT = lbs		
DO NOT SCALE DRAWING		

BLICKMAN, INC CLIFTON, NJ		
TITLE: WALTER 7960SS		
FREE STANDING CABINET		
SIZE	DWG. NO.	REV
A	1537960000	
SCALE: 1:16		SHEET 1 OF 1

PROPRIETARY AND CONFIDENTIAL  
THE INFORMATION CONTAINED IN THIS DRAWING IS THE SOLE PROPERTY OF BLICKMAN HEALTH INDUSTRIES. ANY REPRODUCTION IN PART OR AS A WHOLE WITHOUT THE WRITTEN PERMISSION OF BLICKMAN HEALTH INDUSTRIES IS PROHIBITED.

UNLESS OTHERWISE SPECIFIED:  
DIMENSIONS ARE IN INCHES  
BEND RADIUS = MTL THK.  
TOLERANCES:  
FRACTION: ± 1/32"  
DECIMAL: ± .031"