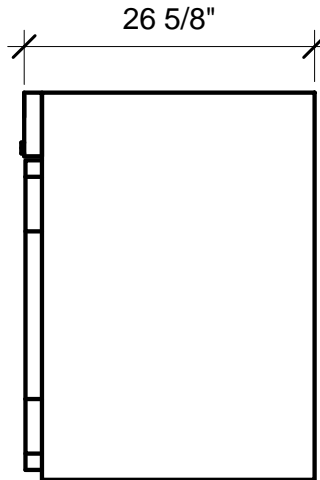
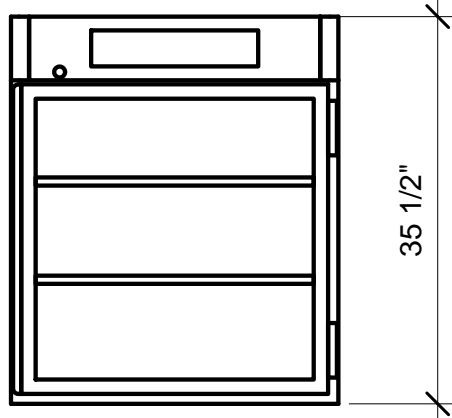
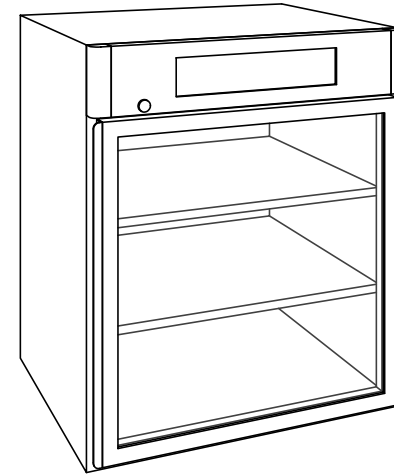


30"W x 26-5/8"D x 35-1/2"H
 CUBIC CAPACITY 9.02 CU/FT
 SHELVES (2)
 120V, 750W, 7.5A
 WIFI READY
 ENERGY SAVING MODE



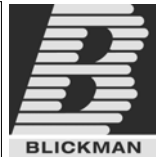
NEMA 5-15P
 15A - 125V PLUG
 HOSPITAL GRADE



PO#: _____ DATE: _____

APPROVAL: _____

TITLE: _____



PROPRIETARY AND CONFIDENTIAL
 THE INFORMATION CONTAINED IN THIS
 DRAWING IS THE SOLE PROPERTY OF
 BLICKMAN HEALTH INDUSTRIES. ANY
 REPRODUCTION IN PART OR AS A WHOLE
 WITHOUT THE WRITTEN PERMISSION OF
 BLICKMAN HEALTH INDUSTRIES IS PROHIBITED.

UNLESS OTHERWISE SPECIFIED:
 DIMENSIONS ARE IN INCHES
 BEND RADIUS = MTL. THK.
 TOLERANCES:
 FRACTION: ± 1/32"
 DECIMAL: ± .031"

	NAME	DATE
DRAWN	JG	4-16-12
ENG APPR.		
MATERIAL		
FINISH		
APPRX WEIGHT = lbs		
DO NOT SCALE DRAWING		

BLICKMAN HEALTH INDUSTRIES, INC. LODI, N.J.		
TITLE: 7922TG BLANKET WARMER		
SIZE A	DWG. NO. 14B7922243	REV
SCALE: 1:16	SHEET 1 OF 1	

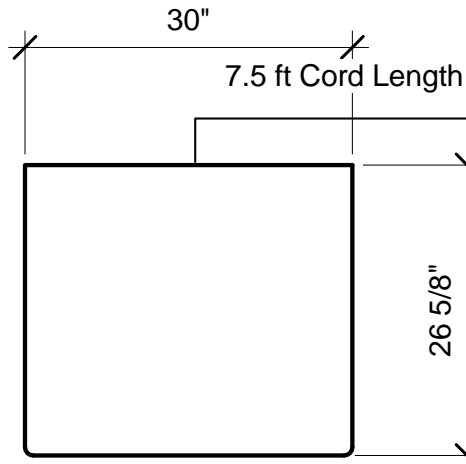
5

4

3

2

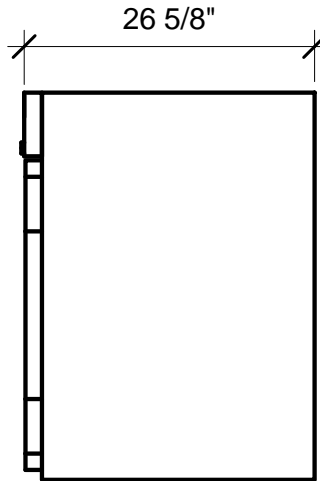
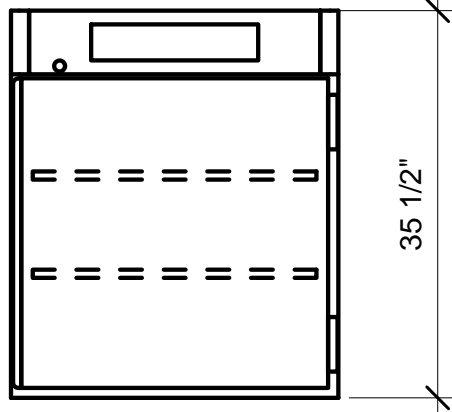
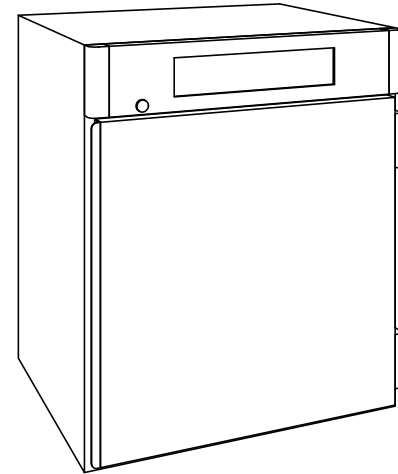
1



30"W x 26-5/8"D x 35-1/2"H
 CUBIC CAPACITY 9.02 CU/FT
 SHELVES (2)
 120V, 750W, 7.5A
 WIFI READY
 ENERGY SAVING MODE



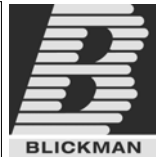
NEMA 5-15P
 15A - 125V PLUG
 HOSPITAL GRADE



PO#: _____ DATE: _____

APPROVAL: _____

TITLE: _____



PROPRIETARY AND CONFIDENTIAL
 THE INFORMATION CONTAINED IN THIS
 DRAWING IS THE SOLE PROPERTY OF
 BLICKMAN HEALTH INDUSTRIES. ANY
 REPRODUCTION IN PART OR AS A WHOLE
 WITHOUT THE WRITTEN PERMISSION OF
 BLICKMAN HEALTH INDUSTRIES IS PROHIBITED.

UNLESS OTHERWISE SPECIFIED:
 DIMENSIONS ARE IN INCHES
 BEND RADIUS = MTL. THK.
 TOLERANCES:
 FRACTION: ± 1/32"
 DECIMAL: ± .031"

	NAME	DATE
DRAWN	JG	4-16-12
ENG APPR.		
MATERIAL		
FINISH		
APPRX WEIGHT = lbs		
DO NOT SCALE DRAWING		

BLICKMAN HEALTH INDUSTRIES, INC. LODI, N.J.		
TITLE: 7922TS BLANKET WARMER		
SIZE A	DWG. NO. 14B7922200	REV
SCALE: 1:16	SHEET 1 OF 1	

5

4

3

2

1