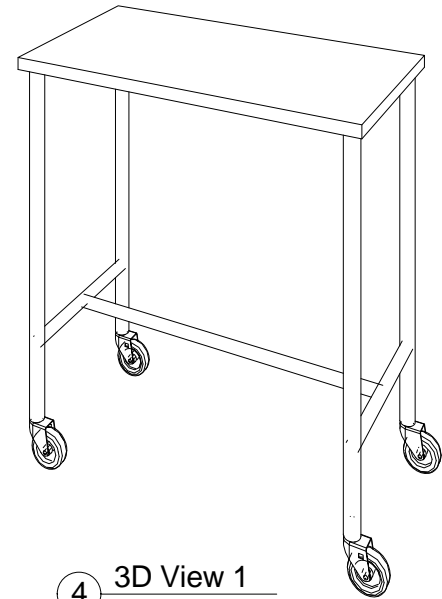
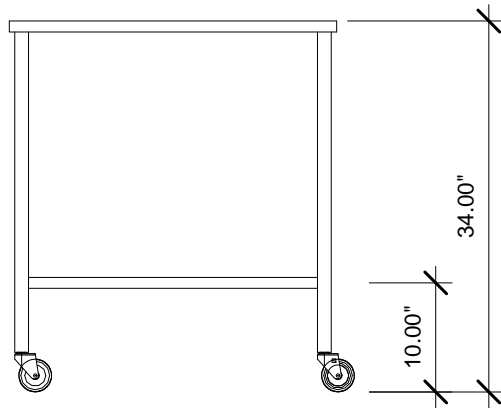


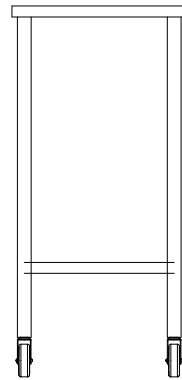
1 Top
3/4" = 1'-0"



4 3D View 1



2 Front
3/4" = 1'-0"



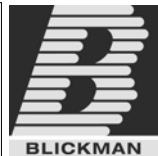
3 Right
3/4" = 1'-0"

ALL 304 S/S CONSTRUCTION
(4) 3" DIAMETER SWIVEL CASTERS
(2) W/BRAKES

PO#: _____ DATE: _____

APPROVAL: _____

TITLE: _____



	NAME	DATE
DRAWN	JG	7/10/12
ENG APPR.		
MATERIAL		

BLICKMAN, INC
CLIFTON, NJ

TITLE: 7839SS

SAWYER

PROPRIETARY AND CONFIDENTIAL
THE INFORMATION CONTAINED IN THIS
DRAWING IS THE SOLE PROPERTY OF
BLICKMAN HEALTH INDUSTRIES. ANY
REPRODUCTION IN PART OR AS A WHOLE
WITHOUT THE WRITTEN PERMISSION OF
BLICKMAN HEALTH INDUSTRIES IS PROHIBITED.

UNLESS OTHERWISE SPECIFIED:
DIMENSIONS ARE IN INCHES
BEND RADIUS = MTL. THK.

TOLERANCES:
FRACTION: ± 1/32"
DECIMAL: ± .031"

FINISH

APPRX WEIGHT = lbs

DO NOT SCALE DRAWING

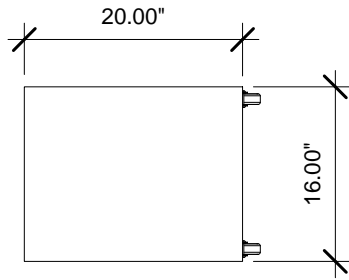
SIZE
A

DWG. NO.
0127839000

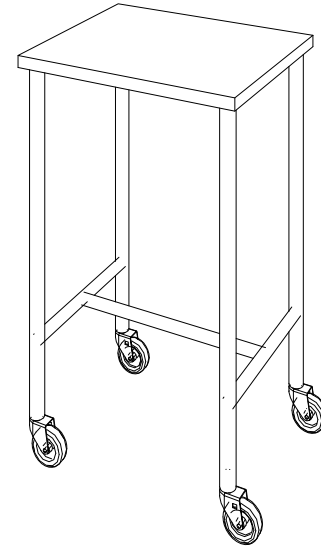
REV

SCALE: 1:16

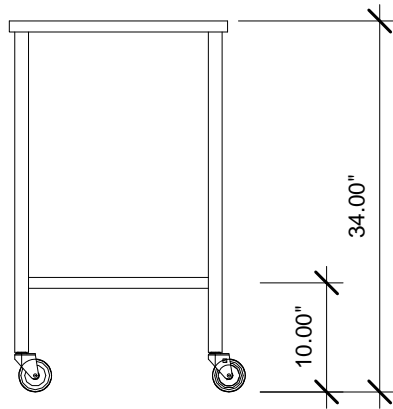
SHEET 1 OF 1



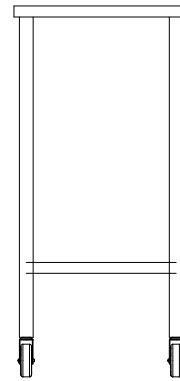
① Top
3/4" = 1'-0"



④ 3D View 1



② Front
3/4" = 1'-0"



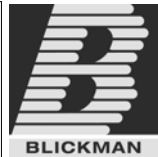
③ Right
3/4" = 1'-0"

ALL 304 S/S CONSTRUCTION
(4) 3" DIAMETER SWIVEL CASTERS
(2) W/BRAKES

PO#: _____ DATE: _____

APPROVAL: _____

TITLE: _____



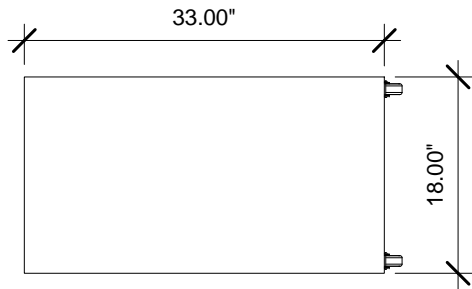
PROPRIETARY AND CONFIDENTIAL
THE INFORMATION CONTAINED IN THIS
DRAWING IS THE SOLE PROPERTY OF
BLICKMAN HEALTH INDUSTRIES. ANY
REPRODUCTION IN PART OR AS A WHOLE
WITHOUT THE WRITTEN PERMISSION OF
BLICKMAN HEALTH INDUSTRIES IS PROHIBITED.

UNLESS OTHERWISE SPECIFIED:
DIMENSIONS ARE IN INCHES
BEND RADIUS = MTL. THK.

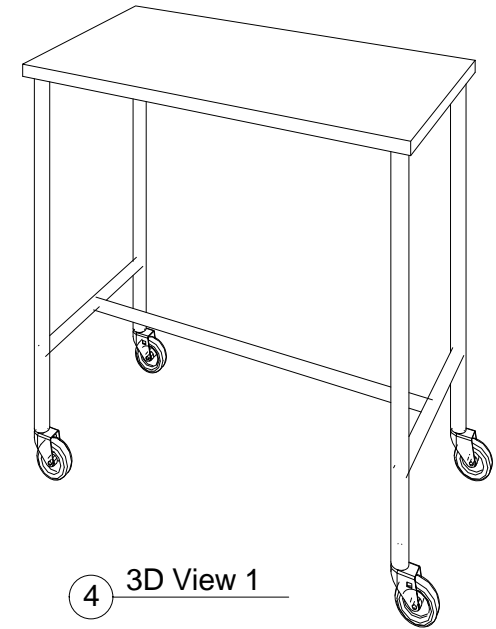
TOLERANCES:
FRACTION: ± 1/32"
DECIMAL: ± .031"

	NAME	DATE
DRAWN	JG	7/10/12
ENG APPR.		
MATERIAL		
FINISH		
APPRX WEIGHT = lbs		
DO NOT SCALE DRAWING		

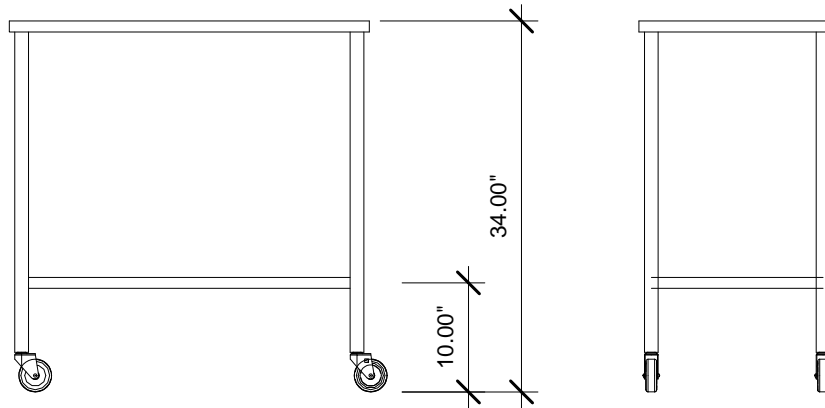
BLICKMAN, INC CLIFTON, NJ		
TITLE: 7840SS		
SAWYER		
SIZE A	DWG. NO. 0127840000	REV
SCALE: 1:16	SHEET 1 OF 1	



1 Top
3/4" = 1'-0"



4 3D View 1



2 Front
3/4" = 1'-0"

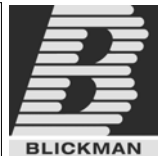
3 Right
3/4" = 1'-0"

ALL 304 S/S CONSTRUCTION
(4) 3" DIAMETER SWIVEL CASTERS
(2) W/BRAKES

PO#: _____ DATE: _____

APPROVAL: _____

TITLE: _____



	NAME	DATE
DRAWN	JG	7/10/12

ENG APPR.	
-----------	--

MATERIAL

FINISH

APPRX WEIGHT = lbs

DO NOT SCALE DRAWING

PROPRIETARY AND CONFIDENTIAL
THE INFORMATION CONTAINED IN THIS
DRAWING IS THE SOLE PROPERTY OF
BLICKMAN HEALTH INDUSTRIES. ANY
REPRODUCTION IN PART OR AS A WHOLE
WITHOUT THE WRITTEN PERMISSION OF
BLICKMAN HEALTH INDUSTRIES IS PROHIBITED.

UNLESS OTHERWISE SPECIFIED:
DIMENSIONS ARE IN INCHES
BEND RADIUS = MTL THK.

TOLERANCES:
FRACTION: ± 1/32"
DECIMAL: ± .031"

BLICKMAN, INC CLIFTON, NJ	
------------------------------	--

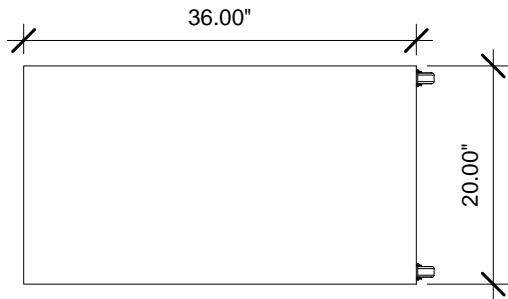
TITLE:	7841SS
--------	--------

SAWYER	
--------	--

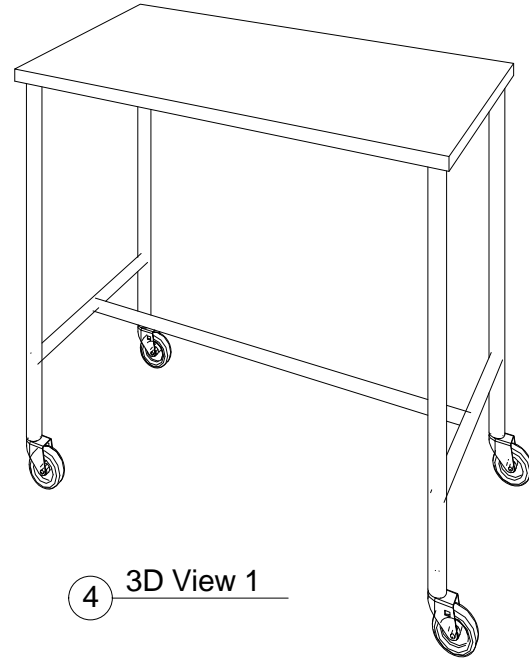
SIZE	DWG. NO.	REV
A	0127841000	

SCALE: 1:16	SHEET 1 OF 1
-------------	--------------

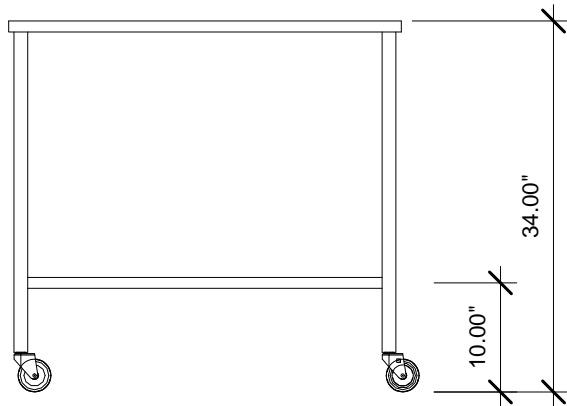
5 † 4 3 2 1



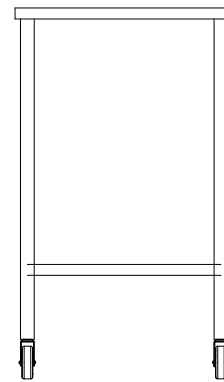
1 Top
3/4" = 1'-0"



4 3D View 1



2 Front
3/4" = 1'-0"



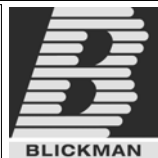
3 Right
3/4" = 1'-0"

ALL 304 S/S CONSTRUCTION
(4) 3" DIAMETER SWIVEL CASTERS
(2) W/BRAKES

PO#: _____ DATE: _____

APPROVAL: _____

TITLE: _____



	NAME	DATE
DRAWN	JG	7/10/12
ENG APPR.		
MATERIAL		

PROPRIETARY AND CONFIDENTIAL
THE INFORMATION CONTAINED IN THIS
DRAWING IS THE SOLE PROPERTY OF
BLICKMAN HEALTH INDUSTRIES. ANY
REPRODUCTION IN PART OR AS A WHOLE
WITHOUT THE WRITTEN PERMISSION OF
BLICKMAN HEALTH INDUSTRIES IS PROHIBITED.

UNLESS OTHERWISE SPECIFIED:
DIMENSIONS ARE IN INCHES
BEND RADIUS = MTL. THK.

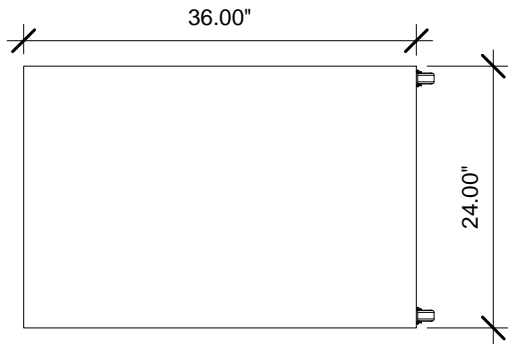
TOLERANCES:
FRACTION: ± 1/32"
DECIMAL: ± .031"

FINISH

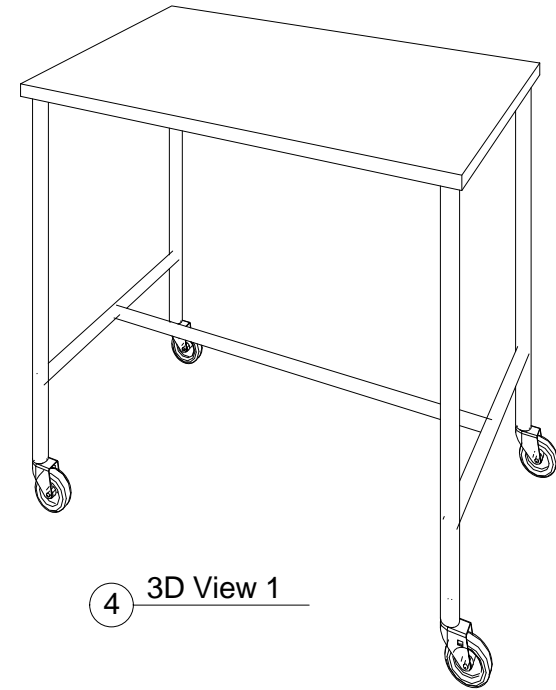
APPRX WEIGHT = lbs

DO NOT SCALE DRAWING

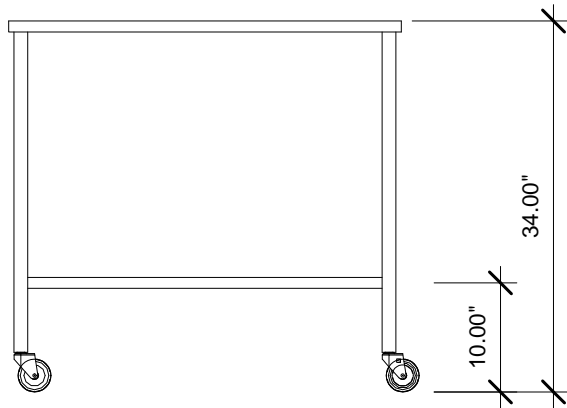
BLICKMAN, INC CLIFTON, NJ		
TITLE: 7842SS		
SAWYER		
SIZE A	DWG. NO. 0127842000	REV
SCALE: 1:16	SHEET 1 OF 1	



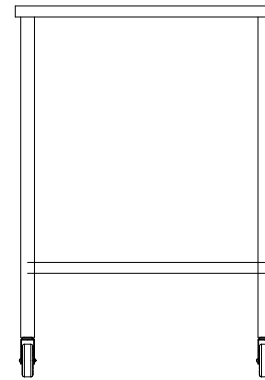
1 Top
3/4" = 1'-0"



4 3D View 1



2 Front
3/4" = 1'-0"



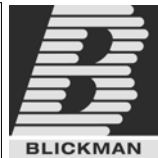
3 Right
3/4" = 1'-0"

ALL 304 S/S CONSTRUCTION
(4) 3" DIAMETER SWIVEL CASTERS
(2) W/BRAKES

PO#: _____ DATE: _____

APPROVAL: _____

TITLE: _____



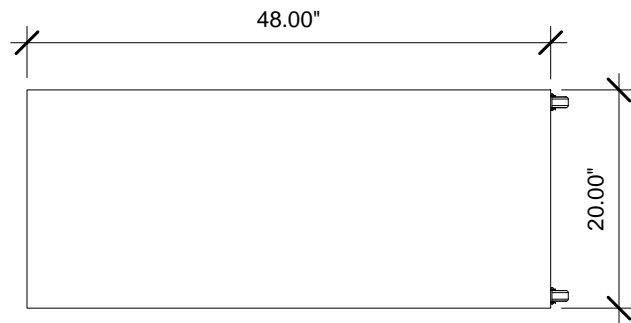
	NAME	DATE
DRAWN	JG	7/10/12
ENG APPR.		
MATERIAL		

PROPRIETARY AND CONFIDENTIAL
THE INFORMATION CONTAINED IN THIS
DRAWING IS THE SOLE PROPERTY OF
BLICKMAN HEALTH INDUSTRIES. ANY
REPRODUCTION IN PART OR AS A WHOLE
WITHOUT THE WRITTEN PERMISSION OF
BLICKMAN HEALTH INDUSTRIES IS PROHIBITED.

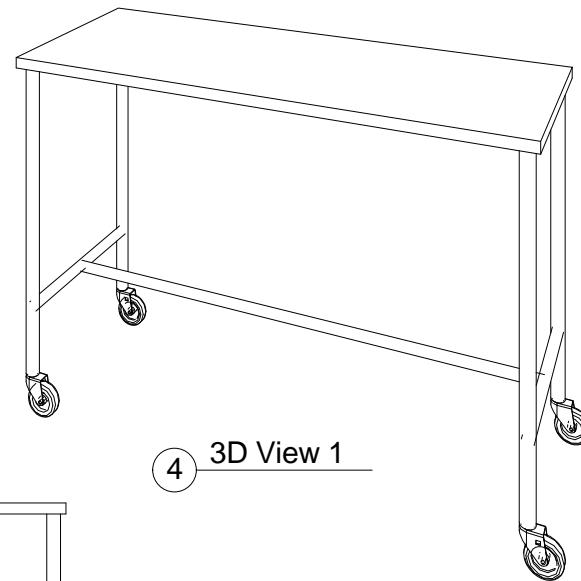
UNLESS OTHERWISE SPECIFIED:
DIMENSIONS ARE IN INCHES
BEND RADIUS = MTL. THK.
TOLERANCES:
FRACTION: ± 1/32"
DECIMAL: ± .031"

FINISH
APPRX WEIGHT = lbs
DO NOT SCALE DRAWING

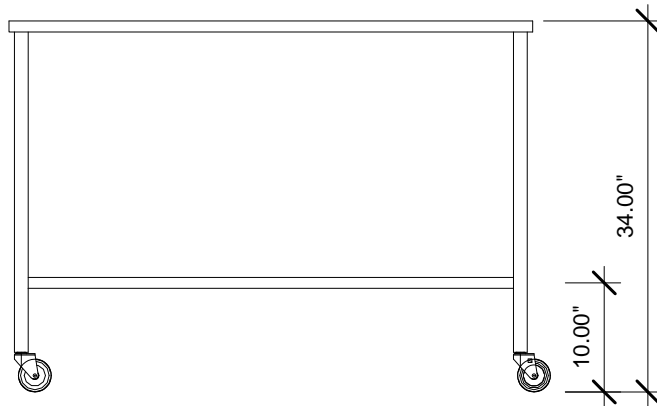
BLICKMAN, INC CLIFTON, NJ		
TITLE: 7843SS		
SAWYER		
SIZE A	DWG. NO. 0127843000	REV
SCALE: 1:16	SHEET 1 OF 1	



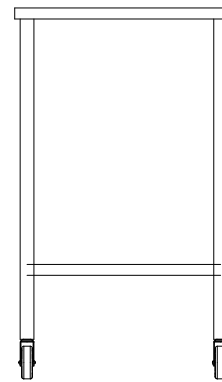
① Top
3/4" = 1'-0"



④ 3D View 1



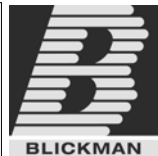
② Front
3/4" = 1'-0"



③ Right
3/4" = 1'-0"

ALL 304 S/S CONSTRUCTION
(4) 3" DIAMETER SWIVEL CASTERS
(2) W/BRAKES

PO#: _____ DATE: _____
APPROVAL: _____
TITLE: _____

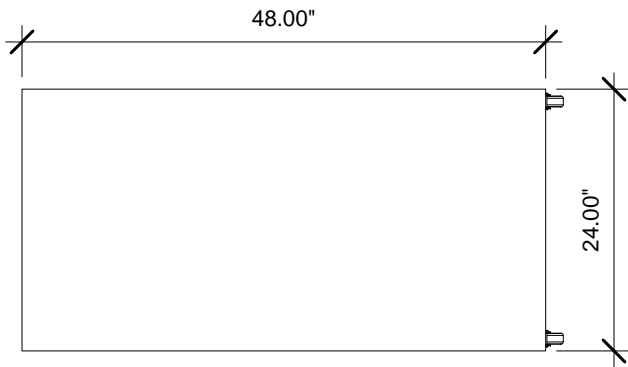


	NAME	DATE
DRAWN	JG	7/10/12
ENG APPR.		
MATERIAL		
FINISH		
APPRX WEIGHT = lbs		
DO NOT SCALE DRAWING		

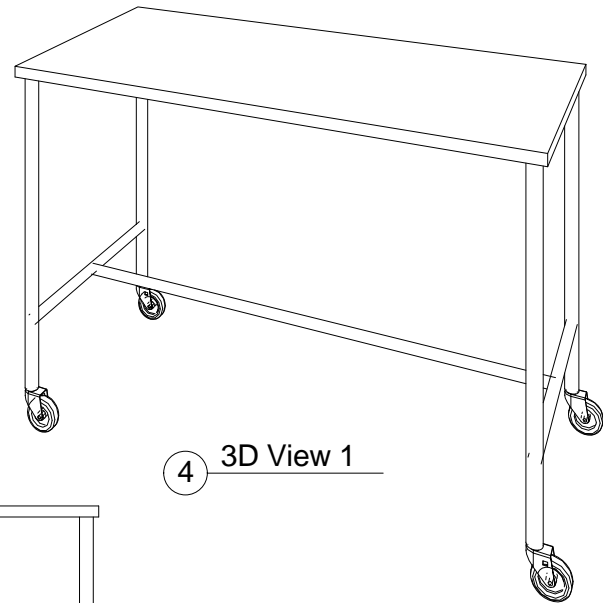
BLICKMAN, INC CLIFTON, NJ		
TITLE: 7844SS		
SAWYER		
SIZE A	DWG. NO. 0127844000	REV
SCALE: 1:16	SHEET 1 OF 1	

PROPRIETARY AND CONFIDENTIAL
THE INFORMATION CONTAINED IN THIS
DRAWING IS THE SOLE PROPERTY OF
BLICKMAN HEALTH INDUSTRIES. ANY
REPRODUCTION IN PART OR AS A WHOLE
WITHOUT THE WRITTEN PERMISSION OF
BLICKMAN HEALTH INDUSTRIES IS PROHIBITED.

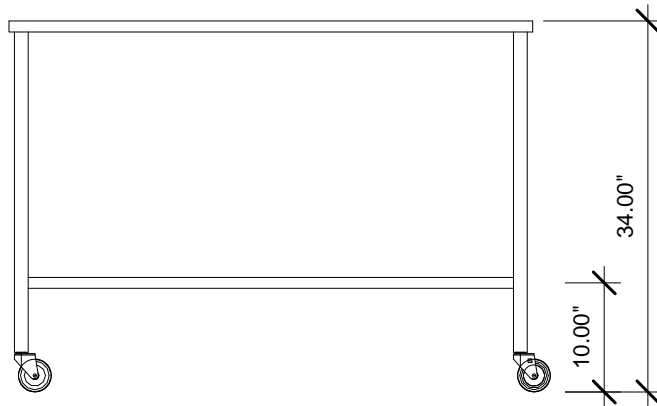
UNLESS OTHERWISE SPECIFIED:
DIMENSIONS ARE IN INCHES
BEND RADIUS = MTL THK.
TOLERANCES:
FRACTION: ± 1/32"
DECIMAL: ± .031"



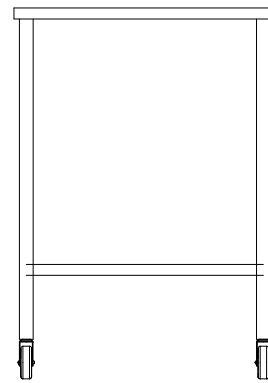
① Top
3/4" = 1'-0"



④ 3D View 1



② Front
3/4" = 1'-0"



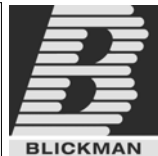
③ Right
3/4" = 1'-0"

ALL 304 S/S CONSTRUCTION
(4) 3" DIAMETER SWIVEL CASTERS
(2) W/BRAKES

PO#: _____ DATE: _____

APPROVAL: _____

TITLE: _____

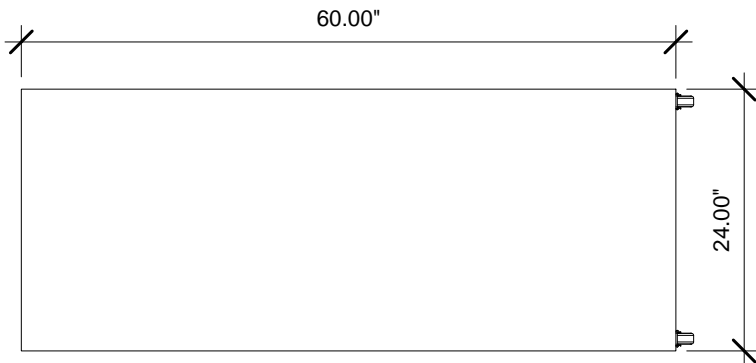


	NAME	DATE
DRAWN	JG	7/10/12
ENG APPR.		
MATERIAL		
FINISH		
APPRX WEIGHT = lbs		
DO NOT SCALE DRAWING		

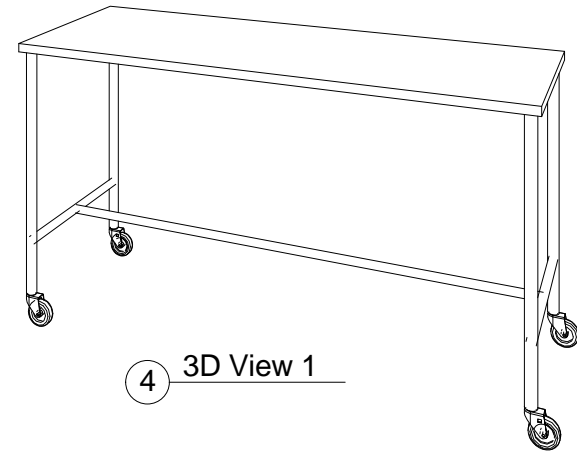
BLICKMAN, INC CLIFTON, NJ		
TITLE: 7845SS		
SAWYER		
SIZE A	DWG. NO. 0127845000	REV
SCALE: 1:16		SHEET 1 OF 1

PROPRIETARY AND CONFIDENTIAL
THE INFORMATION CONTAINED IN THIS
DRAWING IS THE SOLE PROPERTY OF
BLICKMAN HEALTH INDUSTRIES. ANY
REPRODUCTION IN PART OR AS A WHOLE
WITHOUT THE WRITTEN PERMISSION OF
BLICKMAN HEALTH INDUSTRIES IS PROHIBITED.

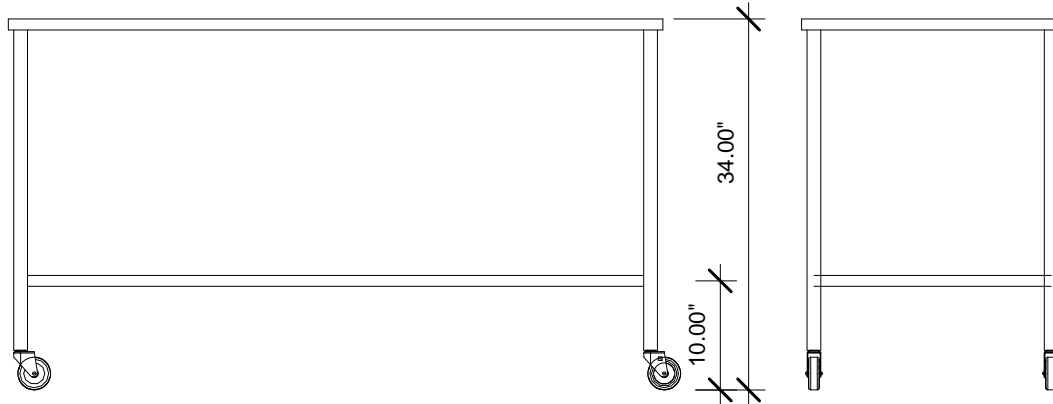
UNLESS OTHERWISE SPECIFIED:
DIMENSIONS ARE IN INCHES
BEND RADIUS = MTL THK.
TOLERANCES:
FRACTION: ± 1/32"
DECIMAL: ± .031"



① Top
3/4" = 1'-0"



④ 3D View 1



② Front
3/4" = 1'-0"

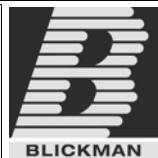
③ Right
3/4" = 1'-0"

ALL 304 S/S CONSTRUCTION
(4) 3" DIAMETER SWIVEL CASTERS
(2) W/BRAKES

PO#: _____ DATE: _____

APPROVAL: _____

TITLE: _____

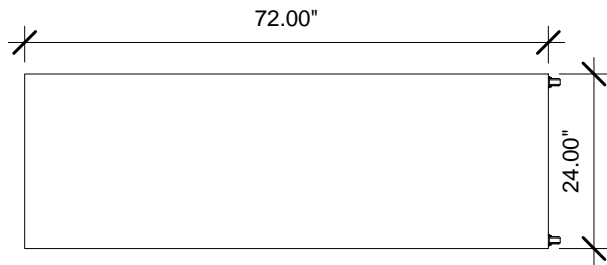


	NAME	DATE
DRAWN	JG	7/10/12
ENG APPR.		
MATERIAL		
FINISH		
APPRX WEIGHT = lbs		
DO NOT SCALE DRAWING		

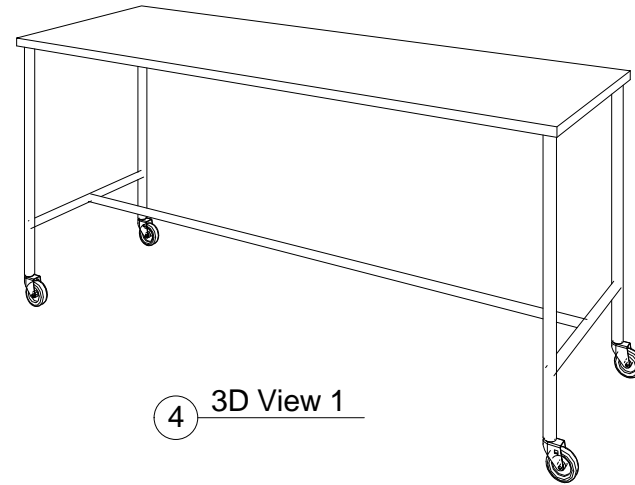
BLICKMAN, INC CLIFTON, NJ		
TITLE: 7846SS		
SAWYER		
SIZE A	DWG. NO. 0127846000	REV
SCALE: 1:16	SHEET 1 OF 1	

PROPRIETARY AND CONFIDENTIAL
THE INFORMATION CONTAINED IN THIS
DRAWING IS THE SOLE PROPERTY OF
BLICKMAN HEALTH INDUSTRIES. ANY
REPRODUCTION IN PART OR AS A WHOLE
WITHOUT THE WRITTEN PERMISSION OF
BLICKMAN HEALTH INDUSTRIES IS PROHIBITED.

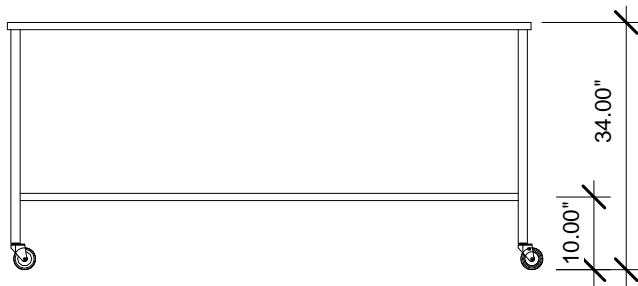
UNLESS OTHERWISE SPECIFIED:
DIMENSIONS ARE IN INCHES
BEND RADIUS = MTL THK.
TOLERANCES:
FRACTION: ± 1/32"
DECIMAL: ± .031"



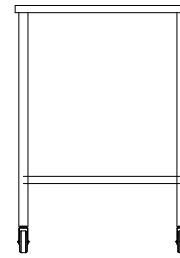
① Top
1/2" = 1'-0"



④ 3D View 1



② Front
1/2" = 1'-0"



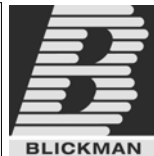
③ Right
1/2" = 1'-0"

ALL 304 S/S CONSTRUCTION
(4) 3" DIAMETER SWIVEL CASTERS
(2) W/BRAKES

PO#: _____ DATE: _____

APPROVAL: _____

TITLE: _____



	NAME	DATE
DRAWN	JG	7/10/12
ENG APPR.		
MATERIAL		

BLICKMAN, INC
CLIFTON, NJ

TITLE: 7847SS

SAWYER

PROPRIETARY AND CONFIDENTIAL
THE INFORMATION CONTAINED IN THIS
DRAWING IS THE SOLE PROPERTY OF
BLICKMAN HEALTH INDUSTRIES. ANY
REPRODUCTION IN PART OR AS A WHOLE
WITHOUT THE WRITTEN PERMISSION OF
BLICKMAN HEALTH INDUSTRIES IS PROHIBITED.

UNLESS OTHERWISE SPECIFIED:
DIMENSIONS ARE IN INCHES
BEND RADIUS = MTL. THK.
TOLERANCES:
FRACTION: ± 1/32"
DECIMAL: ± .031"

FINISH

APPRX WEIGHT = lbs

DO NOT SCALE DRAWING

SIZE A	DWG. NO. 0127847000	REV
------------------	------------------------	-----

SCALE: 1:16 SHEET 1 OF 1