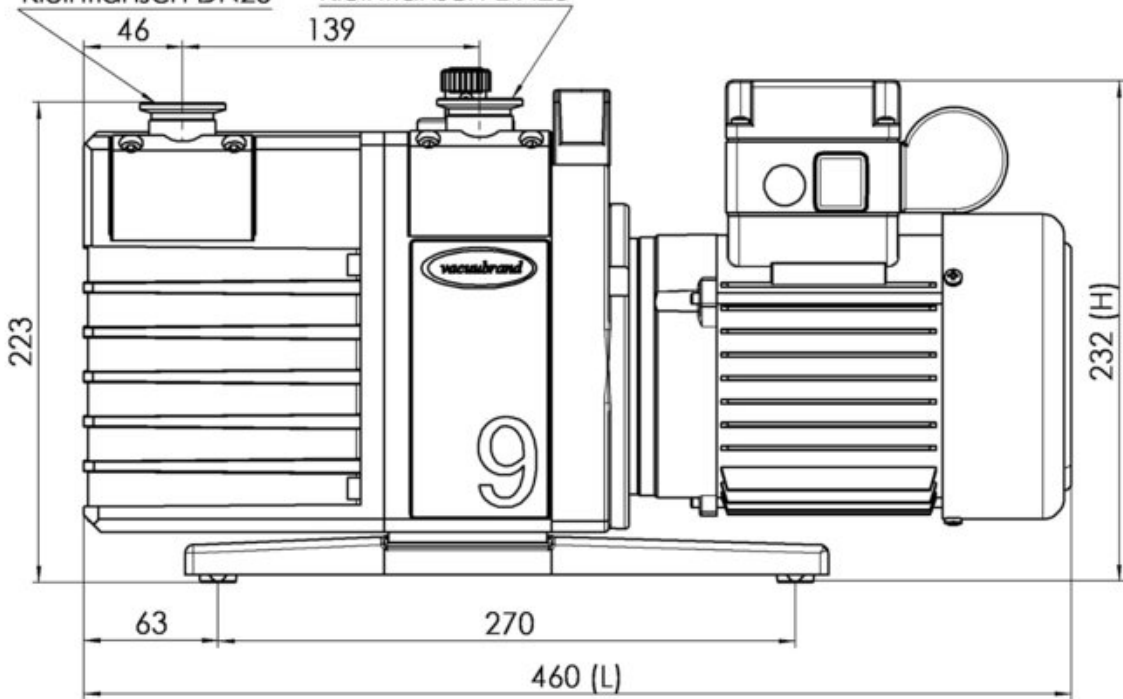
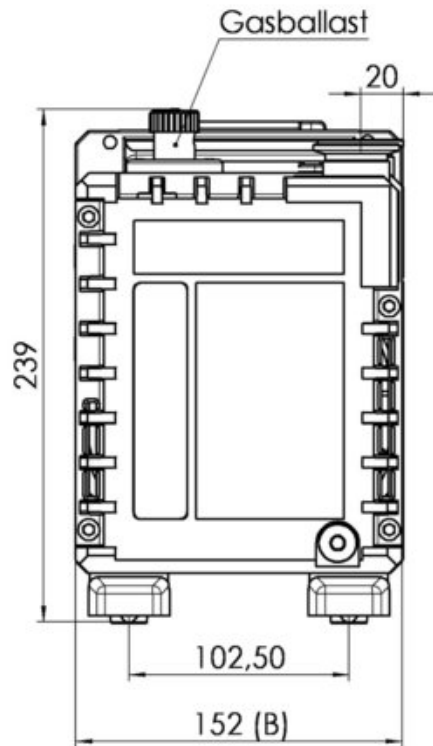


EX - Small flange
Kleinflansch DN25

IN - Small flange
Kleinflansch DN25



Weight / Gewicht 24,2 kg
Alle Maße / all dimensions (mm)



VACUUBRAND RZ 9
Version 2009/03/24