

Refrigerator Tray Assembly

Clear Acrylic Refrigerator Lock Box - #183000

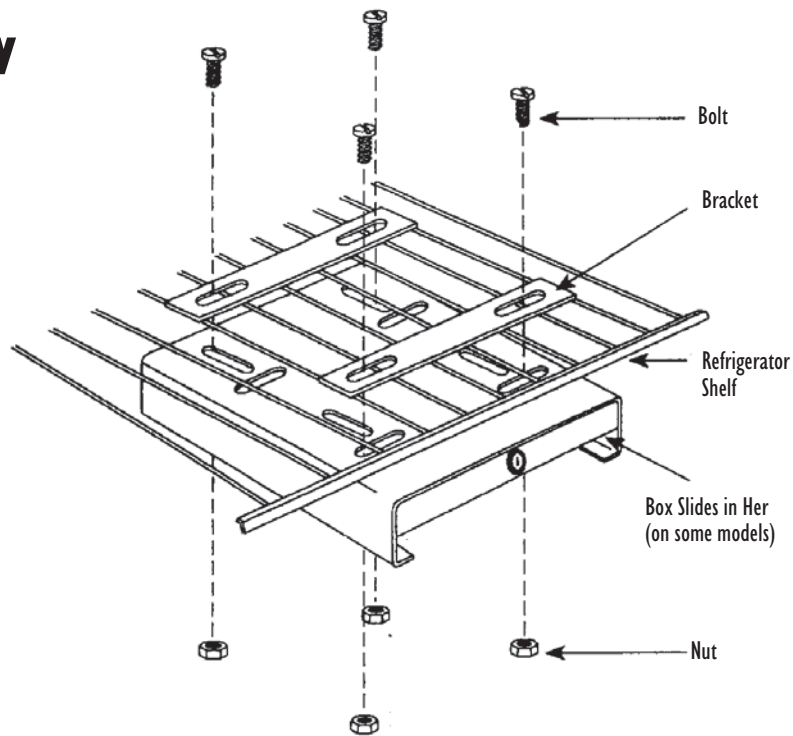
This tray was designed to be attached to wire refrigerator shelves.

Tools required: a 7/16" wrench or socket wrench and a wide flat head screwdriver

The tray installation process is easier if you remove the refrigerator shelf. Using the enclosed sketch as a reference, hold the tray under the shelf, as close to the front edge of the shelf as possible without interfering with the tray's lock. Lay one of the two brackets across the top of the shelf so that the bracket holes line up with the holes on the top of the tray. Drop a bolt through each bracket and tighten nuts on each of these bolts from the underside of the tray. (hardware included)

Place wrench or socket wrench on each nut from the bottom of the tray and tighten with screwdriver from the top. Do not completely tighten all the bolts/nuts until you have determined the final position.

Turn the key in the lock so that the lock tab moves out of the way. Slide in the plastic box and turn the key lock tab downward until it is in the front of the box. This is a visual indication that the box is secured within the locking tray.



If you are mounting to a glass shelf or location other than a refrigerator shelf, the double sided tape included with your box can be used.