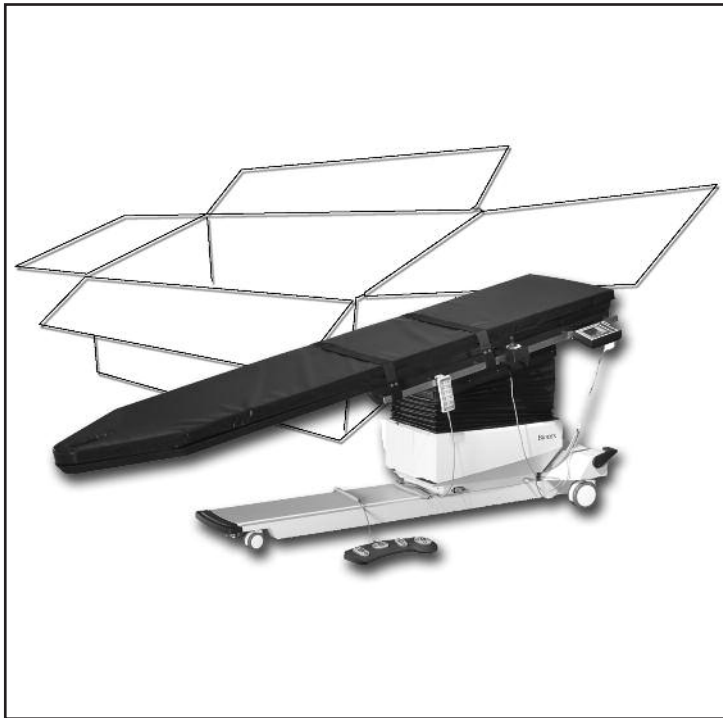


IMPORTANT: UNPACKING INSTRUCTIONS

AND TABLE RAMP ASSEMBLY

058-840
058-845
058-846
058-847
058-870
058-875
058-878



BIODEX

Biodex Medical Systems, Inc.

This manual covers use of the following products:

058-840
058-845
058-846
058-847
058-870
058-875
058-878

NOTE: *At least two people are required to remove the table from the shipping crate.*

Tool Required: Phillips screwdriver

**INSTRUCTIONS FOR UNPACKING TABLE
AND TABLE RAMP ASSEMBLY**

(See Figures 1 and 2.)

The Biodex Table you have purchased is shipped in a crate that contains a ramp as part of the packing material. This ramp can be easily assembled to make it possible to remove the table from the shipping crate without the need for a forklift or other heavy moving equipment.

1. Remove the box from over the table.
2. Carefully remove the shrink wrap from around the table.
3. Plug the power cord into a power source, or install the table battery.
4. Use the table's Hand-Held Controller to raise the tabletop until it rests several inches above the front brace.
5. Using a Phillips screwdriver, unscrew the brace from the skid and unscrew the angled brace supports from the brace.
6. Lift up on the front brace and remove it from the shipping crate.
7. Position the front brace flat on the floor and flush against the front end of the shipping crate, creating a small ramp that leads from the shipping crate to the floor.
8. With the aid of another person, lift up on the table just enough to free the wheels from the cutouts and simply roll the table, slowly and carefully, down the ramp and onto the floor.
9. The table is now ready for installation. Please refer to the Installation and Operation Manual supplied.

NOTE: *If this table is on a trial evaluation you must retain the packing materials in case they are needed to return the table.*

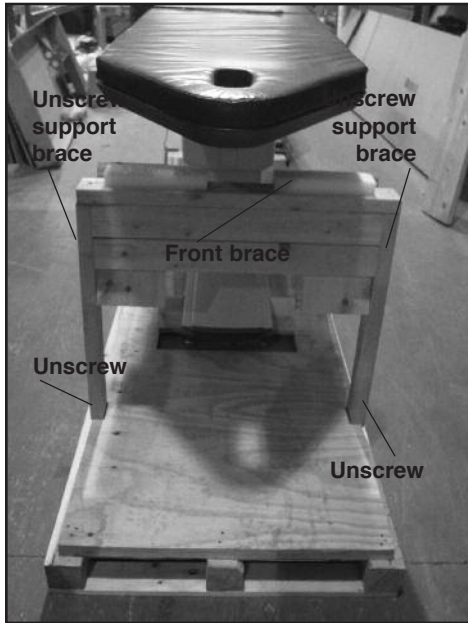


Figure 1: The front brace is positioned under the front end of the table. Use the Hand-Held Controller to raise the tabletop, then unscrew the brace from the skid and the angled brace supports from the brace. Lift up on the brace to remove it from the shipping crate.

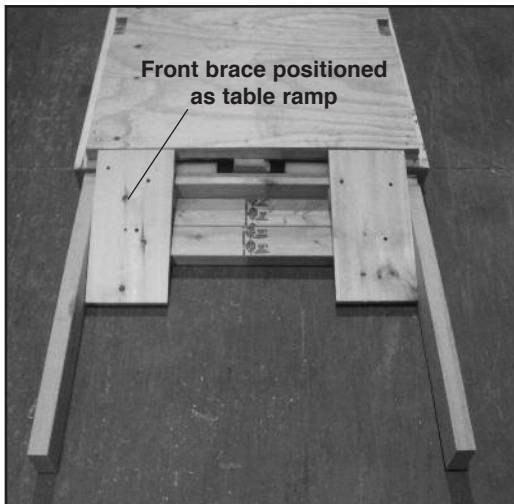


Figure 2: Place the front brace on the floor flush against the front end of the shipping crate to create a ramp. With the aid of another person, lift up on the table to free the wheels and then roll the table slowly down the ramp.

BIODEX

Biodex Medical Systems, Inc.