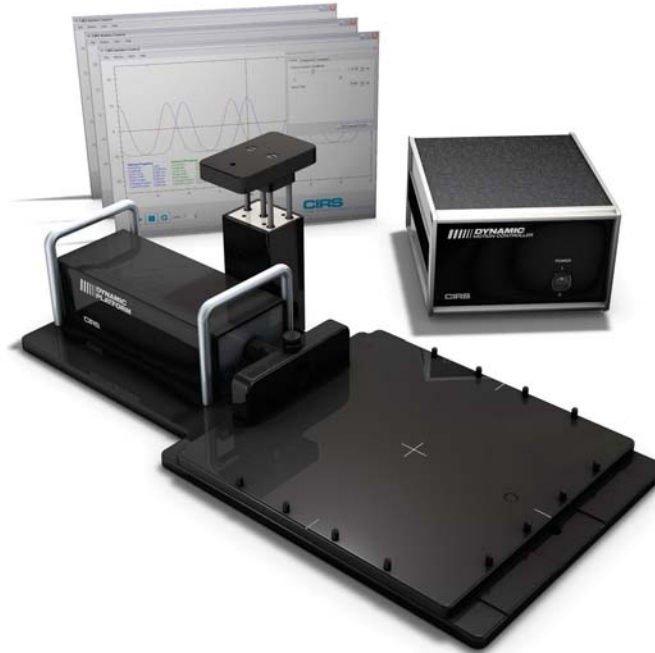




Dynamic Platform

Model 008PL



PROGRAMMABLE MOTION FOR ANY PLATFORM

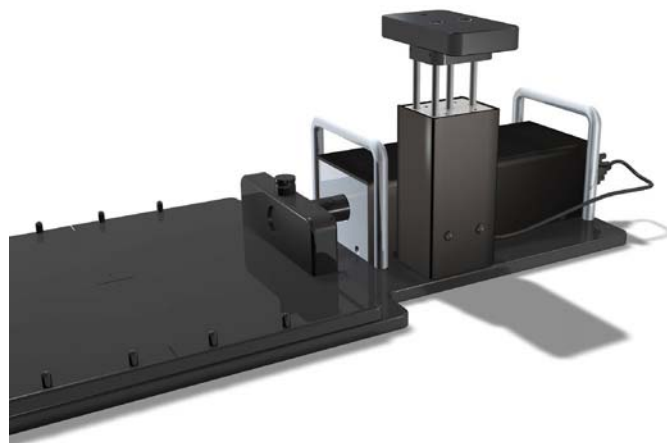
The CIRS Dynamic Platform provides an economical, user-friendly solution for the complex tasks associated with tumor motion and patient positioning in radiation therapy.

The platform is made from stiff, low-density plastics. The device enables precisely controlled inferior-superior motion up to 50 mm for any phantom up to 70 lbs. A removable pin system in the main platform allows consistent placement and fixation of almost any phantom and traditional laser alignment marks enable accurate positioning of the entire device. An independently controlled smaller platform provides Posterior-Anterior surrogate chest wall motion.

The CIRS Dynamic Platform is operated using CIRS Motion Control Software, a user-friendly graphical user interface that can be installed on any computer running Windows XP.

Features

- Move any phantom with sub-millimeter accuracy and reproducibility
- Surrogate and phantom motion fully and independently programmable
- Easy transport, set-up and operation
- Motion software enables different cycles, amplitudes and waveforms
- Surrogate breathing platform accommodates numerous gating devices



The surrogate motion is mechanically independent of platform motion and programmable through the CIRS Motion Control Software. This feature provides even greater flexibility to the clinician and is useful in assessing correlation between surrogate and phantom motion.

SPECIFICATIONS

PLATFORM DIMENSIONS:	67 cm x 32 cm x 28 cm (26" x 13" x 11")
MAX PLATFORM LOAD	70 lbs. (32 kg)
AMPLITUDE, IS:	± 25 mm
AMPLITUDE, AP/LR:	± 10 mm
AMPLITUDE, SURROGATE:	± 25 mm
MOTION ACCURACY:	± 0.1 mm
CYCLE TIME:	1 - ∞ (adjusted based on amplitude)
WAVEFORMS:	sin (t), 1-2cos4(t), 1-2cos6(t), sawtooth, sharkfin