



Surgical light

APEX

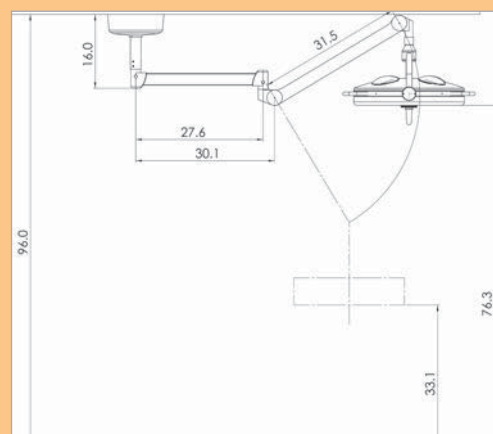
Your choice for no-drift positioning and exceptional performance.

Reliable operation, simplicity and ease of use are the hallmarks of every Philips Burton product, and the new APEX is no exception. For optimum illumination (120,000 lux / 11,148 fc at 1 meter), the highest quality no-drift arm system, reliability and true color rendering, there is no better value than Philips Burton's APEX. Plus, an efficient multi-bulb design eliminates the need for complicated back-up bulb systems used in single source lights.

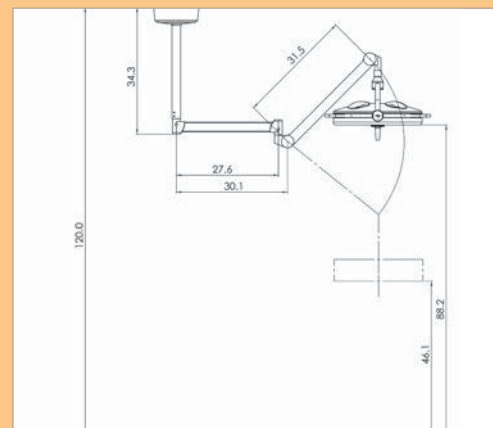
Features

- High-intensity of 120,000 lux (11,148 fc) at 1 meter
- 4200 K color temperature offers pure white illumination (without blue hues)
- High CRI (Color Rendering Index) of 95
- 24" (61 cm) diameter lighthead
- Unlimited arm rotation
- Focuses with center autoclavable handle for exceptionally smooth focus
- Supplied with control box including on/off switch, and continuous intensity adjustment
- Durable, aesthetic arm system that is recognized for drift-free, trouble-free operation
- 120V model standard, 100V and 230 / 240V models available
- UL/IEC 60601-1, IEC 60601-1-2, EN/IEC 60601-2-41 and CAN/CSA C22.2 NO. 601.1 M90 certified
- 5-year limited warranty

APEX range of motion



APEX 8-FT.



APEX 10-FT.



Reliable operation, simplicity and ease of use are the hallmarks of every Philips Burton product, and the new APEX is no exception.



Ordering information

120V Model	230/240V Model	120V SP Model*	230/240V SP Model*	100V Model	Description
APXSC8	APXSC825	APXSC8SP	APXSC825SP	APXSC801	8' Single ceiling mount
APXSC10	APXSC1025	APXSC10SP	APXSC1025SP	APXSC1001	10' Single ceiling mount
APXDC8	APXDC825	APXDC8SP	APXDC825SP	APXDC801	8' Double ceiling mount
APXDC10	APXDC1025	APXDC10SP	APXDC1025SP	APXDC1001	10' Double ceiling mount
Accessories					
0002004PK					APEX replacement bulbs, 6/box
0008100PK					Light handle covers, sterile, 25/box

*SP Model refers to Spanish Language Manuals.