



# HOSHIZAKI

---

## Parts List

Steelheart Series

Heated Kitchen Equipment

Models

HC1A, HCRN1A, HCRT1A

HC2A, HCRN2A, HCRT2A

Full Glass (FGE), Full Solid (FS)

Half Glass (HGE), Half Solid (HS)

# CONTENTS

Auxiliary Codes.....	3
Note About Ordering Parts .....	4
A. Main Assembly .....	5
HC1A-FGE(-FS)(-HGE)(-HS), HCRN1A-FS.....	5
HC2A-FGE(-FS)(-HGE)(-HS), HCRN2A-FS.....	7
HC1A-FGE-FGE(-FS-FS), HCRT1A-FS-FS.....	9
HC1A-HGE-HGE(-HS-HS) .....	10
HC2A-FGE-FGE(-FS-FS), HCRT2A-FS-FS.....	12
HC2A-HGE-HGE(-HS-HS) .....	13
B. Door-Full Glass.....	15
Right Hinged - Full Glass .....	15
Left Hinged - Full Glass .....	16
C. Door-Full Solid.....	18
Right Hinged - Full Solid.....	18
Left Hinged - Full Solid .....	19
D. Door-Half Glass .....	21
Right Hinged - Half Glass.....	21
Left Hinged - Half Glass .....	22
E. Door-Half Solid .....	25
Right Hinged - Half Solid.....	25
Left Hinged - Half Solid .....	26
F. Accessories & Labels.....	28

## Auxiliary Codes

### HC1A-FGE

Q-5 August 2025

### HC1A-FS

N-5 January 2023

N-6 September 2023

P-5 January 2024

Q-5 July 2025

### HC1A-HGE

P-5 January 2024

### HC1A-HS

N-5 January 2023

N-6 September 2023

P-5 January 2024

### HC1A-FGE-FGE

(TBD)

### HC1A-FS-FS

M-5 December 2022

N-5 January 2023

N-6 September 2023

P-5 January 2024

### HC1A-HGE-HGE

P-5 July 2024

### HC1A-HS-HS

M-5 December 2022

N-5 January 2023

N-6 September 2023

P-5 January 2024

Q-5 July 2025

R-5 January 2026

### HCRN1A-FS

TBD January 2026

### HCRT1A-FS-FS

TBD January 2026

### HC2A-FGE

(TBD)

### HC2A-FS

N-5 January 2023

N-7 October 2023

P-5 February 2024

### HC2A-HGE

P-5 July 2024

### HC2A-HS

N-5 January 2023

N-6 September 2023

P-5 January 2024

### HC2A-FGE-FGE

(TBD)

### HC2A-FS-FS

N-5 October 2023

P-5 February 2024

Q-5 October 2025

### HC2A-HGE-HGE

P-5 July 2024

### HC2A-HS-HS

N-5 October 2023

Q-6 August 2025

### HCRN2A-FS

R-5 January 2026

### HCRT2A-FS-FS

R-5 January 2026

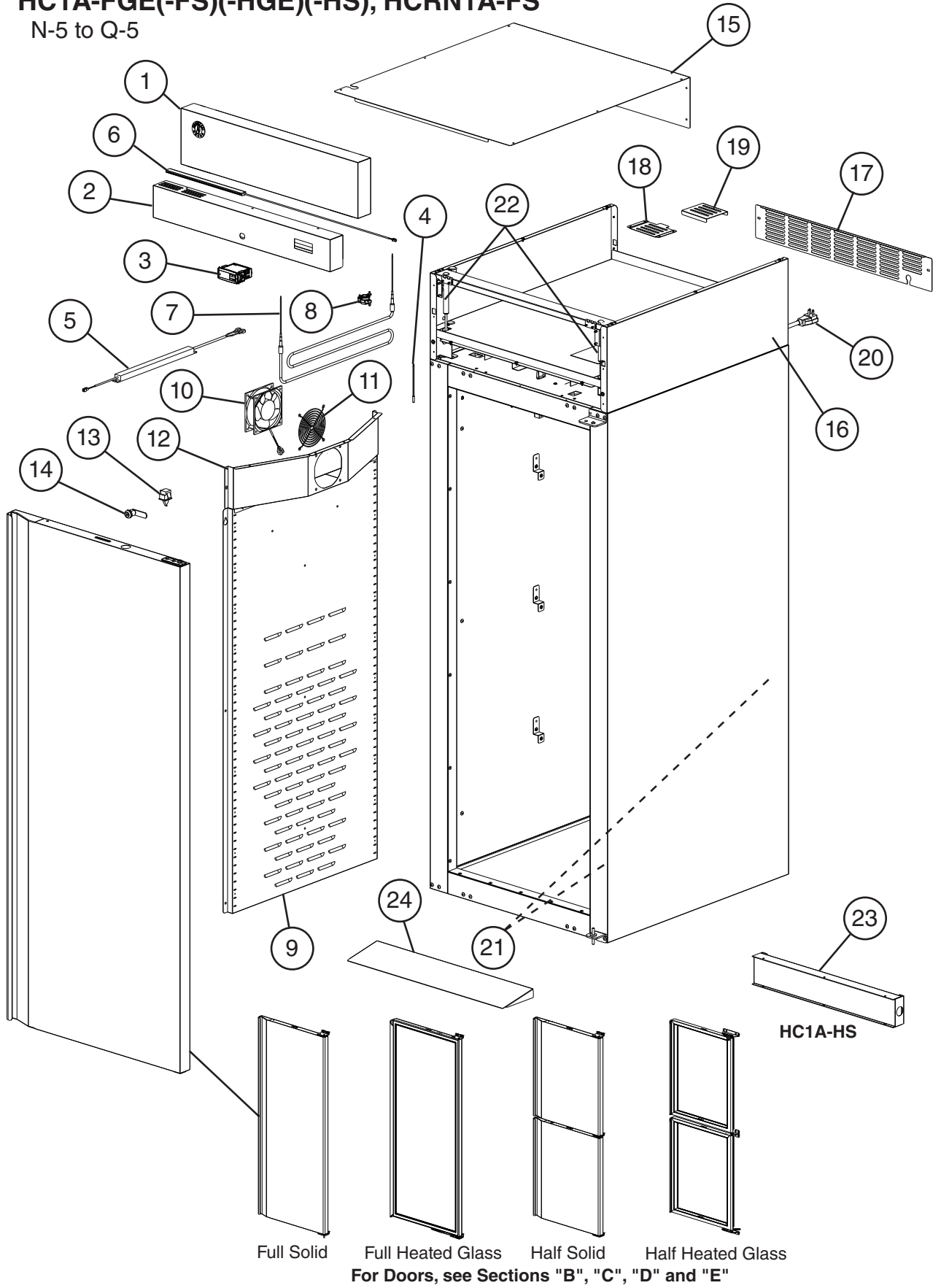
## **Auxiliary Code Breakdown**

The auxiliary code is the first two characters in the serial number. The first character indicates the year. Years progress or regress in alphabetical order. The series runs from "A" through "V" and the letters "I" and "O" are skipped. The second character indicates significant part changes within a year. Base is "5" and this number advances for each change. In cases where there is a letter in parentheses, this designates the month. This is the last character in the serial number. The series runs from "(A)" through "(M)" and the letter "(I)" is skipped. This designation is only included when identifying a parts change within an auxiliary code.

## **Note About Ordering Parts**

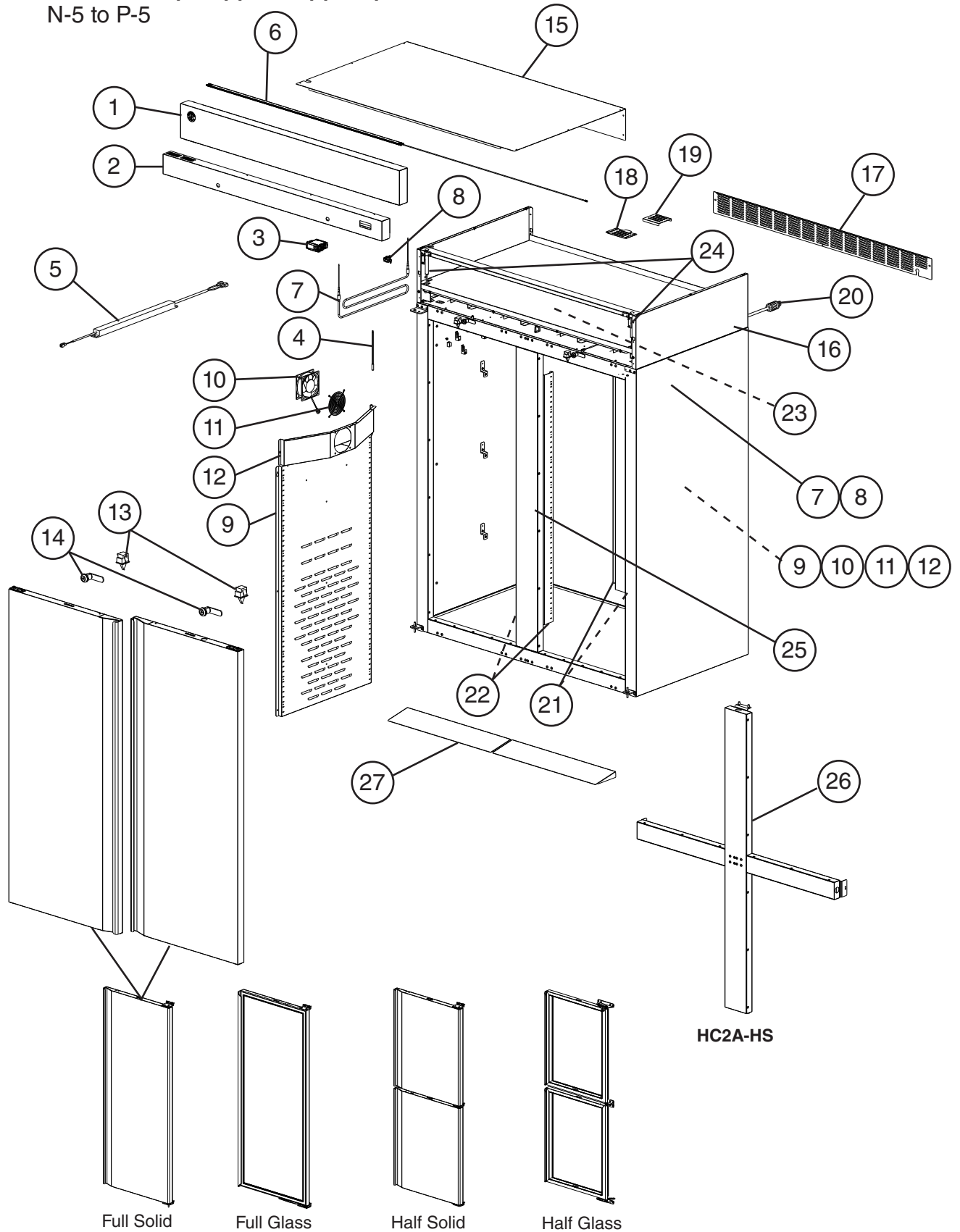
Most assemblies cannot be ordered as complete units; parts in the assemblies generally must be ordered separately.

**A. Main Assembly**  
**HC1A-FGE(-FS)(-HGE)(-HS), HCRN1A-FS**  
 N-5 to Q-5



<b>Title: A. Main Assembly Model: HC1A-FGE(-FS)(-HGE)(-HS), HCRN1A-FS</b>										
Index No.	Description	Material or Model Number	Part Number	N-5 to Q-5	Required Number					
1	Front Panel Hinged		3B1271G01	1						
		<b>HCRN1A-FS</b>	3B0170A01	1						
2	Control Panel		2B1007G01	1						
		<b>HCRN1A-FS</b>	2A9083-01	1						
3	Control Module	<b>HC1A-FS(-HS)</b>	4A7281-01	1						
		<b>HCRN1A-FS</b>								
		<b>HC1A-FGE(-HGE)</b>	4A7479-01	1						
4	Cabinet Thermistor		4A7083-01	1						
5	LED Driver		3A9867-01	1						
6	LED-Lamp		3B1412-01	1						
7	Cabinet Heater		2B0255-01	1						
		<b>HCRN1A-FS</b>	2B1683-01	1						
8	Safety Thermostat		4A7261-01	1						
9	Air Duct Panel		1A6785-01	1						
		<b>HCRN1A-FS</b>	1A8504-01	1						
10	Fan Motor		4A7244-01	1						
		<b>HCRN1A-FS</b>		2						
11	Fan Guard		4A5831-01	1						
		<b>HCRN1A-FS</b>		2						
12	Fan Motor Shroud		2B0396-01	1						
		<b>HCRN1A-FS</b>	2B1631-01	1						
13	Door Switch		3B2145-01	1						
14	Door Lock		4A4924-01	1						
15	Top Panel		2B0372-01	1						
		<b>HCRN1A-FS</b>	2B1893-01	1						
16	Side Panel		2B0302-01	2						
		<b>HCRN1A-FS</b>	2A9036-01	2						
17	Rear Louver Cover	<b>HC1A-FGE(-FS)(-HGE)(-HS)</b>	3B1357-01	1						
18	Vent Mount		3B1351-01	1						
19	Vent Plate		3B1352-01	1						
20	Power Supply Cord/Wire Harness		4A7221-01	1						
21	Pilaster	<b>HC1A-FGE(-FS)(-HGE)(-HS)</b>	3A0145-01	2						
22	Strut	<b>HC1A-FGE(-FS)(-HGE)(-HS)</b>	4A7327-01	2						
23	Horizontal Mullion	<b>HC1A-HGE</b> <b>HC1A-HS</b>	2B0498A01	1						
24	Ramp	<b>HCRN1A-FS</b>	3B0614G01	1						

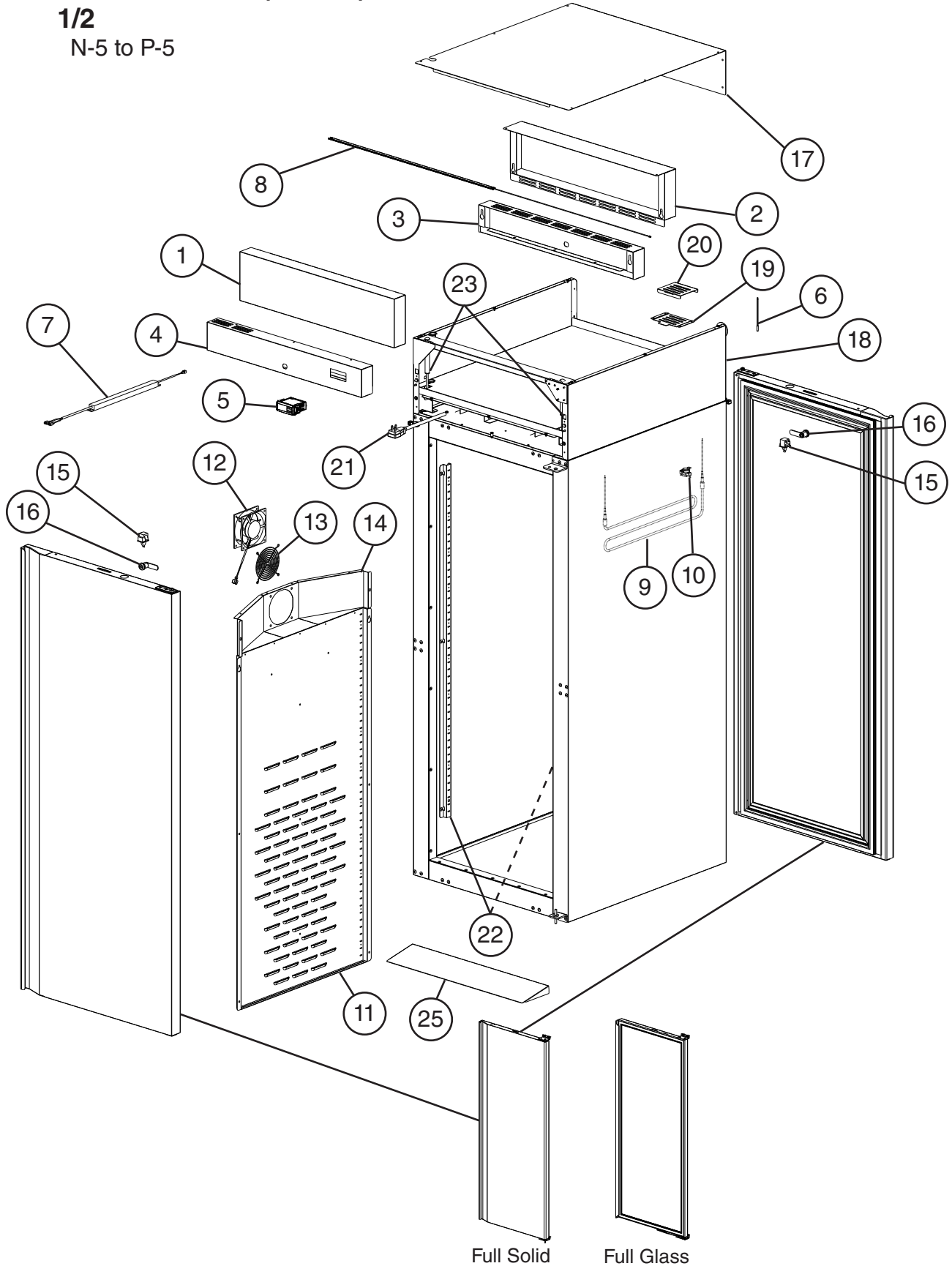
**A. Main Assembly**  
**HC2A-FGE(-FS)(-HGE)(-HS), HCRN2A-FS**  
 N-5 to P-5



For Doors, see Sections "B", "C", "D" and "E"

Title: A. Main Assembly Model: HC2A-FGE(-FS)(-HGE)(-HS), HCRN2A-FS											
Index No.	Description	Material or Model Number	Part Number	N-5 to P-5	Required Number						
1	Front Panel Hinged		3B1272G01	1							
		HCRN2A-FS	3B0117A01	1							
2	Control Panel		2B1008G01	1							
		HCRN2A-FS	2A9037-01	1							
3	Control Module	HC2A-FS HC2A-HS HCRN2A-FS	4A7281-01	1							
		HC2A-FGE HC2A-HGE	4A7479-01	1							
4	Cabinet Thermistor		4A7083-02	1							
		HCRN2A-FS	4A7083-01	1							
5	LED Driver		3A9867-01	1							
6	LED-Lamp		3B1413-01	1							
7	Cabinet Heater		2B0255-01	2							
		HCRN2A-FS	2B1683-01	2							
8	Safety Thermostat		4A7261-01	2							
9	Air Duct Panel		1A6785-01	2							
		HCRN2A-FS	1A8504-01	2							
10	Fan Motor		4A7244-01	2							
		HCRN2A-FS		4							
11	Fan Guard		4A5831-01	2							
		HCRN2A-FS		4							
12	Fan Motor Shroud		2B0396-01	2							
		HCRN2A-FS	2B1631-01	2							
13	Door Switch		3B2145-01	2							
14	Door Lock		4A4924-01	2							
15	Top Panel		2B0374-01	1							
		HCRN2A-FS	2B1901-01	1							
16	Side Panel		2B0302-01	2							
		HCRN2A-FS	2A9036-01	2							
17	Rear Louver Cover		3B1358-01	1							
18	Vent Mount		3B1351-01	1							
19	Vent Plate		3B1352-01	1							
20	Power Supply Cord/Wire Harness		4A7282-01	1							
21	Pilaster	HC2A-FGE(-FS) (-HGE)(-HS)	3A0145-01	2							
22	Vertical Mullion Pilaster	HC2A-FGE(-FS) (-HGE)(-HS)	2A9426-01	2							
23	Heater Relay		4A3140-02	1							
24	Strut	HC2A-FGE(-FS) (-HGE)(-HS)	4A7327-01	2							
25	Vertical Mullion	HC2A-FGE HC2A-FS	2B0499A01	1							
		HCRN2A-FS	2B1898A01	1							
26	Cross Mullion	HC2A-HGE HC2A-HS	2B0500A01	1							
		HCRN2A-FS	3B0614G01	2							
27	Ramp	HCRN2A-FS	3B0614G01	2							

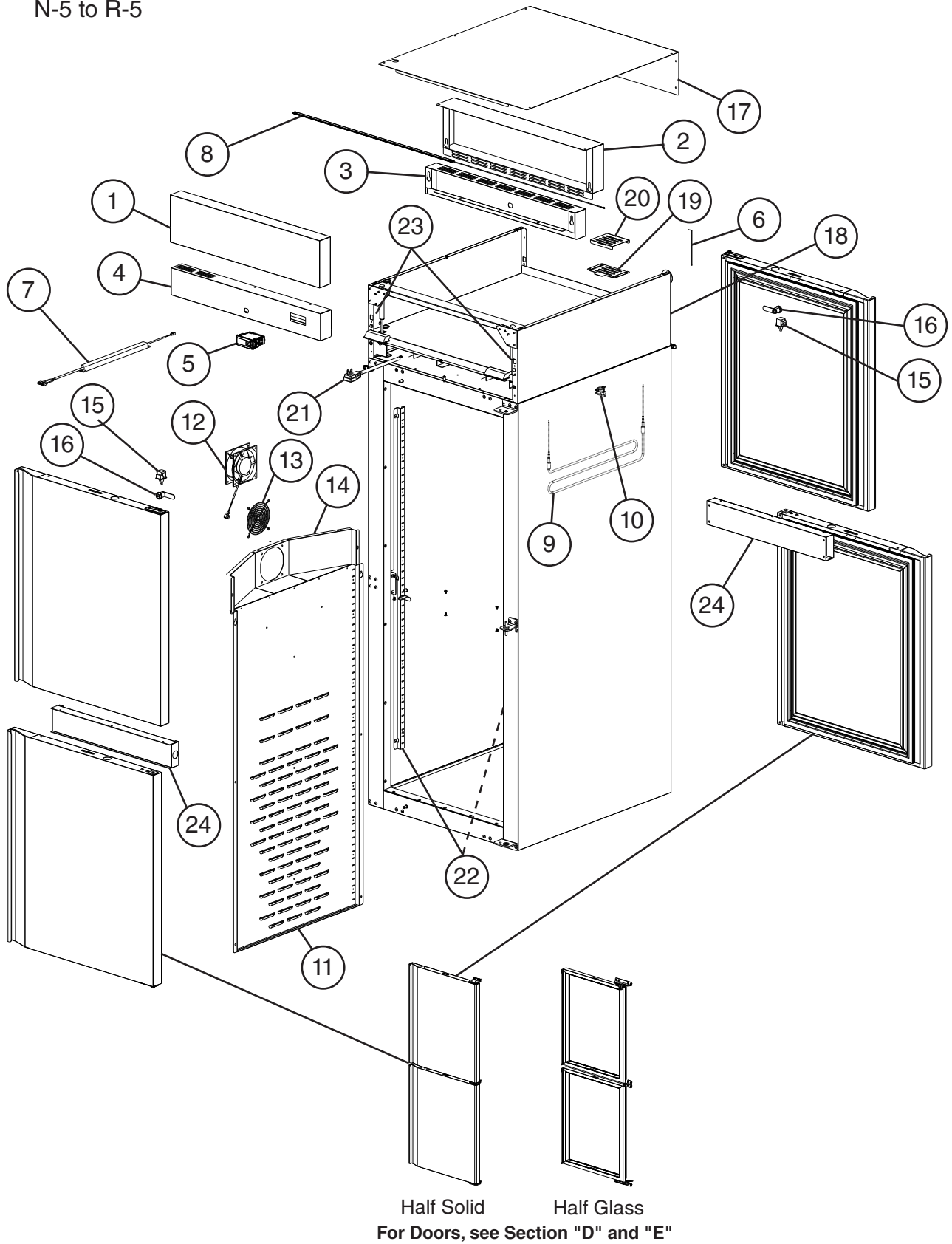
**A. Main Assembly**  
**HC1A-FGE-FGE(-FS-FS), HCRT1A-FS-FS**  
**1/2**  
 N-5 to P-5



Full Solid      Full Glass

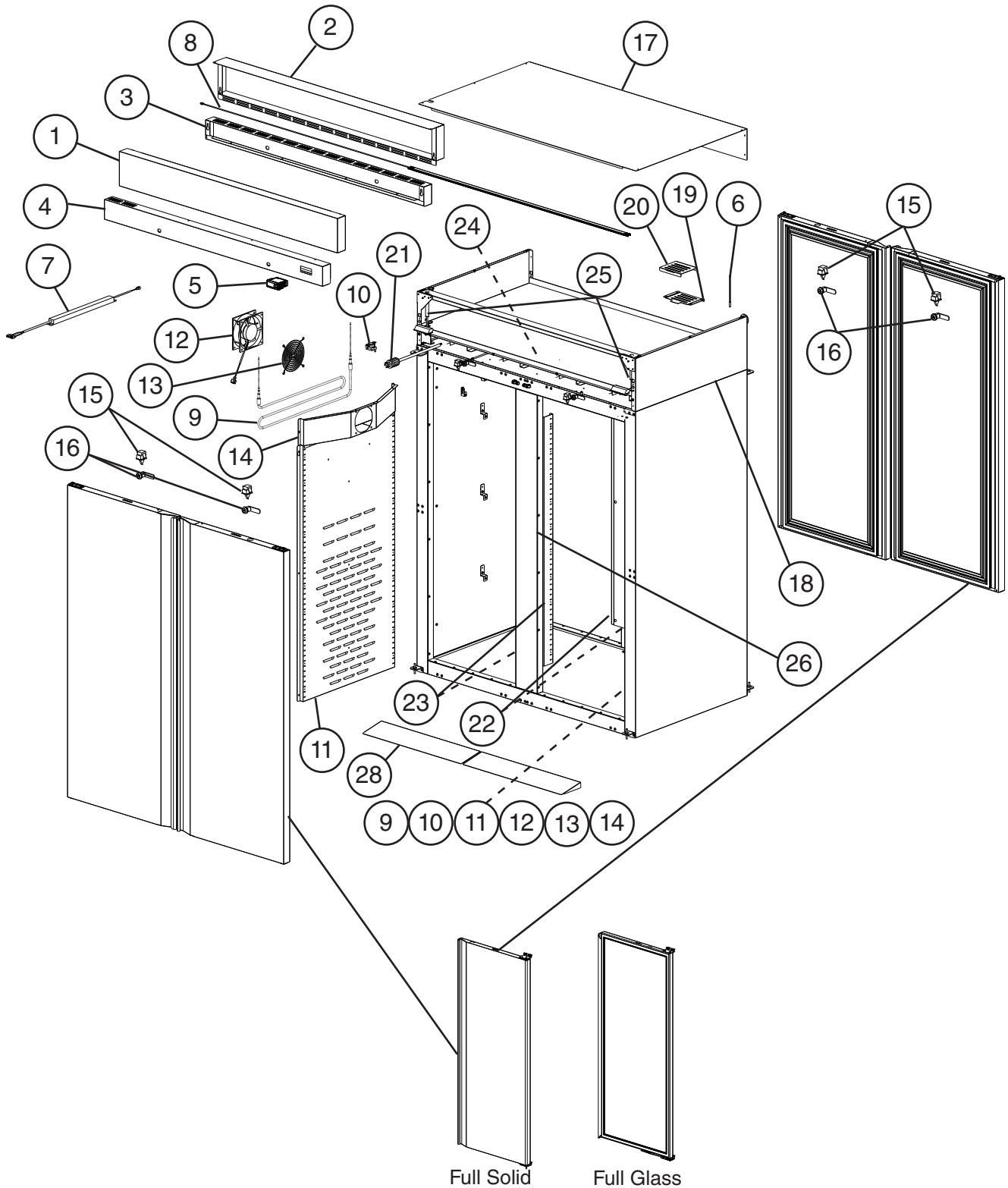
For Doors, see Sections "B" and "C"

**A. Main Assembly**  
**HC1A-HGE-HGE(-HS-HS)**  
**2/2**  
 N-5 to R-5



<b>Title: A. Main Assembly Model: HC1A-FGE-FGE(-FS-FS)(-HGE-HGE)(-HS-HS), HCRT1A-FS-FS</b>												
Index No.	Description	Material or Model Number	Part Number	N-5 to R-5	Required Number							
1	Front Panel Hinged		3B1271G01	1								
		<b>HCRT1A-FS-FS</b>	3B0170A01	2								
2	Upper Front Panel (non-hinged)		2B0385G01	1								
		<b>HCRT1A-FS-FS</b>	2A9084-01	1								
3	Lower Front Panel		2A8615-03	1								
		<b>HCRT1A-FS-FS</b>	2A9084-01	1								
4	Control Panel		2B1007G01	1								
		<b>HCRT1A-FS-FS</b>	2A9083-01	1								
		<b>HCRT1A-FS-FS</b>	2A9083-02	1								
5	Control Module	<b>HC1A-FS-FS HC1A-HS-HS HCRT1A-FS-FS</b>	4A7281-01	1								
		<b>HC1A-FGE-FGE HC1A-HGE-HGE</b>	4A7479-01	1								
6	Cabinet Thermistor		4A7083-01	1								
7	LED Driver		3A9867-01	1								
8	LED Lamp		3B1412-01	1								
9	Cabinet Heater		2B0255-01	1								
		<b>HCRT1A-FS-FS</b>	2B1683-01	1								
10	Safety Thermostat		4A7261-01	1								
11	Air Duct Panel		1A6785-01	1								
		<b>HCRT1A-FS-FS</b>	1A8504-01	1								
12	Fan Motor		4A7244-01	1								
		<b>HCRT1A-FS-FS</b>		2								
13	Fan Guard		4A5831-01	1								
		<b>HCRT1A-FS-FS</b>		2								
14	Fan Motor Shroud		2B0396-01	1								
		<b>HCRT1A-FS-FS</b>	2B1631-01	1								
15	Door Switch		3B2145-01	2								
16	Lock		4A4924-01	2								
17	Top Panel		2B0372-01	1								
		<b>HCRT1A-FS-FS</b>	2B1894-01	1								
18	Side Panel		2B0302-01	2								
		<b>HCRT1A-FS-FS</b>	2A9036-01	2								
19	Vent Mount		3B1351-01	1								
20	Vent Plate		3B1352-01	1								
21	Power Supply Cord/Wire Harness		4A7221-01	1								
22	Pilaster		3A0145-01	2								
23	Strut		4A7327-01	2								
24	Horizontal Mullion	<b>HC1A-HS-HS HC1A-HGE-HGE</b>	2B0498A01	2								
		<b>HCRT1A-FS-FS</b>	3B0614G01	1								
25	Ramp	<b>HCRT1A-FS-FS</b>	3B0614G01	1								

**A. Main Assembly**  
**HC2A-FGE-FGE(-FS-FS), HCRT2A-FS-FS**  
**1/2**  
 N-5 to P-5

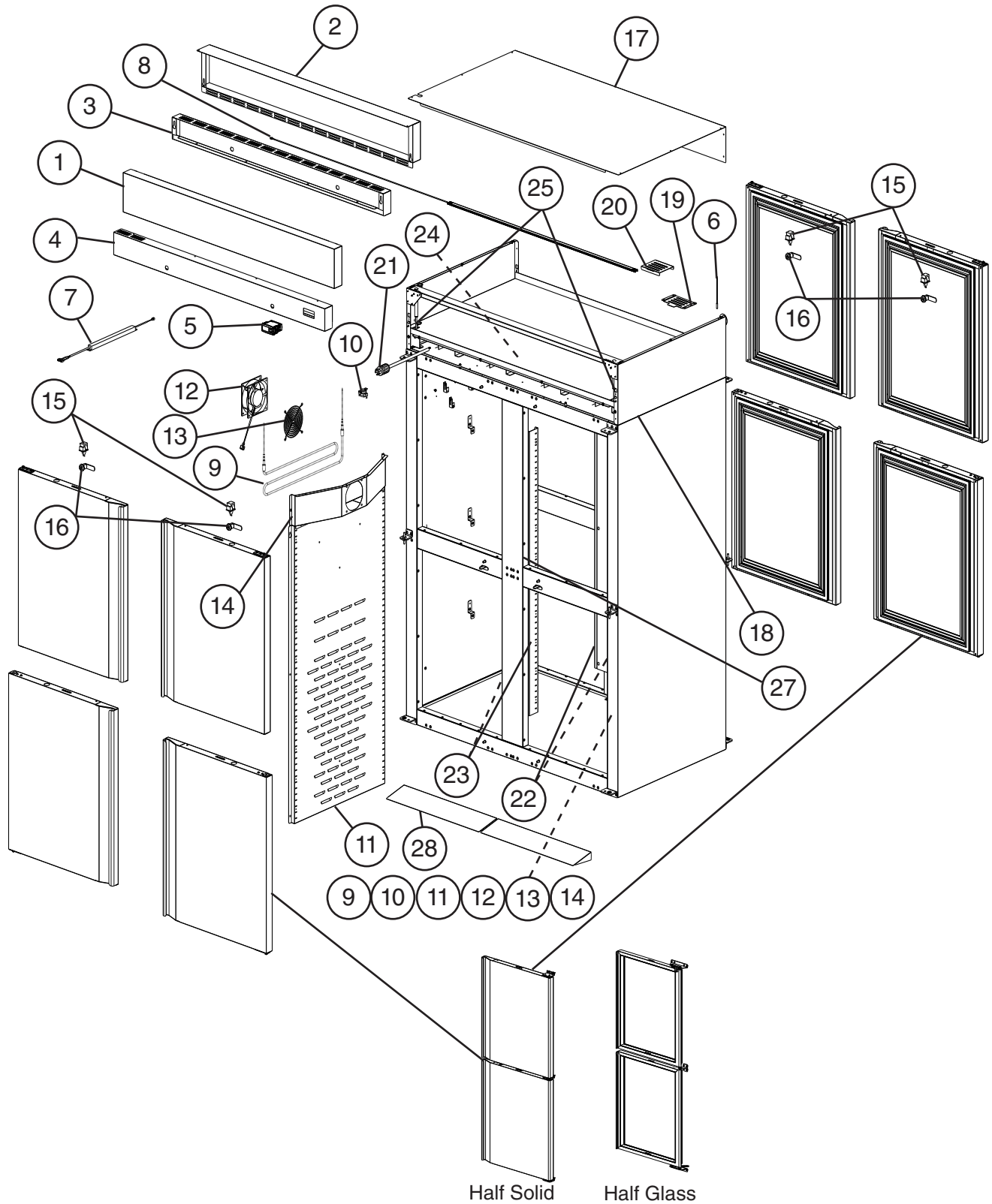


For Doors, see Sections "B" and "C"

# A. Main Assembly HC2A-HGE-HGE(-HS-HS)

2/2

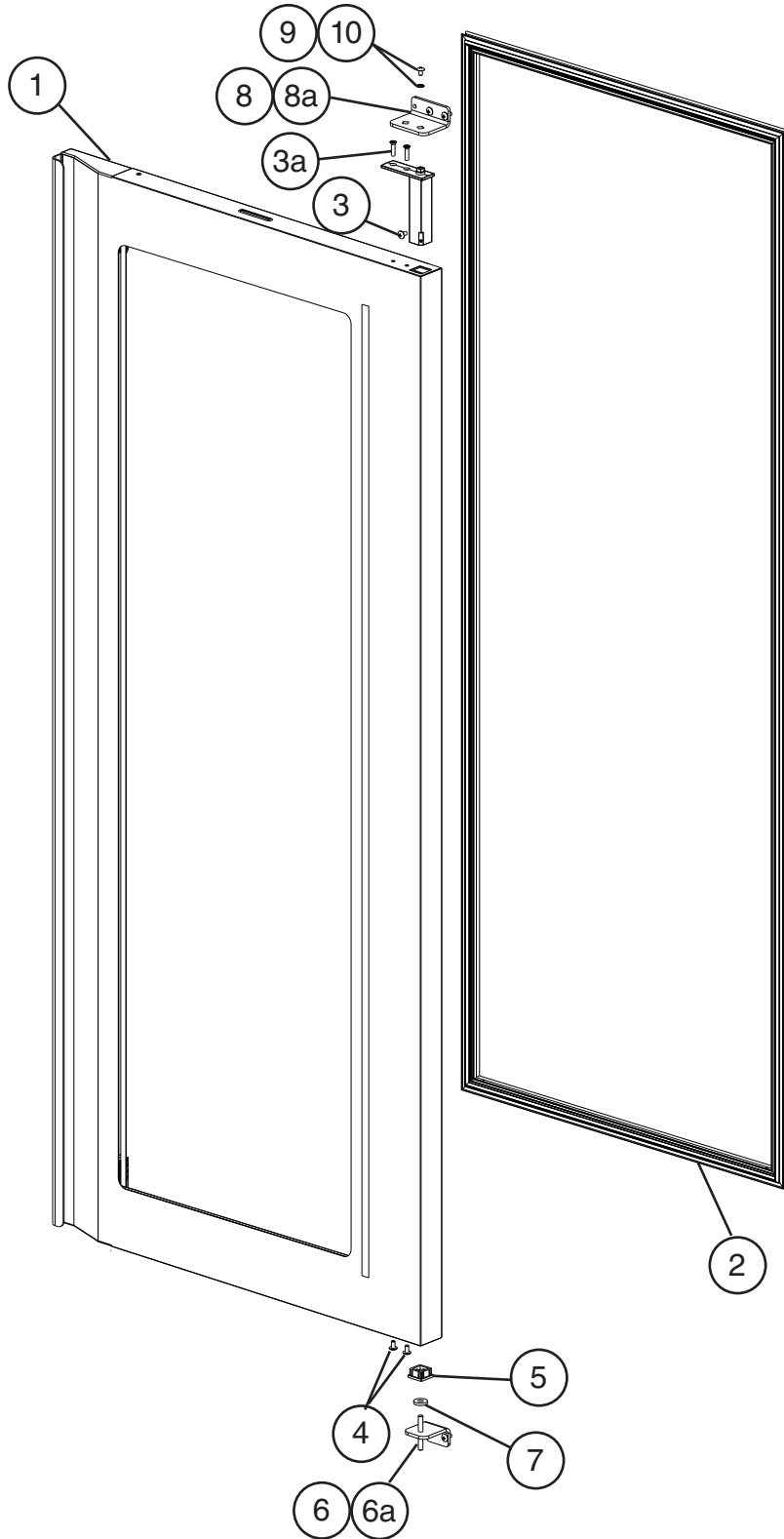
N-5 to Q-6



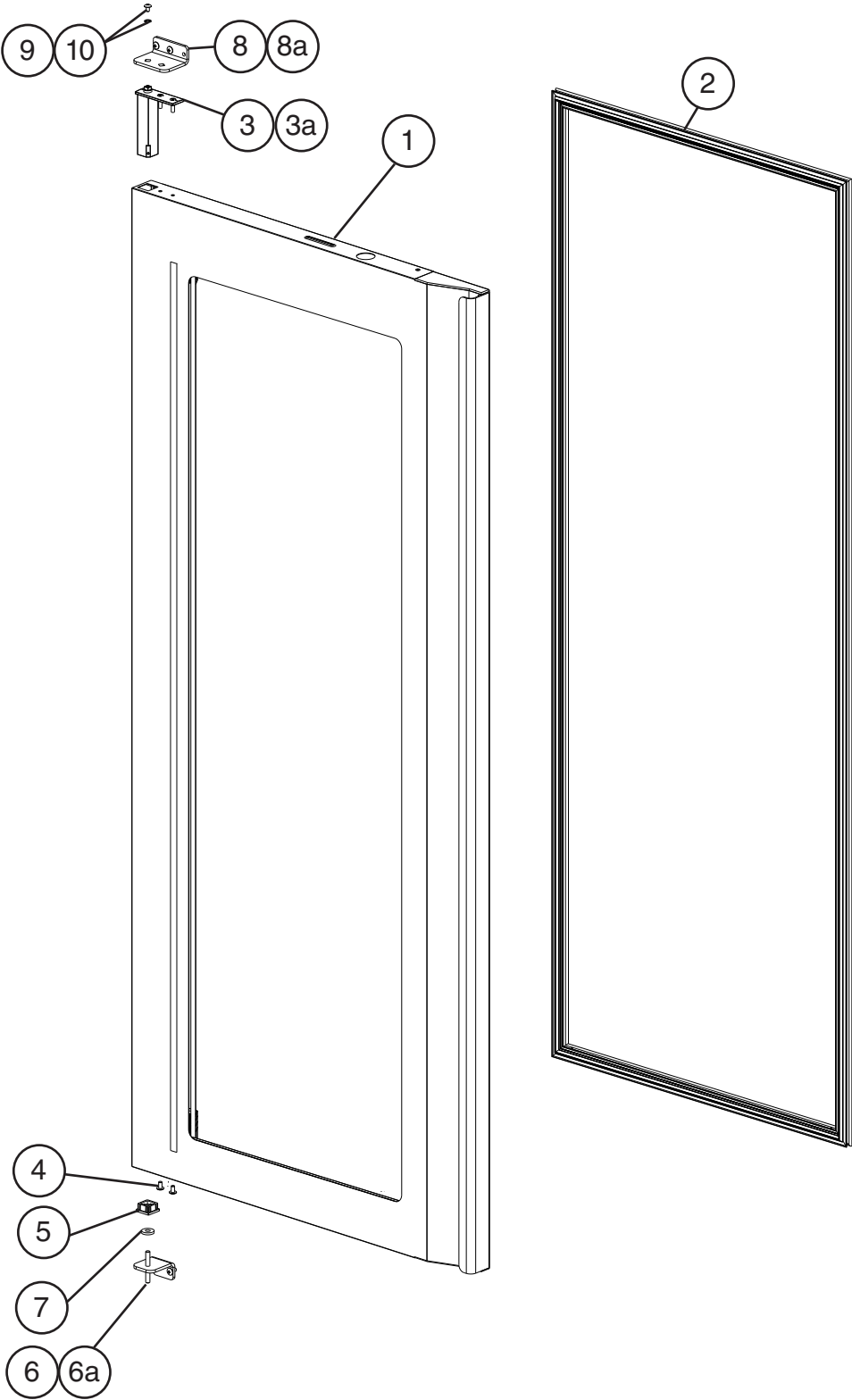
For Doors, see Section "D" and "E"

Title: A. Main Assembly Model: HC2A-FGE-FGE(-FS-FS)(-HGE-HGE)(-HS-HS), HCRT2A-FS-FS													
Index No.	Description	Material or Model Number	Part Number	N-5 to Q-6	Required Number								
1	Front Panel Hinged		3B1272G01	1									
		HCRT2A-FS-FS	3B0117A01	2									
2	Upper Front Panel (non-hinged)		2B0386G01	1									
		HCRT2A-FS-FS	2A9035-01	1									
3	Lower Front Panel		2A8583-03	1									
		HCRT2A-FS-FS	2A9037-01	1									
4	Control Panel		2B1008G01	1									
		HCRT2A-FS-FS	2A9037-02	1									
5	Control Module	HC2A-FS-FS(-HS-HS)	4A7281-01	1									
		HCRT2A-FS-FS											
6	Cabinet Thermistor	HC2A-FGE-FGE (-HGE-HGE)	4A7479-01	1									
		HCRT2A-FS-FS	4A7083-02	1									
		HCRT2A-FS-FS	4A7083-01	1									
7	LED Driver		3A9867-01	1									
8	LED-Lamp		3B1413-01	1									
9	Cabinet Heater		2B0255-01	2									
		HCRT2A-FS-FS	2B1683-01	2									
10	Safety Thermostat		4A7261-01	2									
11	Air Duct Panel		1A6785-01	2									
		HCRT2A-FS-FS	1A8504-01	2									
12	Fan Motor		4A7244-01	2									
		HCRT2A-FS-FS		4									
13	Fan Guard		4A5831-01	2									
		HCRT2A-FS-FS		4									
14	Fan Shroud		2B0396-01	2									
		HCRT2A-FS-FS	2B1631-01	2									
15	Door Switch		3B2145-01	4									
16	Lock		4A4924-01	4									
17	Top Panel		2B0374-01	1									
		HCRT2A-FS-FS	2B1902-01	1									
18	Side Panel		2B0302-01	2									
		HCRT2A-FS-FS	2A9036-01	2									
19	Vent Mount		3B1351-01	1									
20	Vent Plate		3B1352-01	1									
21	Power Supply Cord/Wire Harness		4A7282-01	1									
22	Pilaster	HC2A-FGE-FGE(-FS-FS)(-HGE-HGE)(-HS-HS)	3A0145-01	2									
23	Mullion Pilaster	HC2A-FGE-FGE(-FS-FS)(-HGE-HGE)(-HS-HS)	2A9426-01	2									
24	Heater Relay		4A3140-02	1									
25	Strut	HC2A-FGE-FGE(-FS-FS)(-HGE-HGE)(-HS-HS)	4A7327-01	2									
26	Vertical Mullion	HC2A-FGE-FGE(-FS-FS)	2B0499A01	2									
		HCRT2A-FS-FS	2B1898A01	2									
27	Cross Mullion	HC2A-HGE-HGE(-HS-HS)	2B0500A01	2									
28	Ramp	HCRT2A-FS-FS	3B0614G01	4									

**B. Door-Full Glass**  
**Right Hinged - Full Glass**  
**1/2**  
Q-5

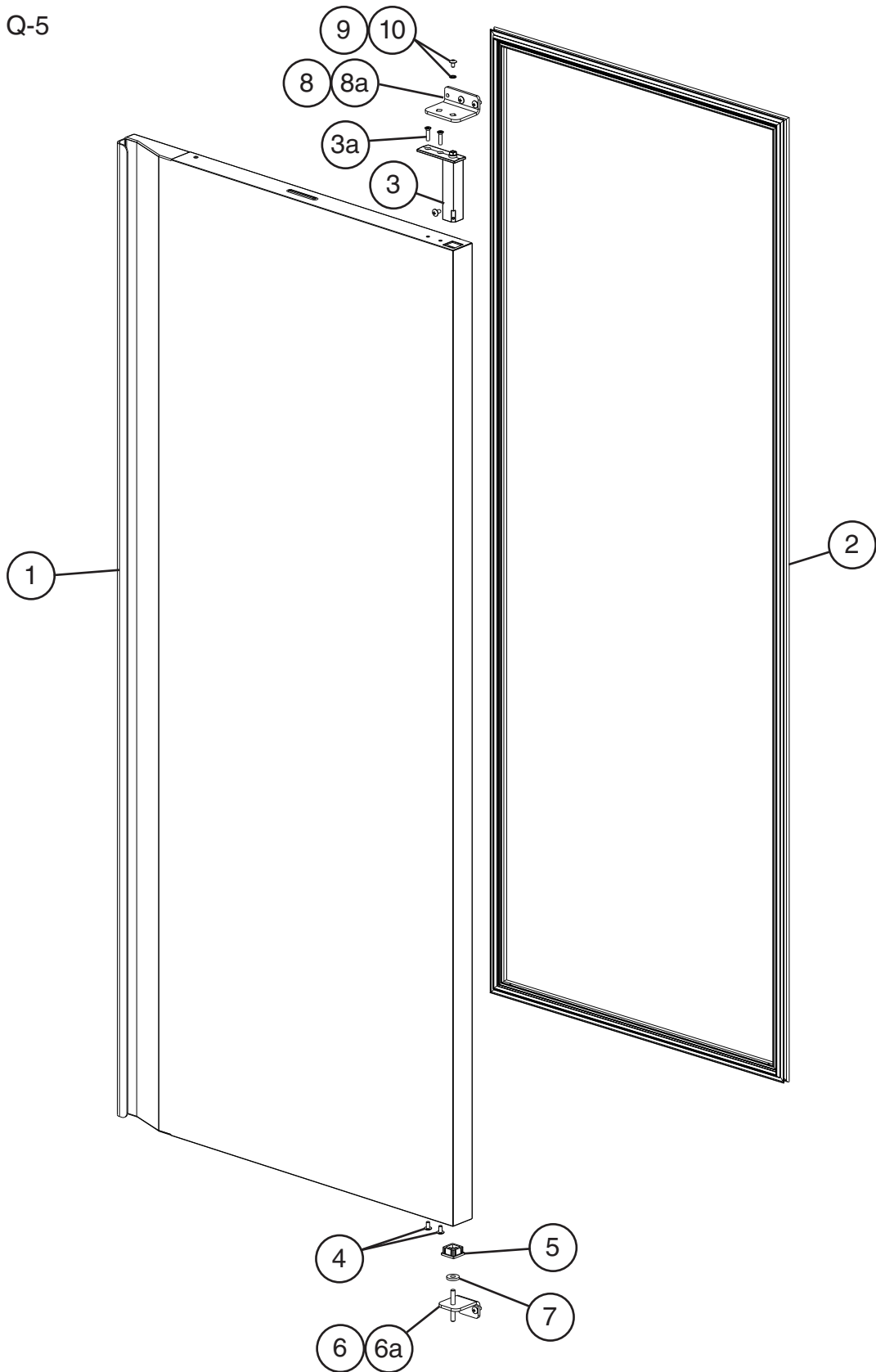


**B. Door-Full Glass**  
**Left Hinged - Full Glass**  
**2/2**  
Q-5



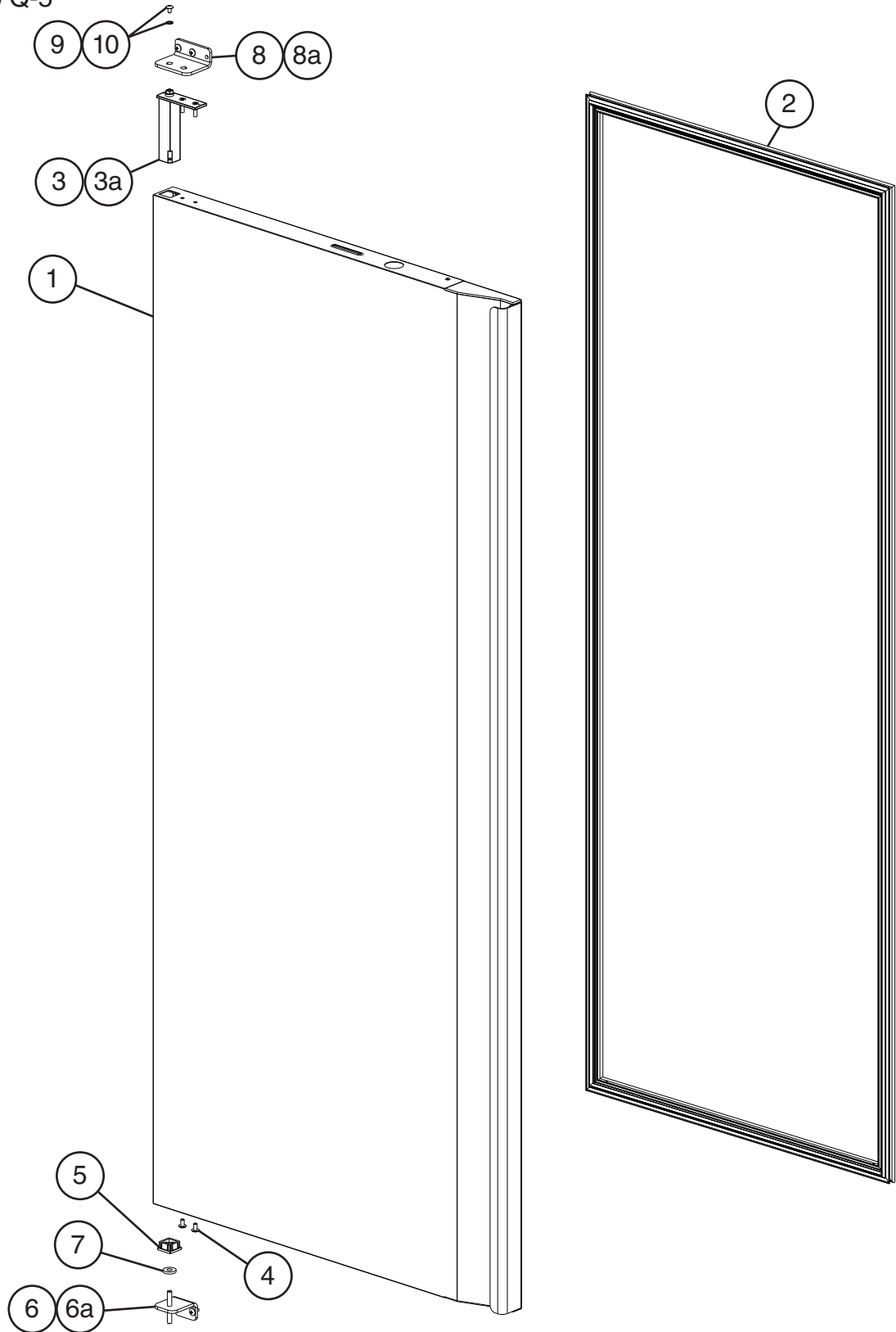
Title: B. Door-Full Glass Model: Full Glass-Right Hinged/Left-Hinged											
Index No.	Description	Material or Model Number	Part Number	Required Number							
				Q-5							
1	Right Door Assembly - Right (includes items 3 through 5)		2B0491G01	1							
		<b>HC1A-FGE</b> <b>HC1A-FGE-FGE</b> <b>HC2A-FGE</b> <b>HC2A-FGE-FGE</b>	2B0934G01	1							
	Left Door Assembly - Left (includes items 3 through 5)		2B0493G01	1							
		<b>HC2A-FGE</b> <b>HC2A-FGE-FGE</b>	2B0936G01	1							
2	Door Gasket		2B0405-01	1							
3	Spring Cartridge		3A9206-01	1							
3a	Spring Cartridge Screw	5x20, SS	7C32-0520	2							
4	Truss Head Screw (Filler Screw)	5x10, SS	7C32-0510	2							
5	Nylon Bearing		4A5232-01	1							
6	Lower Hinge Bracket		3A9767G01	1							
		<b>HC2A-FGE</b> <b>HC2A-FGE-FGE</b>		2							
6a	Truss Head Screw	5x12, SS	7C32-0512	2							
		<b>HC2A-FGE</b>		4							
7	Thrust Washer		4A5234-01	1							
8	Upper Hinge Bracket		3A9689-01	1							
		<b>HC2A-FGE</b> <b>HC2A-FGE-FGE</b>		2							
8a	Truss Head Screw	5x12, SS	7C32-0512	2							
		<b>HC2A-FGE</b>		4							
9	Upper Hinge Bracket Washer		4A5231-01	1							
10	Upper Hinge Bracket Screw		4A5230-01	1							

**C. Door-Full Solid**  
**Right Hinged - Full Solid**  
**1/2**  
N-5 to Q-5



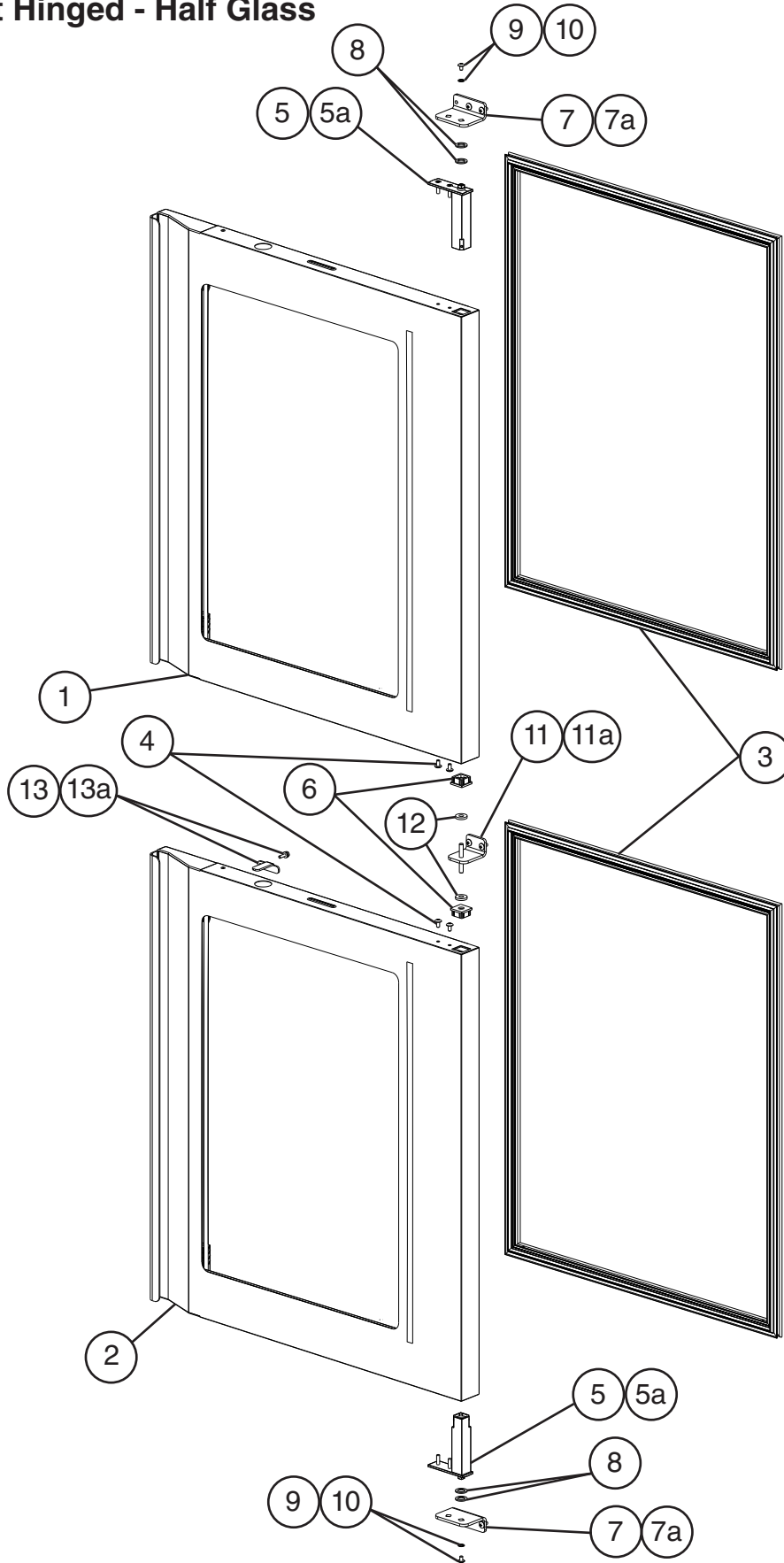
**C. Door-Full Solid**  
**Left Hinged - Full Solid**  
**2/2**

N-5 to Q-5



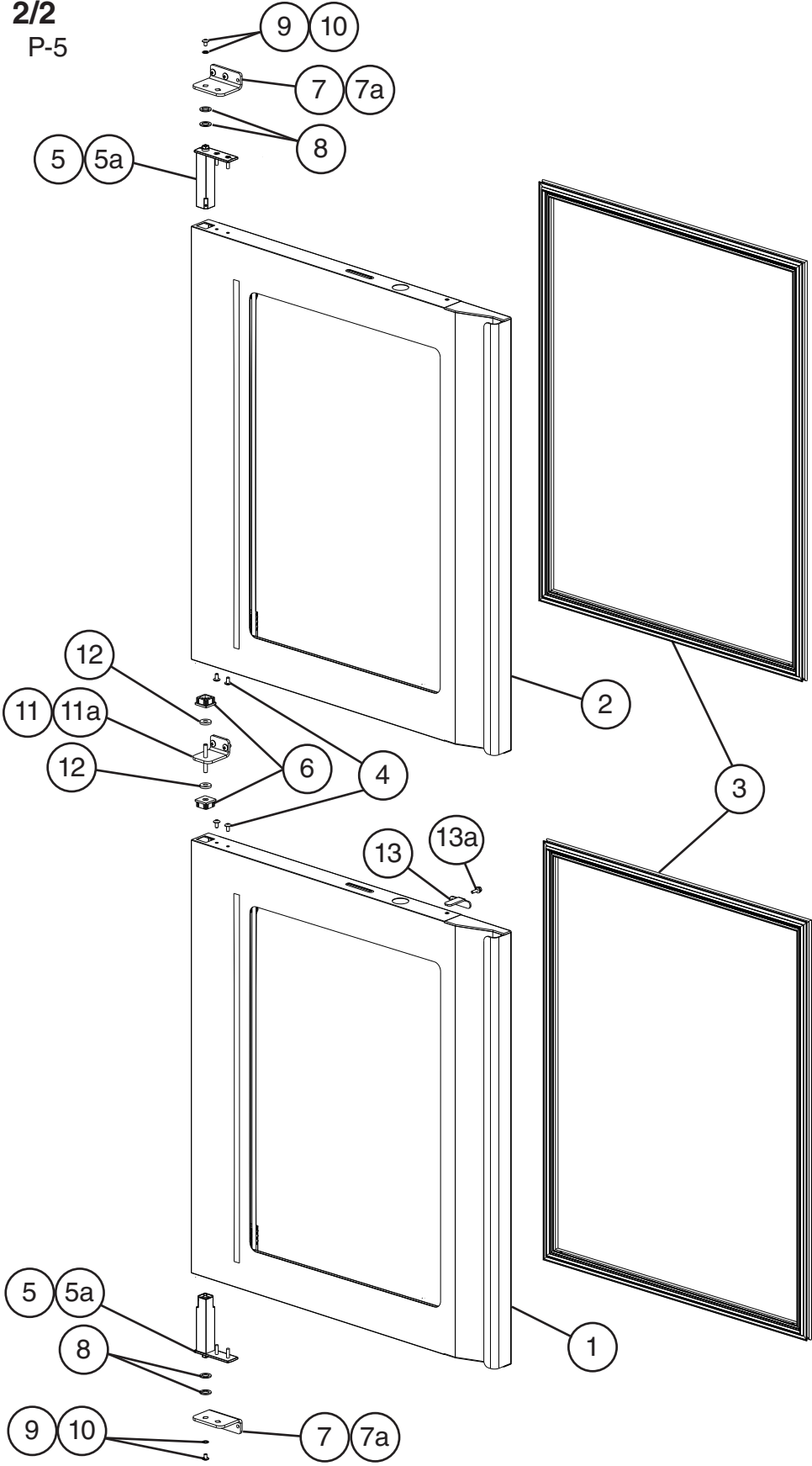
Title: C. Door-Full Solid Model: Full Solid-Right Hinged/Left-Hinged											
Index No.	Description	Material or Model Number	Part Number	N-5 to Q-5	Required Number						
1	Right Door Assembly - Right (includes items 3 through 5)	HC1A-FS	2B0491G01	1							
		HC1A-FS-FS									
		HC2A-FS									
	Left Door Assembly - Left (includes items 3 through 5)	HCRN1A-FS	2B0493G01	1							
		HCRN2A-FS									
		HCRT1A-FS-FS									
2	Door Gasket		2B0405-01	1							
		HCRN1A-FS	2B1872-01	1							
		HCRN2A-FS									
		HCRT1A-FS-FS									
3	Spring Cartridge		3A9206-01	1							
3a	Spring Cartridge Screw	5x20, SS	7C42-0520	2							
4	Truss Head Screw (Filler Screw)	5x10, SS	7C32-0510	2							
5	Nylon Bearing		4A5232-01	1							
6	Lower Hinge Bracket		3A9767G01	1							
		HCRN1A-FS	3B0215G01	1							
		HCRN2A-FS									
		HCRT1A-FS-FS									
6a	Truss Head Screw	5x12, SS	7C32-0512	2							
		HC2A-FS		4							
	Countersunk Screw	HCRN1A-FS	4A2894-01	2							
		HCRN2A-FS									
7	Thrust Washer		4A5234-01	1							
8	Upper Hinge Bracket		3A9689-01	1							
		HCRN1A-FS	3B0550-01	1							
		HCRN2A-FS									
8a	Truss Head Screw	5x12, SS	7C32-0512	2							
		HC2A-FS		4							
	Countersunk Screw	HCRN1A-FS	4A2894-01	3							
		HCRN2A-FS									
9	Upper Hinge Bracket Washer		4A5231-01	1							
10	Upper Hinge Bracket Screw		4A5230-01	1							

**D. Door-Half Glass**  
**Right Hinged - Half Glass**  
**1/2**  
P-5



**D. Door-Half Glass**  
**Left Hinged - Half Glass**

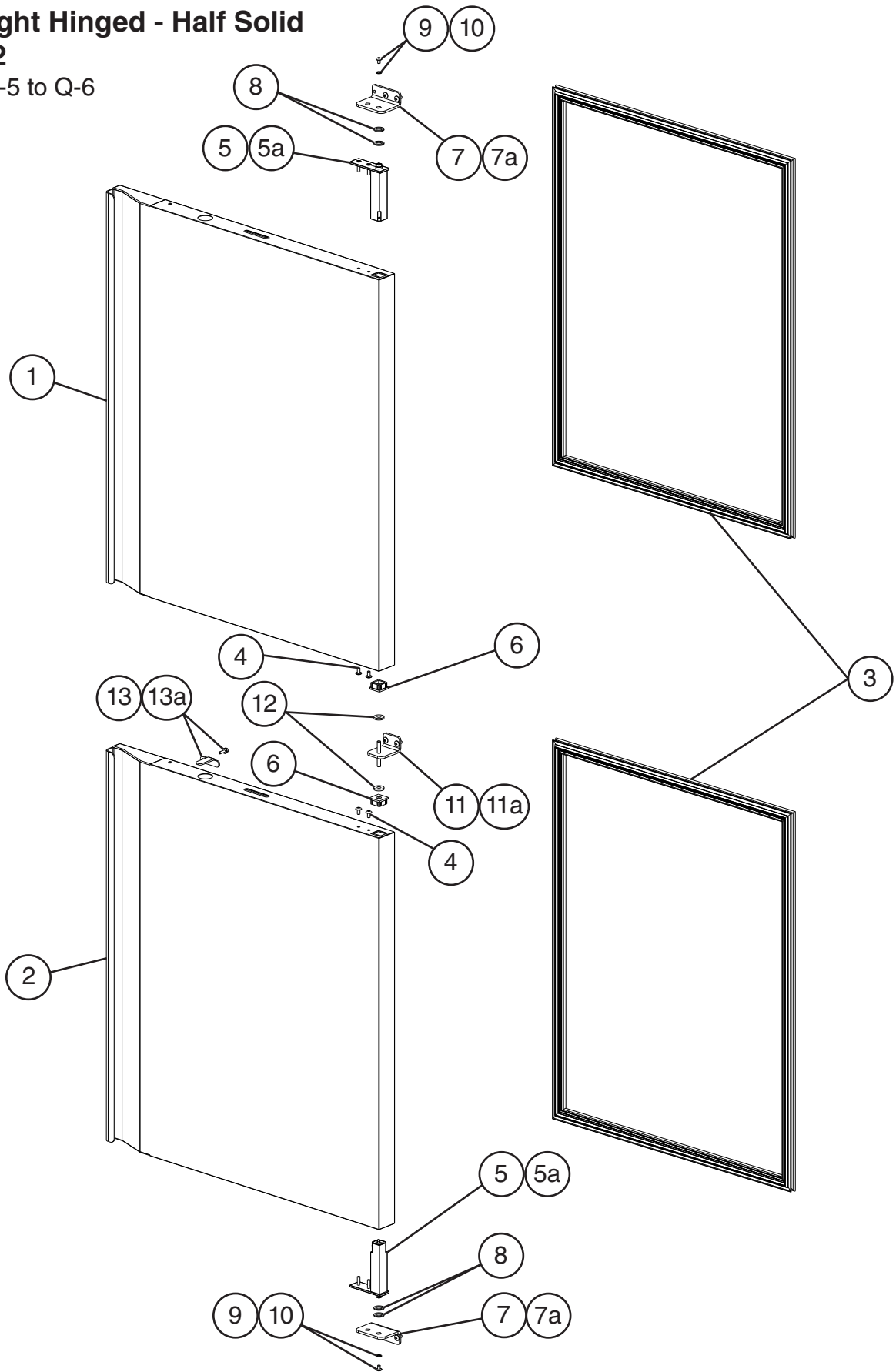
2/2  
P-5



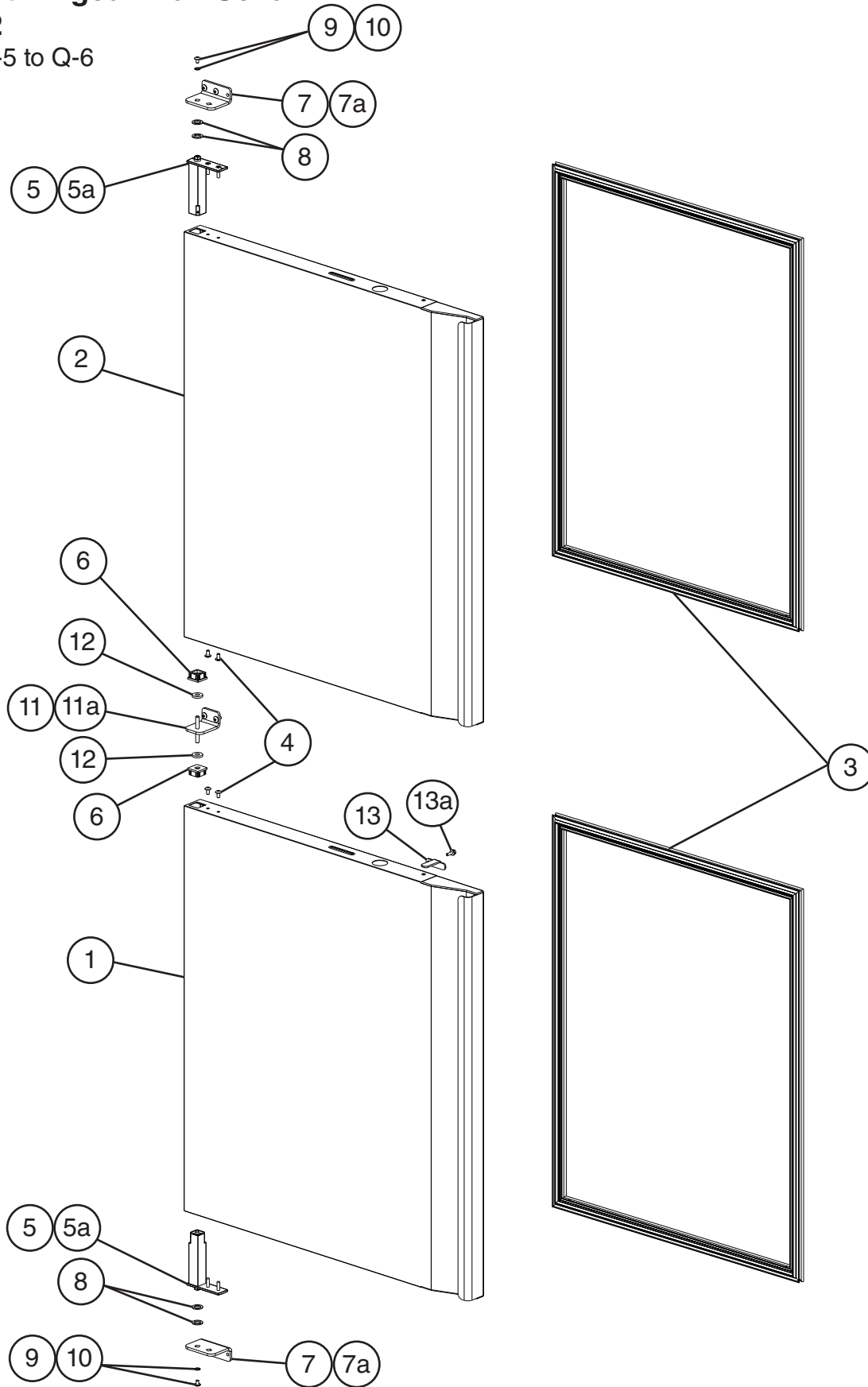
Title: D. Door-Half Glass Model: Half Glass-Right Hinged/Left-Hinged												
Index No.	Description	Material or Model Number	Part Number	Required Number								
				P-5								
1	Upper Right/Lower Left Door Assembly (includes half the quantity of items 3 through 6)	HC1A-HGE	2B0939G01	1								
		HC1A-HGE-HGE		2								
2	Lower Right/Upper Left Door Assembly (includes half the quantity of items 3 through 6)	HC1A-HGE	2B0940G01	1								
		HC1A-HGE-HGE		2								
3	Door Gasket	HC1A-HGE	2B0405-02	2								
		HC1A-HGE-HGE		4								
4	Truss Head Screw (Filler Screw)	5x10, SS	7C32-0510	4								
		HC1A-HGE		8								
5	Spring Cartridge	HC1A-HGE	3A9206-01	2								
		HC1A-HGE-HGE		4								
5a	Spring Cartridge Screw	5x20, SS	7C42-0520	4								
		HC1A-HGE		8								
6	Nylon Bearing	HC1A-HGE	4A5232-01	2								
		HC1A-HGE-HGE		4								
7	Upper/Lower Hinge Bracket	HC1A-HGE	3A9689-01	2								
		HC1A-HGE-HGE		4								
7a	Truss Head Screw	5x12, SS	7C32-0512	4								
		HC1A-HGE		8								
8	Thrust Washer	HC1A-HGE	4A5233-01	4								
		HC1A-HGE-HGE		8								
9	Lock Washer	HC1A-HGE	4A5231-01	2								
		HC1A-HGE-HGE		4								
10	Screw	HC1A-HGE	4A5230-01	2								
		HC1A-HGE-HGE		4								

Title: D. Door-Half Glass Model: Half Glass-Right Hinged/Left-Hinged												
Index No.	Description	Material or Model Number	Part Number	Required Number								
				P-5								
11	Middle Hinge Bracket		3A9767G01	1								
11a	Truss Head Screw	5x12, SS	7C32-0512	2								
12	Thrust Washer		4A5234-01	2								
13	Half-Door Lock		4A5249-01	1								
13a	Bolt		7B0230516	1								

**E. Door-Half Solid**  
**Right Hinged - Half Solid**  
**1/2**  
N-5 to Q-6



**E. Door-Half Solid**  
**Left Hinged - Half Solid**  
**2/2**  
N-5 to Q-6

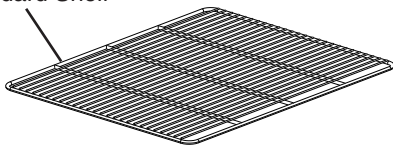
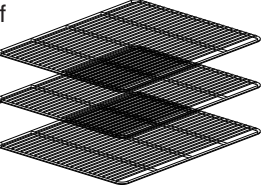
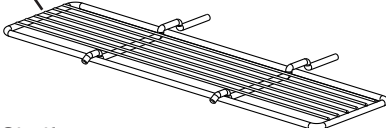
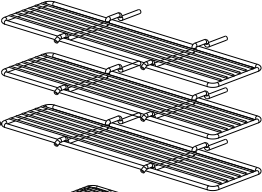
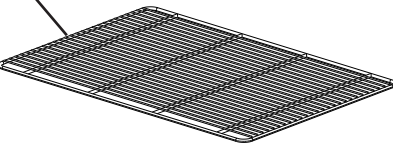
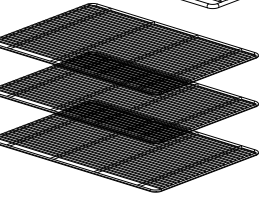
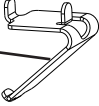


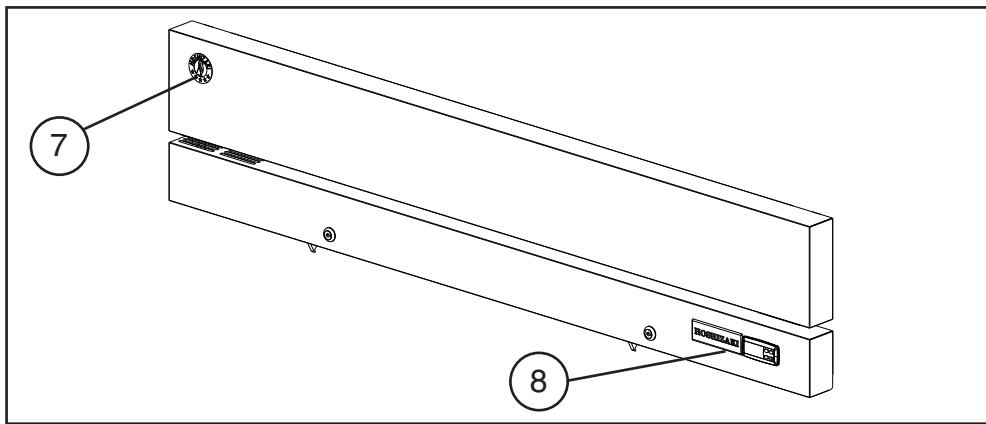
Title: E. Door-Half Solid Model: Half Solid-Right Hinged/Left-Hinged												
Index No.	Description	Material or Model Number	Part Number	Required Number								
				N-5 to Q-6								
1	Upper Right/Lower Left Door Assembly (includes half the quantity of items 3 through 6)		2B0496G01	1								
2	Lower Right/Upper Left Door Assembly (includes half the quantity of items 3 through 6)		2B0497G01	1								
3	Door Gasket		2B0405-02	2								
4	Truss Head Screw (Filler Screw)	5x10, SS	7C32-0510	4								
5	Spring Cartridge		3A9206-01	2								
5a	Spring Cartridge Screw	5x20, SS	7C42-0520	4								
6	Nylon Bearing		4A5232-01	2								
7	Upper/Lower Hinge Bracket		3A9689-01	2								
7a	Truss Head Screw	5x12, SS	7C32-0512	4								
8	Thrust Washer		4A5233-01	4								
9	Lock Washer		4A5231-01	2								
10	Screw		4A5230-01	2								
11	Middle Hinge Bracket		3A9767G01	1								
11a	Truss Head Screw	5x12, SS	7C32-0512	2								
12	Thrust Washer		4A5234-01	2								
13	Half-Door Lock		4A5249-01	1								
13a	Bolt		7B0230516	1								

**F. Accessories & Labels**

**HC1A-FGE(-FS)(-HGE)(-HS), HC2A-FGE(-FS)(-HGE)(-HS),  
HCRN1A-FS, HCRT1A-FS-FS  
HC1A-FGE-FGE(-FS-FS)(-HGE-HGE)(-HS-HS),  
HC2A-FGE-FGE(-FS-FS)(-HGE-HGE)(-HS-HS), HCRN2A-FS,  
HCRN2A-FS, HCRT2A-FS-FS**

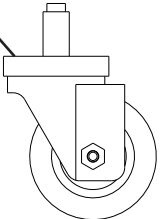
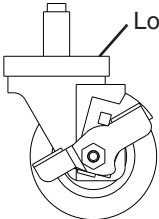
N-5 to Q-6

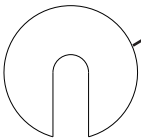
<p><b>1</b></p> <p>Standard Shelf Kit Includes 1 Standard Shelf and item 1a</p> 	<p><b>2</b></p> <p>Standard Shelf Kit Includes 3 Standard Shelves and item 2a</p> 
<p><b>3</b></p> <p>Center Shelf Kit Includes 1 Center Shelf and item 3a</p> 	<p><b>4</b></p> <p>Center Shelf Kit Includes 3 Center Shelves and item 4a</p> 
<p><b>5</b></p> <p>Stop Shelf Kit Includes 1 Stop Shelf and item 5a</p> 	<p><b>6</b></p> <p>Stop Shelf Kit Includes 3 Stop Shelves and item 6a</p> 
<p>Shelf Clip (items 1a, 2a, 3a, 4a, 5a, 6a)</p> 	



**Caster Pack Kit**

**Caster Shim Kit**

<p><b>9</b></p> <p>Caster Pack Kit Includes 1 non-locking caster and 1 locking caster</p>  
---

<p><b>10</b></p> <p>Caster Shim Kit Includes 6 caster shims</p> 	<p><b>11</b></p>
---	------------------

<b>Title: F. Accessories &amp; Labels    Model: HC1A-FGE(-FS)(-HGE)(-HS), HC2A-FGE(-FS)(-HGE)(-HS),  HCRN1A-FS, HCRT1A-FS-FS  HC1A-FGE-FGE(-FS-FS)(-HGE-HGE)(-HS-HS),  HC2A-FGE-FGE(-FS-FS)(-HGE-HGE)(-HS-HS), HCRN2A-FS, HCRT2A-FS-FS</b>											
	Description	Material or Model Number	Part Number	N-5 to Q-6	Required Number						
1	Standard Shelf Kit (Includes 1 Standard Shelf and item 1a)	HS-5052 <b>HC_A-FGE(-HGE)</b> <b>HC_A-FS(-HS)</b>	3A6901A01	1							
1a	Shelf Clip		428957-01	4							
2	Standard Shelf Kit (Includes 3 Standard Shelves and item 2a)	HS-5053 <b>HC1A-FGE(-HGE)</b> <b>HC1A-FS(-HS)</b>	3A6902A01	1							
		<b>HC2A-FGE(-HGE)</b> <b>HC2A-FS(-HS)</b>		2							
2a	Shelf Clip		428957-01	12							
3	Center Shelf Kit (Includes 1 Center Shelf and item 3a)	HS-5388 <b>HC2A-FGE(-HGE)</b> <b>HC2A-FS(-HS)</b> <b>HC2A-FGE-FGE</b> <b>HC2A-FS-FS</b> <b>HC2A-HGE-HGE</b> <b>HC2A-HS-HS</b>	3A9919A01	1							
3a	Shelf Clip		428957-01	1							
4	Center Shelf Kit (Includes 3 Center Shelves and item 4a)	HS-5389 <b>HC2A-FGE(-HGE)</b> <b>HC2A-FS(-HS)</b> <b>HC2A-FGE-FGE</b> <b>HC2A-FS-FS</b> <b>HC2A-HGE-HGE</b> <b>HC2A-HS-HS</b>	3A9920A01	1							
4a	Shelf Clip		428957-01	3							
5	Stop Shelf Kit (Includes 1 Stop Shelf and item 5a)	HS-3551 <b>HC_A-FGE-FGE</b> <b>HC_A-FS-FS</b> <b>HC_A-HGE-HGE</b> <b>HC_A-HS-HS</b>	3A1416A05	1							
5a	Shelf Clip		428957-01	4							
6	Stop Shelf Kit (Includes 3 Stop Shelves and item 6a)	HS-3550 <b>HC_A-FGE-FGE</b> <b>HC_A-FS-FS</b> <b>HC_A-HGE-HGE</b> <b>HC_A-HS-HS</b>	3A4447A01	1							
6a	Shelf Clip		428957-01	12							
7	Penguin Label		475552L02	1							
8	Hoshizaki Label		4A6943-01	1							
<b>Stem Caster</b>											
9	4-inch Caster Pack Kit (includes 1 non-locking caster and 1 locking caster)	HS-3546 (All Models Except Roll-ins)	4A1347-03	2							
10	Caster Shim Kit (includes all of item 11)	HS-3590	4A3659A01	1							
11	Caster Shim		4A3658-01	6							