



HOSHIZAKI

Parts List

HX Series

Heated Medical Equipment

Models

HXH CIA

Full Glass (FGE), Full Solid (FS)

Half Glass (HGE), Half Solid (HS)

CONTENTS

Auxiliary Codes.....	3
Note About Ordering Parts	3
A. Main Assembly	4
HXHC1A(-FS)(-HS).....	4
HXHC1A(-FGE)(-HGE)	5
B. Door-Full Solid(-FS)/Full Glass(-FGE)	7
C. Door-Half Solid(-HS)/Half Glass(-HGE).....	9
D. Accessories & Labels	11

Auxiliary Codes

HXHC1A-FS

TBD

HXHC1A-FGE

TBD

HXHC1A-HS

TBD

HXHC1A-HGE

Q-5 October 2025

Auxiliary Code Breakdown

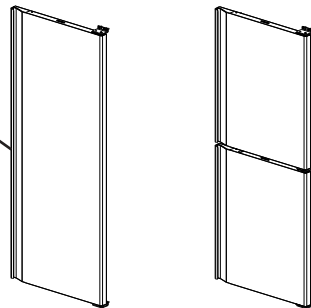
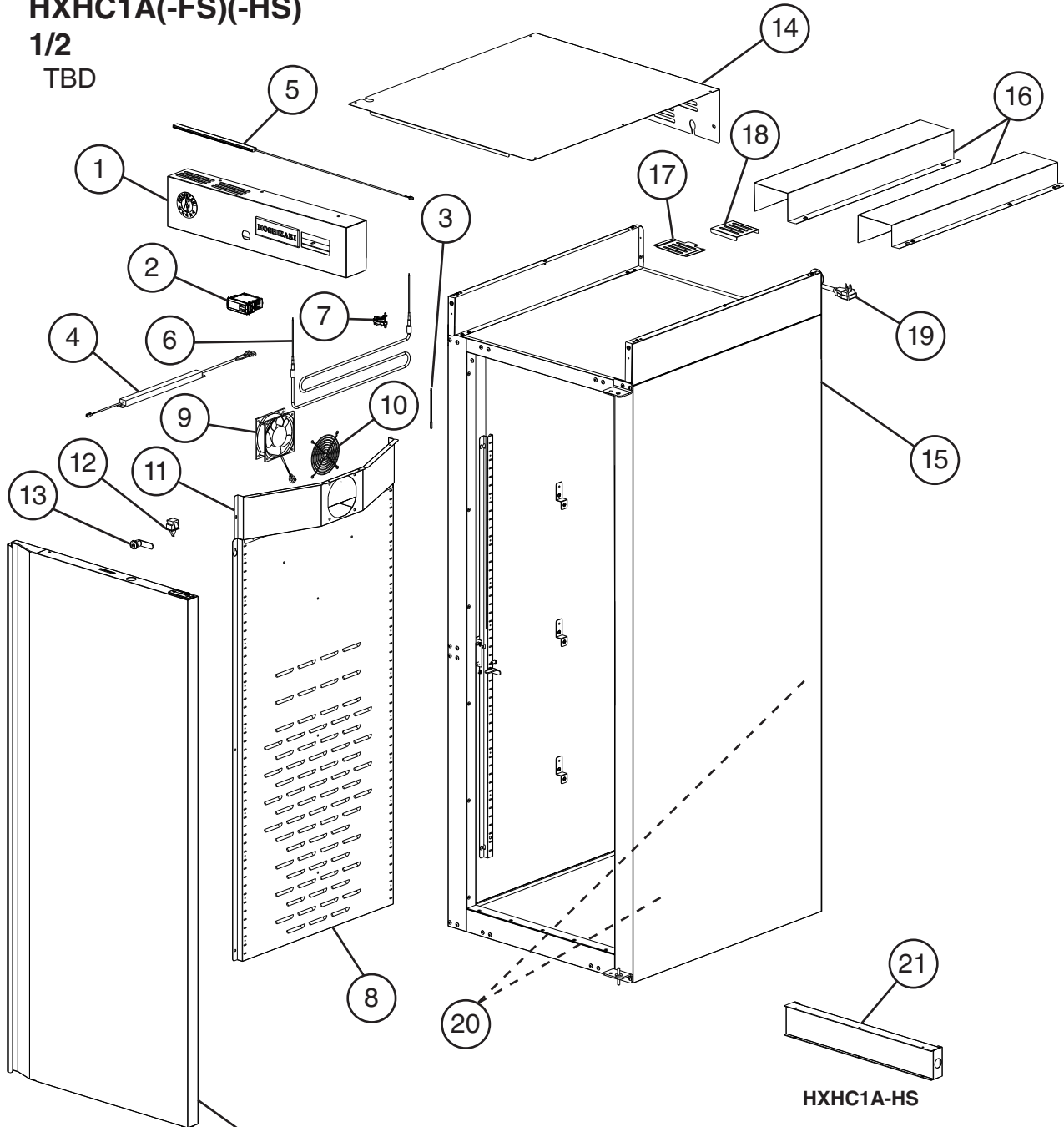
The auxiliary code is the first two characters in the serial number. The first character indicates the year. Years progress or regress in alphabetical order. The series runs from "A" through "V" and the letters "I" and "O" are skipped. The second character indicates significant part changes within a year. Base is "5" and this number advances for each change. In cases where there is a letter in parentheses, this designates the month. This is the last character in the serial number. The series runs from "(A)" through "(M)" and the letter "(I)" is skipped. This designation is only included when identifying a parts change within an auxiliary code.

Note About Ordering Parts

Most assemblies cannot be ordered as complete units; parts in the assemblies generally must be ordered separately.

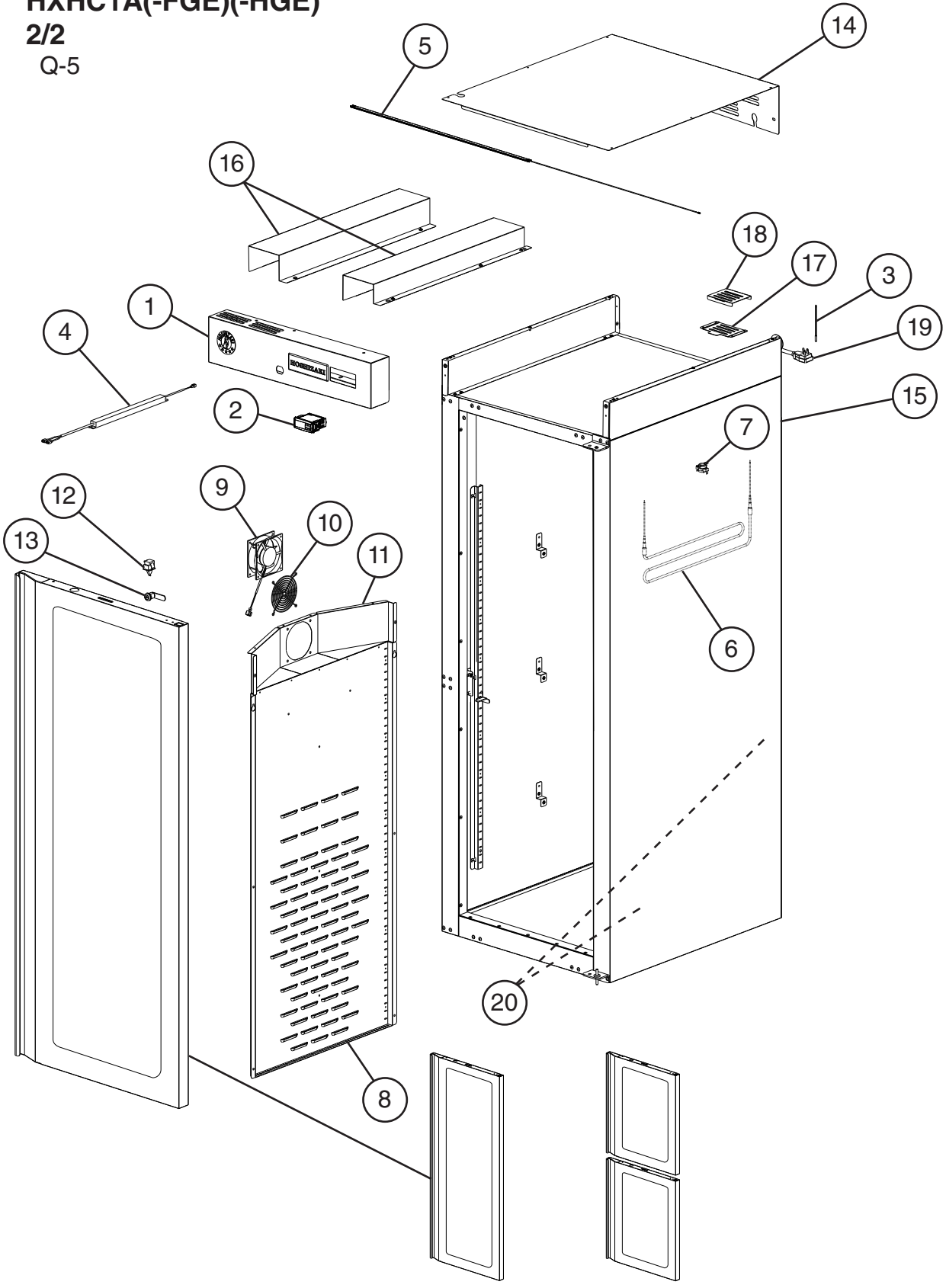
A. Main Assembly
HXHC1A(-FS)(-HS)

1/2
 TBD



Full Solid(-FS) Half Solid(-HS)
 For Doors, see Section "B" and "C"

A. Main Assembly
HXHC1A(-FGE)(-HGE)
 2/2
 Q-5

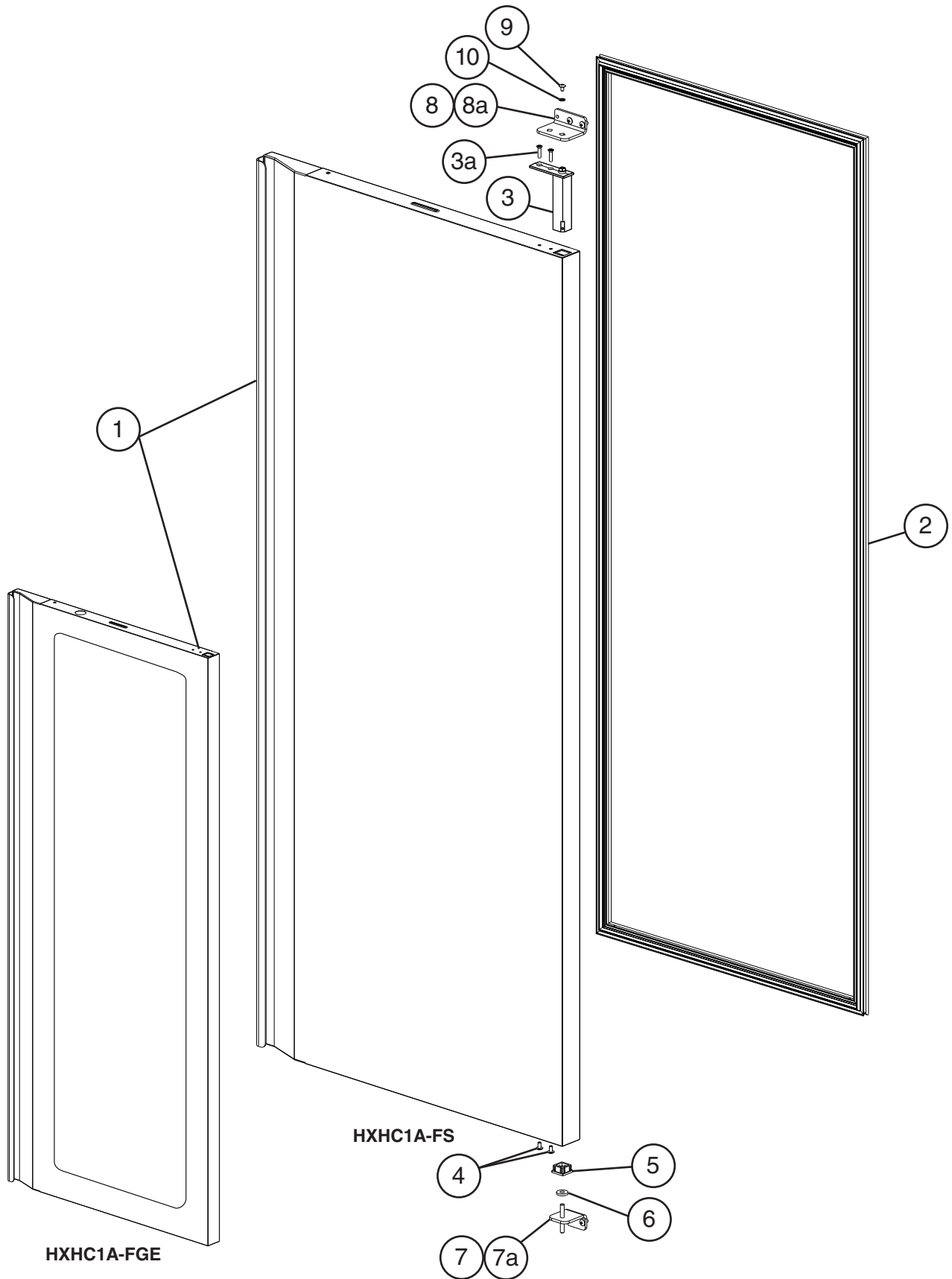


Full Glass(-FGE) Half Glass(-HGE)
 For Doors, see Section "B" and "C"

Title: A. Main Assembly Model: HXHC1A(-FS)(-FGE)(-HS)(-HGE)												
Index No.	Description	Material or Model Number	Part Number	Required Number								
				Q-5								
1	Front Control Panel		3B2423G01	1								
2	Control Module	HXHC1A-FS HXHC1A-HS	4A7927-01	1								
		HXHC1A-FGE HXHC1A-HGE	4A7906-01	1								
3	Cabinet Thermistor (Defrost)		4A7083-01	1								
4	LED Driver		3A9867-01	1								
5	LED Lamp		3B1412-01	1								
6	Cabinet Heater		2B0255-01	1								
7	Safety Thermostat		4A7261-01	1								
8	Air Duct Panel		1A6785-01	1								
9	Fan Motor		4A7244-01	1								
10	Fan Guard		4A5831-01	1								
11	Fan Motor Shroud		2B0396-01	1								
12	Door Switch		3B2145-01	1								
13	Door Lock		4A4924-01	1								
14	Top Panel Cover		2B1653-01	1								
15	Side Panel		2B1651-01	2								
16	Top Panel Support		2B1652-01	2								
17	Vent Mount		3B1351-01	1								
18	Vent Plate		3B1352-01	1								
19	Power Supply Cord/Wire Harness		4A7784-01	1								
20	Pilaster		3A0145-01	2								
21	Horizontal Mullion	HXHC1A-HS HXHC1A-HGE	2B0498A01	2								

B. Door-Full Solid(-FS)/Full Glass(-FGE)

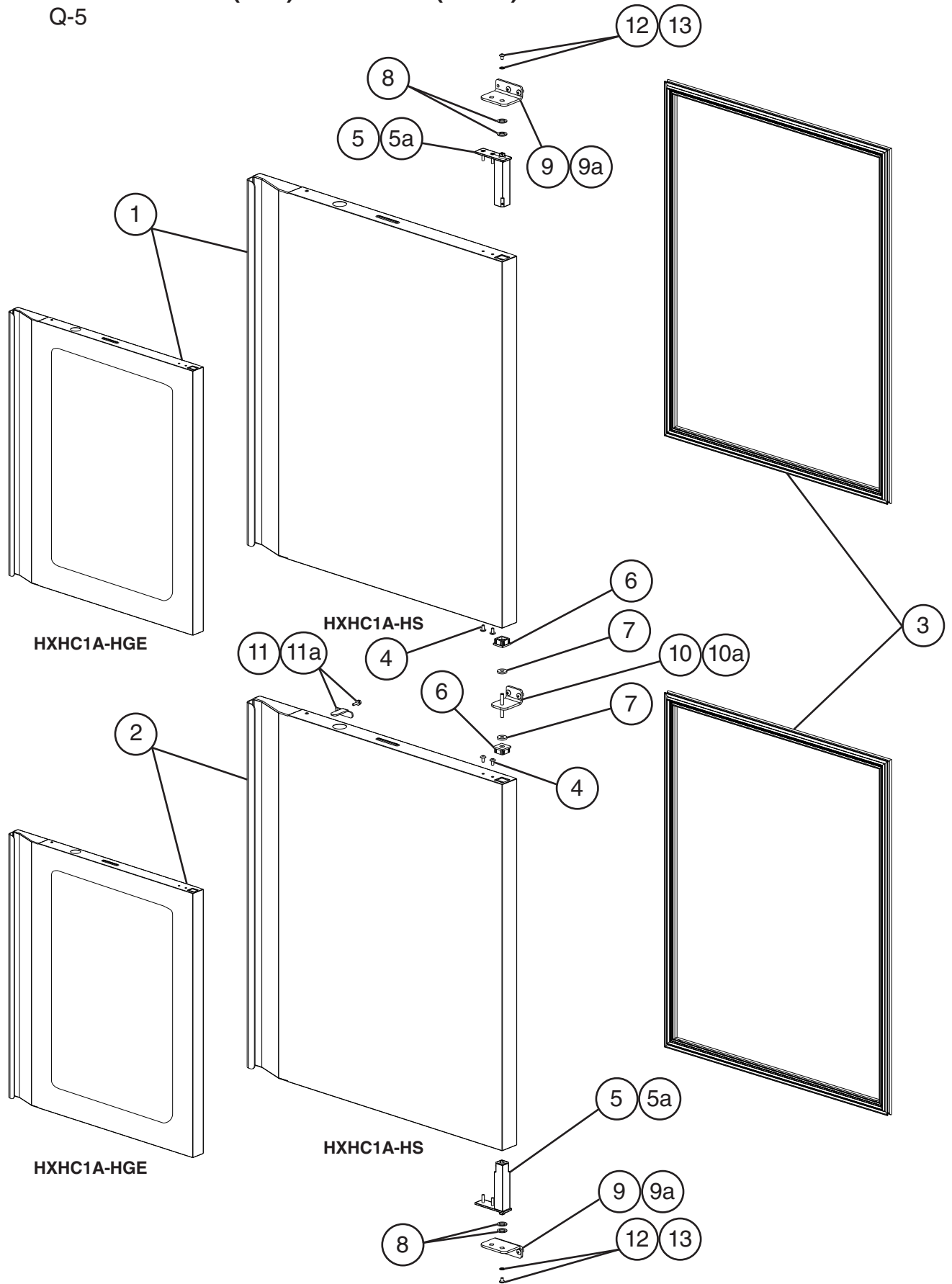
Q-5



Title: B. Door-Full Solid/Full Glass Model: HXHC1A-FS(-FGE)												
Index No.	Description	Material or Model Number	Part Number	Required Number								
				TBD								
1	Full Door Assembly - Right (includes items 2 through 5)	HXHC1A-FS	2B0491G01	1								
	Full Glass Heated Door - Right (includes items 2 through 5)	HXHC1A-FGE	2B0934G01	1								
2	Door Gasket		2B0405-01	1								
3	Spring Cartridge Hinge		3A9206-01	1								
3a	Spring Cartridge Screw	5x20, SS	7C42-0520	2								
4	Truss Head Screw (Filler Screw)	5x10, SS	7C32-0510	2								
5	Nylon Bearing		4A5232-01	1								
6	Thrust Washer A		4A5234-01	2								
7	Lower Hinge Bracket		3A9767G01	1								
7a	Truss Head Screw	5x12, SS	7C32-0512	2								
8	Upper Hinge Bracket		3A9689-01	1								
8a	Truss Head Screw	5x12, SS	7C32-0512	2								
9	Upper Hinge Bracket Washer		4A5231-01	2								
10	Upper Hinge Bracket Screw		4A5230-01	2								

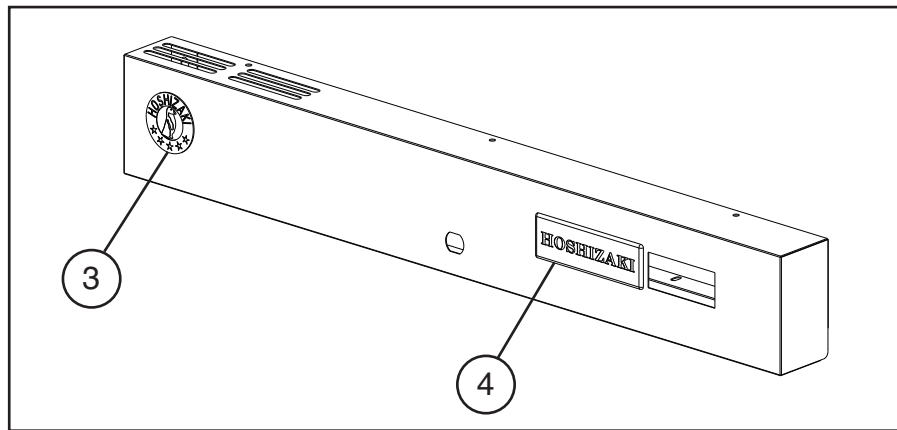
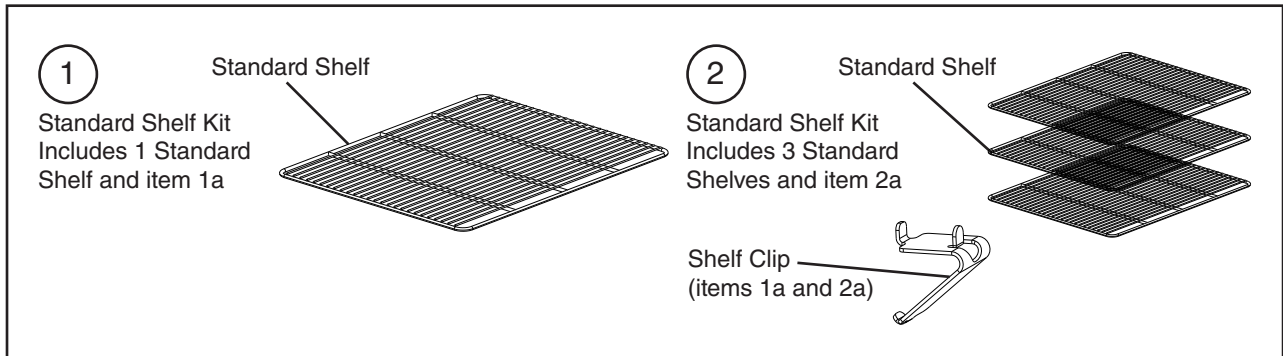
C. Door-Half Solid(-HS)/Half Glass(-HGE)

Q-5

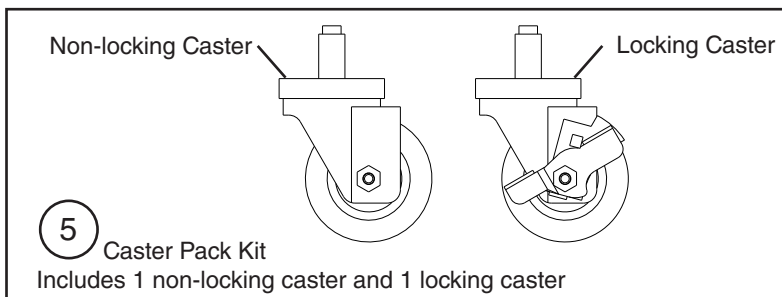


Title: C. Door-Half Solid/Half Glass Model: HXHC1A-HS(-HGE)												
Index No.	Description	Material or Model Number	Part Number	Required Number								
				Q-5								
1	Upper Right/Lower Left Door Assembly (includes half the quantity of items 3 through 6)		2B0496G01	1								
	Upper Right/Lower Left Glass Door Assembly (includes half the quantity of items 3 through 6)		2B0939G01	1								
2	Lower Right/Upper Left Door Assembly (includes half the quantity of items 3 through 6)		2B0497G01	1								
	Lower Right/Upper Glass Left Door Assembly (includes half the quantity of items 3 through 6)		2B0940G01	1								
3	Door Gasket		2B0405-02	2								
4	Truss Head Screw (Filler Screw)	5x10, SS	7C32-0510	4								
5	Spring Cartridge		3A9206-01	2								
5a	Spring Cartridge Screw	5x20, SS	7C42-0520	4								
6	Nylon Bearing		4A5232-01	2								
7	Thrust Washer A		4A5234-01	2								
8	Thrust Washer B		4A5233-01	4								
9	Upper/Lower Hinge Bracket		3A9689-01	2								
9a	Truss Head Screw	5x12, SS	7C32-0512	4								
10	Middle Hinge Bracket		3A9767G01	1								
10a	Truss Head Screw	5x12, SS	7C32-0512	2								
11	Half-Door Lock		4A5249-01	1								
11a	Bolt		7B0230516	1								
12	Upper Hinge Bracket Washer		4A5231-01	2								
13	Upper Hinge Bracket Screw		4A5230-01	2								

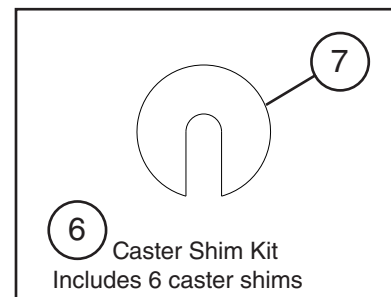
D. Accessories & Labels
HXHC1A-FS (-FGE), HXHC1A-HS (-HGE)
 Q-5



Caster Pack Kit



Caster Shim Kit



Title: D. Accessories & Labels Model: HXHC1A-FS, (-FGE), HXHC1A-HS, (-HGE)												
Index No.	Description	Material or Model Number	Part Number	Required Number								
				Q-5								
1	Standard Shelf Kit (includes 1 Standard Shelf and item 1a)	HS-5052	3A6901A01	1								
1a	Shelf Clip		428957-01	4								
2	Standard Shelf Kit (includes 3 Standard Shelves and item 2a)	HS-5053	3A6902A01	1								
2a	Shelf Clip		428957-01	12								
3	Penguin Label		475552L02	1								
4	Hoshizaki Label		4A6943-01	1								
Stem Caster												
5	4-inch Caster Pack Kit (includes 1 locking caster and 1 non-locking caster)	HS-3546	4A1347-03	2								
6	Caster Shim Kit (includes item 7)	HS-3590	4A3659A01	1								
7	Caster Shim		4A3658-01	6								