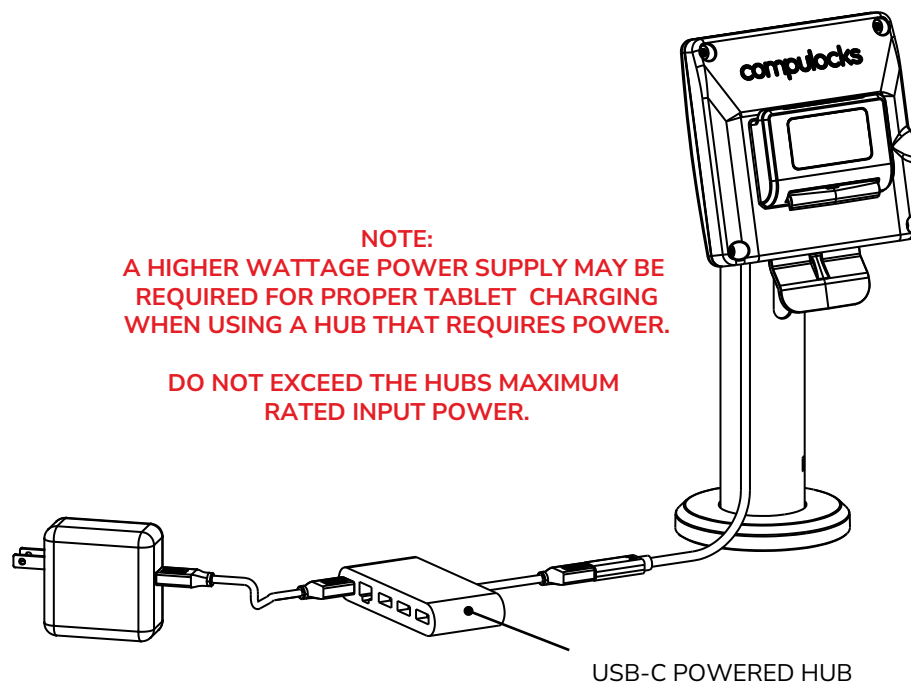
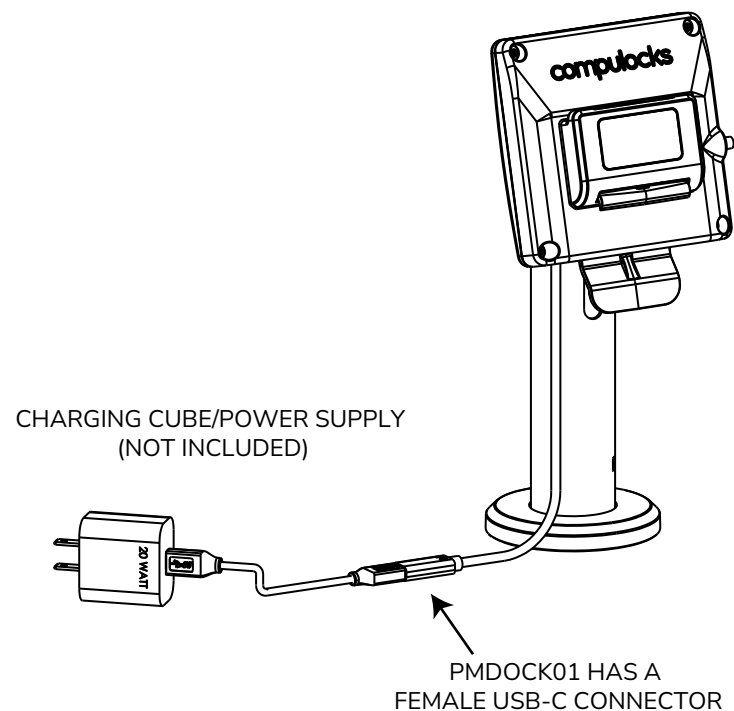
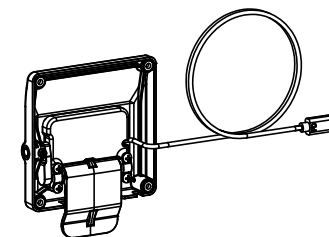
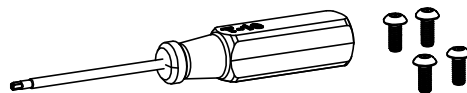


Tablet Charge PD Compatible

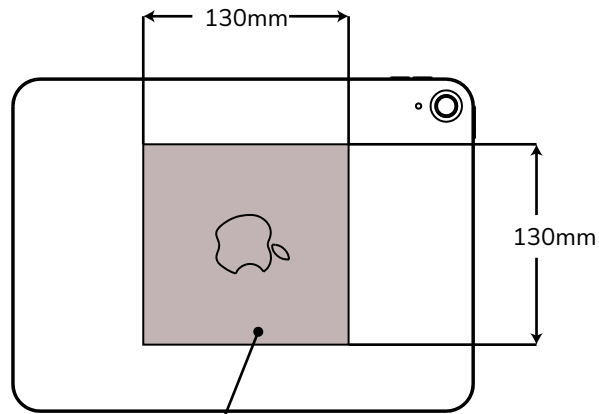
Tablet Data and Charge PD Compatible



IN THE BOX



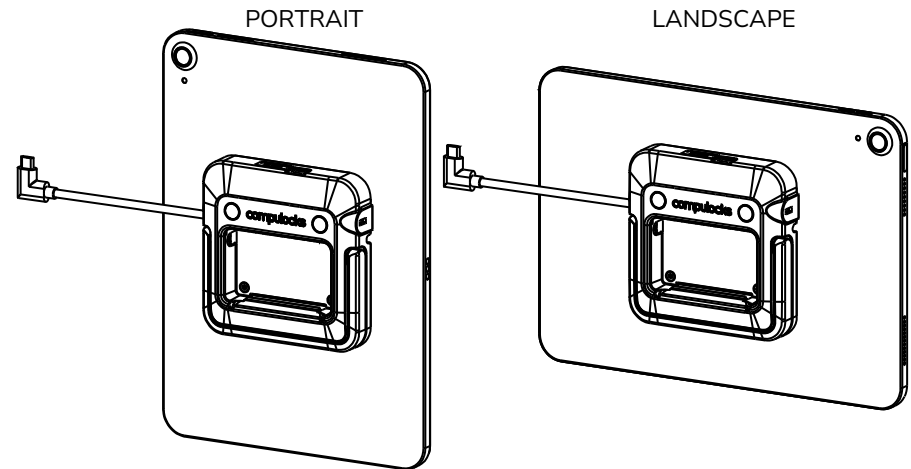
1



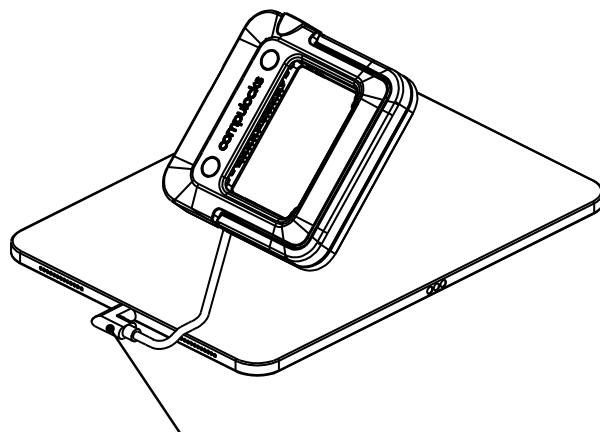
USING ALCOHOL PAD PROVIDED,
CLEAN 130mm SQUARE AREA CENTERED ON THE BACK OF THE TABLET.
ALLOW TO AIR DRY

2

SELECT THE ORIENTATION
OF THE CONNECTOR ON THE TABLET



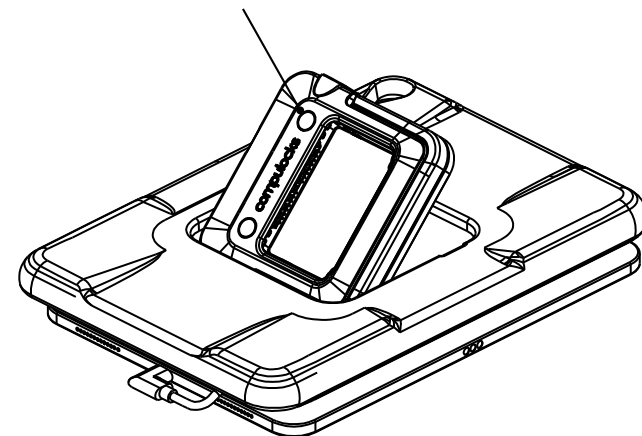
3



INSTALL RIGHT ANGLE USB-C CABLE
AS SHOWN

4

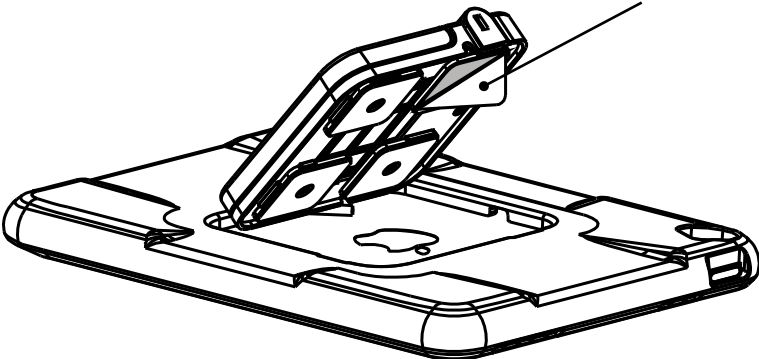
PASS CONNECTOR THROUGH CASE*
AND INSTALL CASE ON TABLET



*CASE SOLD SEPARATELY

5

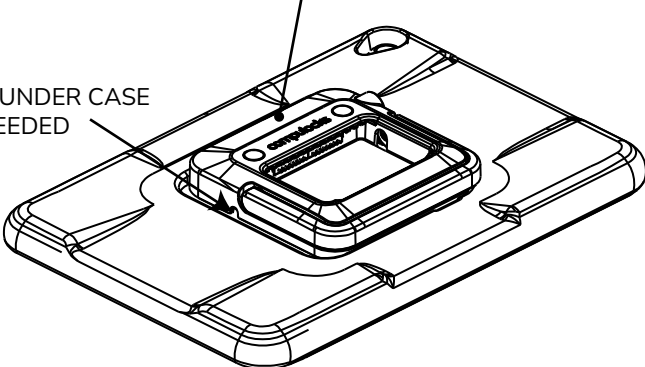
REMOVE COVERS TO EXPOSE
ADHESIVE ON ALL 4 PADS



6

CENTER CONNECTOR ON OPENING
IN CASE AND ADHERE TO TABLET WITH MILD PRESSURE

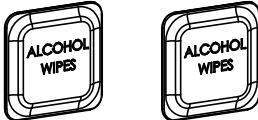
FEED CABLE UNDER CASE
AS NEEDED



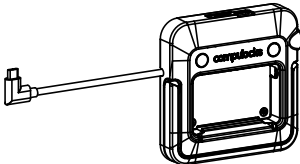
NOTE:
TABLET AND CONNECTOR SHOULD BE AT
ROOM TEMPERATURE FOR BEST RESULTS

FOR BEST PERFORMANCE ALLOW
CONNECTOR TO BOND TO TABLET FOR 12 HOURS.

IN THE BOX



Alcohol Wipes



PowerMove Connector