

ACR162GNSF456



22.88" x 18.75" x 18" (H x W x D)

Compact healthcare all-refrigerator certified to NSF/ANSI 456 with self-closing glass door, front lock, digital controls, and NIST-calibrated temperature readout

Highlights:

Specially designed to meet current CDC/VFC/VFA vaccine refrigeration guidelines for convenient storage in pharmacies, medical offices, and other healthcare facilities

Certified to NSF/ANSI 456 Vaccine Storage Standard

Designed and constructed for reliable cold storage in healthcare facilities

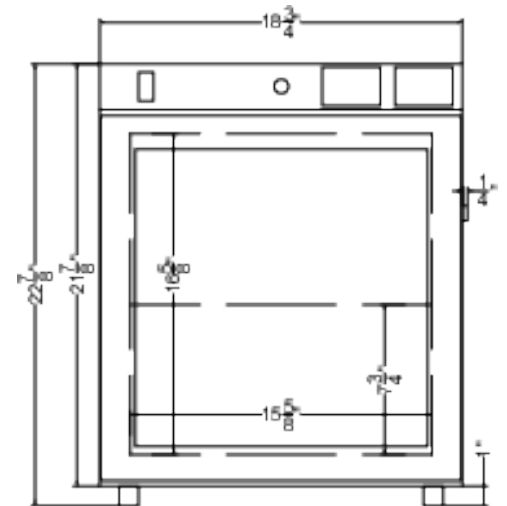
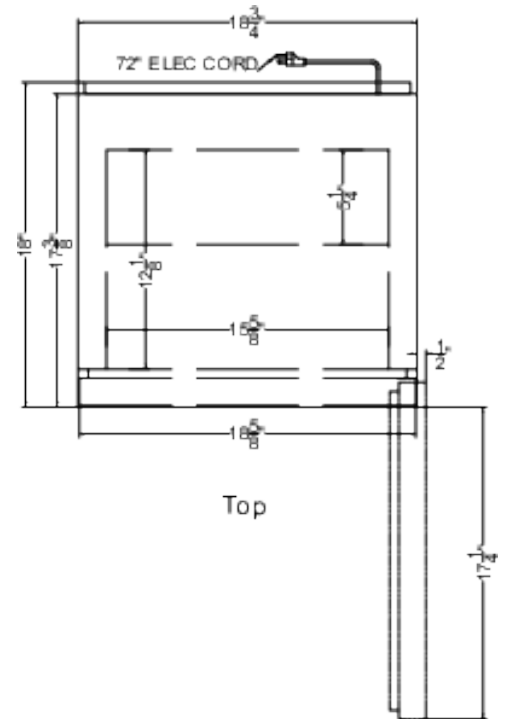
Product Features:

EQTemp Medical Refrigerator	All-refrigerator designed to operate between 2 and 8°C for a variety of storage application in medical offices and other healthcare facilities
Certified to NSF/ANSI 456 Vaccine Storage Standard	Tested to comply with the latest standards
Certificate of calibration included	The temperature monitoring device (TMD) is calibrated to NIST standards in our ISO/IEC 17025:2017 certified calibration laboratory and ships with a 2-year certificate of calibration for your records
Temperature Range: 2° to 8°C	Preset to 5°C as recommended for many storage applications
Compact size	Full 1.58 cu.ft. capacity inside conveniently slim footprint
External temperature readout	Includes continuous display of the current interior and high/low temperature, and can be switched from Celsius to Fahrenheit at the touch of a button
High/low temperature alarm	Audible alarm sounds if the interior temperature rises or falls out of set range
Buffered temperature probe	Thermometer probe is encased in a glass bead-filled bottle and stored in a fixed box on the center shelf. This is the ideal way to produce temperature readings closest to stored contents, as recommended by the CDC, VFC and VFA's guidelines

ACR162GNSF456 Specifications:

Overview	
Nominal Height	23.0" (58 cm)
Height of Cabinet	22.88" (58 cm)
Nominal Width	19.0" (48 cm)
Width	18.75" (48 cm)
Width with Door Open	19.25" (49 cm)
Nominal Depth	18.0" (46 cm)
Depth	18.0" (46 cm)
Depth with door at 90°	33.75" (86 cm)
Capacity	1.58 cu.ft. (45 L)
Defrost Type	Automatic
Door	Glass
Cabinet	White
US Electrical Safety	ETL
Canadian Electrical Safety	ETL-C
Sanitation	ETL-S to NSF 456
Amps	0.6
Voltage/Frequency	115 V AC/60 Hz
Weight	49.6 lbs. (22 kg)
Parts & Labor Warranty	1 Year
Compressor Warranty	5 Years
UPC	761101083124
Refrigerator Features	
Door Swing	RHD
Reversible	Factory Reversible
Shelf Type	Wire
Shelf Qty	1
Thermostat Type	Digital
Fan Type	Interior
Refrigerant Type	R600a
Refrigerant Amount	0.85oz.
High Side PSI	1.45
Low Side PSI	0.85
Level Legs Qty	2
Interior Light	Yes
Temperature Range	2° to 8°C
Sound Level	35.4 dB
Dimensions	

Interior Height	16.63" (42 cm)
Interior Width	15.63" (40 cm)
Interior Depth	12.13" (31 cm)
Compressor Step Height	7.75" (20 cm)
Compressor Step Width	15.63" (40 cm)
Compressor Step Depth	5.25" (13 cm)



Front

ACR162GNSF456LHD



22.88" x 18.75" x 18" (H x W x D)

Compact healthcare all-refrigerator certified to NSF/ANSI 456 with self-closing glass door, front lock, digital controls, and NIST-calibrated temperature readout

Highlights:

Specially designed to meet current CDC/VFC/VFA vaccine refrigeration guidelines for convenient storage in pharmacies, medical offices, and other healthcare facilities

Certified to NSF/ANSI 456 Vaccine Storage Standard

Designed and constructed for reliable cold storage in healthcare facilities

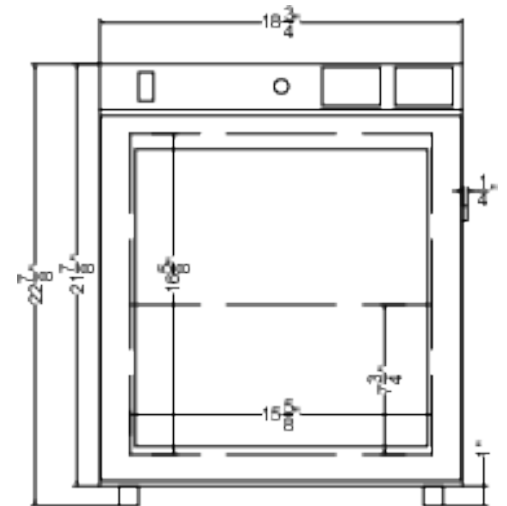
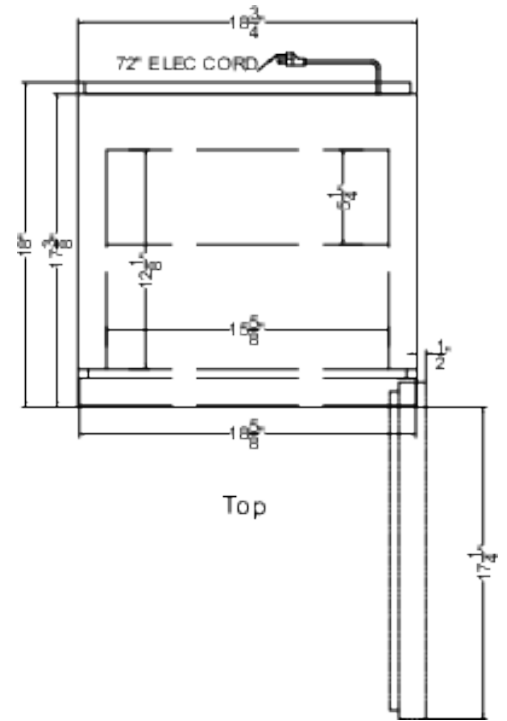
Product Features:

EQTemp Medical Refrigerator	All-refrigerator designed to operate between 2 and 8°C for a variety of storage application in medical offices and other healthcare facilities
Certified to NSF/ANSI 456 Vaccine Storage Standard	Tested to comply with the latest standards
Certificate of calibration included	The temperature monitoring device (TMD) is calibrated to NIST standards in our ISO/IEC 17025:2017 certified calibration laboratory and ships with a 2-year certificate of calibration for your records
Temperature Range: 2° to 8°C	Preset to 5°C as recommended for many storage applications
Compact size	Full 1.58 cu.ft. capacity inside conveniently slim footprint
External temperature readout	Includes continuous display of the current interior and high/low temperature, and can be switched from Celsius to Fahrenheit at the touch of a button
High/low temperature alarm	Audible alarm sounds if the interior temperature rises or falls out of set range
Buffered temperature probe	Thermometer probe is encased in a glass bead-filled bottle and stored in a fixed box on the center shelf. This is the ideal way to produce temperature readings closest to stored contents, as recommended by the CDC, VFC and VFA's guidelines

ACR162GNSF456LHD Specifications:

Overview	
Nominal Height	23.0" (58 cm)
Height of Cabinet	22.88" (58 cm)
Nominal Width	19.0" (48 cm)
Width	18.75" (48 cm)
Width with Door Open	19.25" (49 cm)
Nominal Depth	18.0" (46 cm)
Depth	18.0" (46 cm)
Depth with door at 90°	33.75" (86 cm)
Capacity	1.58 cu.ft. (45 L)
Defrost Type	Automatic
Door	Glass
Cabinet	White
US Electrical Safety	ETL
Canadian Electrical Safety	ETL-C
Sanitation	ETL-S to NSF 456
Amps	0.6
Voltage/Frequency	115 V AC/60 Hz
Weight	49.6 lbs. (22 kg)
Parts & Labor Warranty	1 Year
Compressor Warranty	5 Years
UPC	761101107738
Refrigerator Features	
Door Swing	LHD
Reversible	Factory Reversible
Shelf Type	Wire
Shelf Qty	1
Thermostat Type	Digital
Fan Type	Interior
Refrigerant Type	R600a
Refrigerant Amount	0.85oz.
High Side PSI	1.45
Low Side PSI	0.85
Level Legs Qty	2
Interior Light	Yes
Temperature Range	2° to 8°C
Sound Level	35.4 dB
Dimensions	

Interior Height	16.63" (42 cm)
Interior Width	15.63" (40 cm)
Interior Depth	12.13" (31 cm)
Compressor Step Height	7.75" (20 cm)
Compressor Step Width	15.63" (40 cm)
Compressor Step Depth	5.25" (13 cm)



Front