

ACR1601WNSF456



76.75" x 23.38" x 28.13" (H x W x D)

Upright healthcare all-refrigerator certified to NSF/ANSI 456 with self-closing solid door, front lock, digital controls, and NIST calibrated temperature readout

Highlights:

Certified to NSF/ANSI 456 Vaccine Storage Standard

Specially designed to meet current CDC/VFC/VFA vaccine refrigeration guidelines for convenient storage in pharmacies, medical offices, and other healthcare facilities

External temperature readout of the current and high/low temperatures

Product Features:

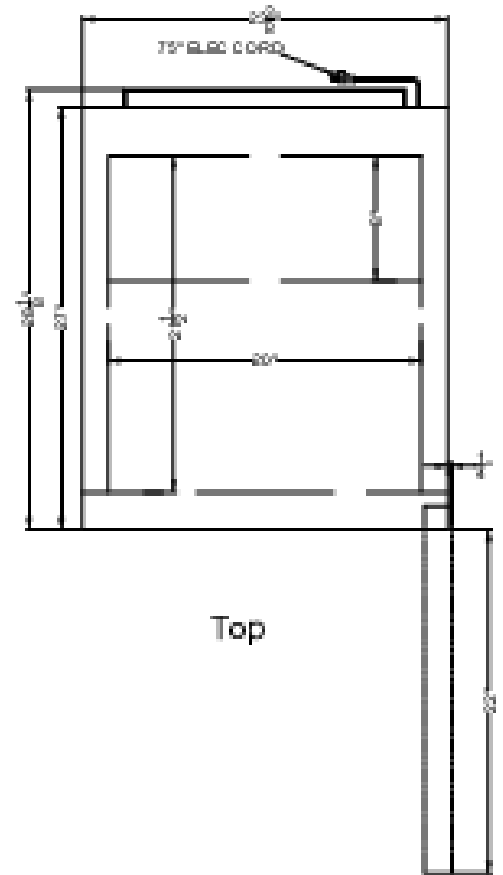
EQTemp Medical Refrigerator	All-refrigerator designed to operate between 2 and 8°C for a variety of storage application in medical offices and other healthcare facilities
Certified to NSF/ANSI 456 Vaccine Storage Standard	Tested to comply with the latest standards
Certificate of calibration included	The temperature monitoring device (TMD) is calibrated to NIST standards in our ISO/IEC 17025:2017 certified calibration laboratory and ships with a 2-year certificate of calibration for your records
Factory installed lock	Keyed lock for a secure interior (2 keys included)
Access port	3/8" probe hole with cover is pre-installed in unit's side to allow easy installation of user-provided monitoring equipment
Buffered temperature probe	Thermometer probe is encased in a glass bead-filled bottle and stored in a fixed box on the center shelf. This is the ideal way to produce temperature readings closest to stored contents, as recommended by the CDC, VFC and VFA's guidelines
High/low temperature alarm	Thermometer probe is encased in a glass bead-filled bottle and stored in a fixed box on the center shelf. This is the ideal way to produce temperature readings closest to stored contents, as recommended by the CDC, VFC and VFA's guidelines
Large capacity	Full 15.53 cu.ft. capacity inside conveniently slim footprint

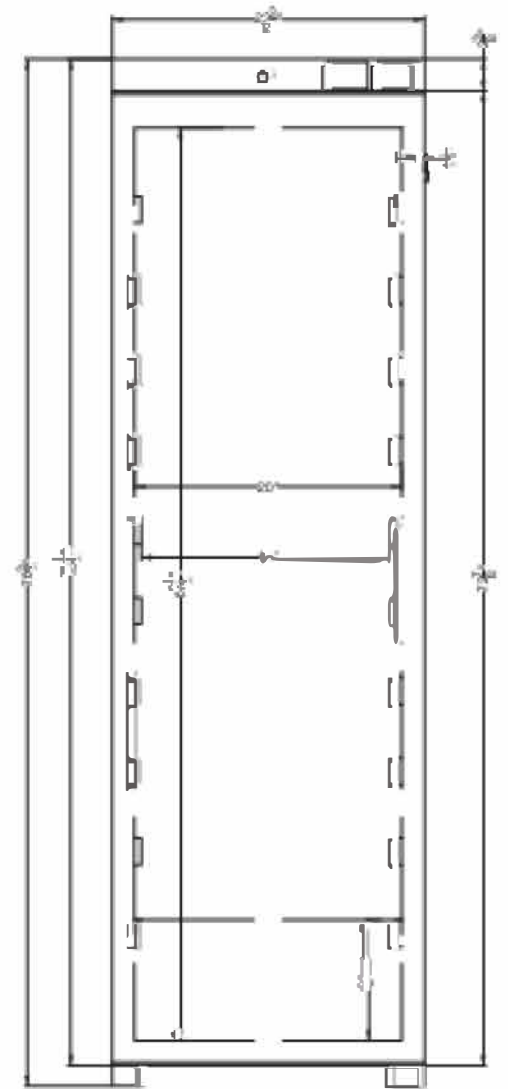
ACR1601WNSF456 Specifications:

Overview	
Nominal Height	77.0" (196 cm)
Height of Cabinet	76.75" (195 cm)
Nominal Width	24.0" (61 cm)
Width	23.38" (59 cm)
Width with Door Open	23.63" (60 cm)
Nominal Depth	29.0" (74 cm)
Depth	28.13" (71 cm)
Depth with door at 90°	28.38" (72 cm)
Capacity	15.53 cu.ft. (440 L)
Defrost Type	Automatic
Door	White
Cabinet	White
US Electrical Safety	ETL
Canadian Electrical Safety	ETL-C
Sanitation	ETL-S to NSF 456
Amps	2.0
Voltage/Frequency	115 V AC/60 Hz
Weight	143.0 lbs. (65 kg)
Parts & Labor Warranty	1 Year
Compressor Warranty	5 Years
UPC	761101083117
Refrigerator Features	
Door Swing	RHD
Reversible	Factory Reversible
Height Adjustable	No
Shelf Type	Wire
Shelf Qty	6
Adjustable Shelves	Yes
Thermostat Type	Digital
Fan Type	Interior
Refrigerant Type	R600a
Refrigerant Amount	2.0oz.
High Side PSI	1.45
Low Side PSI	0.85
Level Legs Qty	2
Interior Light	Yes
Temperature Range	2° to 8°C

Sound Level 35.3 dB

Dimensions	
Interior Height	68.25" (173 cm)
Interior Width	20.0" (51 cm)
Interior Depth	21.5" (55 cm)
Compressor Step Height	9.0" (23 cm)
Compressor Step Width	20.0" (51 cm)
Compressor Step Depth	8.0" (20 cm)





Front

ACR1601WNSF456LHD



76.75" x 23.38" x 28.13" (H x W x D)

Upright healthcare all-refrigerator certified to NSF/ANSI 456 with self-closing glass door, front lock, digital controls, and NIST calibrated temperature readout

Highlights:

Certified to NSF/ANSI 456 Vaccine Storage Standard

Specially designed to meet current CDC/VFC/VFA vaccine refrigeration guidelines for convenient storage in pharmacies, medical offices, and other healthcare facilities

Designed and constructed for reliable cold storage in healthcare facilities

Product Features:

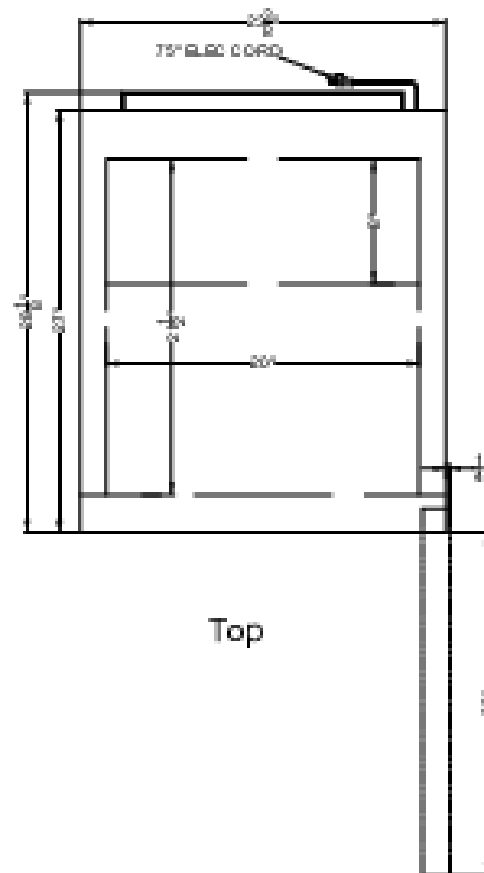
EQTemp Medical Refrigerator	All-refrigerator designed to operate between 2 and 8°C for a variety of storage application in medical offices and other healthcare facilities
Certificate of calibration included	The temperature monitoring device (TMD) is calibrated to NIST standards in our ISO/IEC 17025:2017 certified calibration laboratory and ships with a 2-year certificate of calibration for your records
Certified to NSF/ANSI 456 Vaccine Storage Standard	Tested to comply with the latest standards
Temperature Range: 2° to 8°C	Preset to 5°C as recommended for many storage applications
Large capacity	Full 15.53 cu.ft. capacity inside conveniently slim footprint
External temperature readout	Audible alarm sounds if the interior temperature rises or falls out of set range
High/low temperature alarm	Thermometer probe is encased in a glass bead-filled bottle and stored in a fixed box on the center shelf. This is the ideal way to produce temperature readings closest to stored contents, as recommended by the CDC, VFC and VFA's guidelines
Buffered temperature probe	Thermometer probe is encased in a glass bead-filled bottle and stored in a fixed box on the center shelf. This is the ideal way to produce temperature readings closest to stored contents, as recommended by the CDC, VFC and VFA's guidelines
Access port	3/8" probe hole with cover is pre-installed in unit's side to allow easy installation of user-provided monitoring equipment

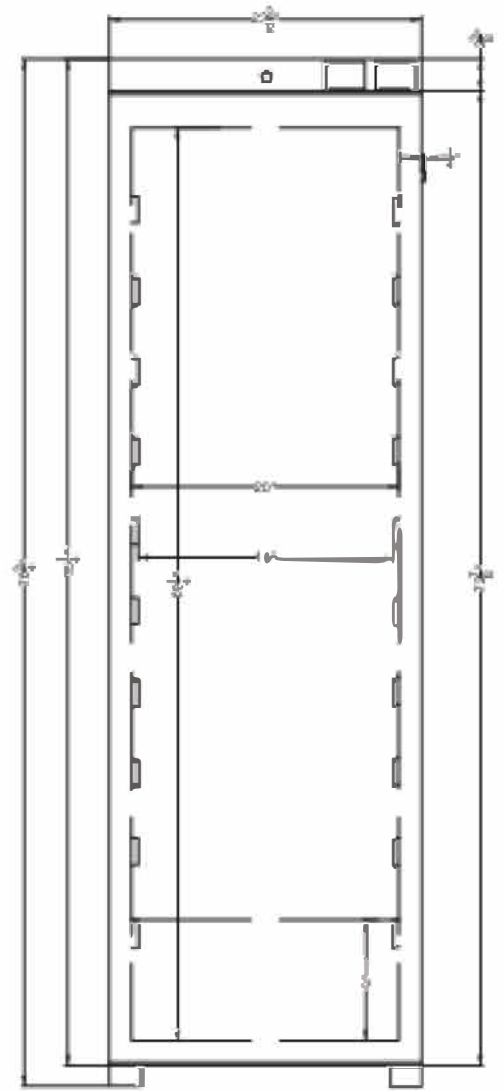
ACR1601WNSF456LHD Specifications:

Overview	
Nominal Height	77.0" (196 cm)
Height of Cabinet	76.75" (195 cm)
Nominal Width	24.0" (61 cm)
Width	23.38" (59 cm)
Width with Door Open	23.63" (60 cm)
Nominal Depth	29.0" (74 cm)
Depth	28.13" (71 cm)
Depth with door at 90°	28.38" (72 cm)
Capacity	15.53 cu.ft. (440 L)
Defrost Type	Automatic
Door	White
Cabinet	White
US Electrical Safety	ETL
Canadian Electrical Safety	ETL-C
Sanitation	ETL-S to NSF 456
Amps	2.0
Voltage/Frequency	115 V AC/60 Hz
Weight	143.0 lbs. (65 kg)
Parts & Labor Warranty	1 Year
Compressor Warranty	5 Years
UPC	761101107721
Refrigerator Features	
Door Swing	LHD
Reversible	Factory Reversible
Height Adjustable	No
Shelf Type	Wire
Shelf Qty	6
Adjustable Shelves	Yes
Thermostat Type	Digital
Fan Type	Interior
Refrigerant Type	R600a
Refrigerant Amount	2.0oz.
High Side PSI	1.45
Low Side PSI	0.85
Level Legs Qty	2
Interior Light	Yes
Temperature Range	2° to 8°C

Sound Level 35.3 dB

Dimensions	
Interior Height	68.25" (173 cm)
Interior Width	20.0" (51 cm)
Interior Depth	21.5" (55 cm)
Compressor Step Height	9.0" (23 cm)
Compressor Step Width	20.0" (51 cm)
Compressor Step Depth	8.0" (20 cm)





Front