



---

## Cutting-edge technology combined with an award-winning design

The new examination and treatment chair combines the highest standards of ergonomics, hygiene and flexibility with a simple and intelligent handling.

More and more operations are moving from operating theatres to surgeries and outpatient centers. The medi-matic® has been adapted to market requirements and can also be used for operations.

Our priority: the well-being of patients and a comfortable handling.

A special highlight: the extremely low entry height of only 18 ½" and the maximum height of up to 46 ¼".

SCHMITZ – Your partner for gynecology and urology.



## Key Features



1. Strong safe working load of 660 lbs and unique height adjustment range (18 ½" to 46 ¼")



2. Comfortable initial position setting new standards



3. Unique adjustment angle, extremely comfortable upright sitting position



4. Memory function – a wide range of customizable, storable examination positions. Time-saving thanks to simultaneously coordinated movements



5. Can be used as an outpatient surgical chair – e.g. transurethral resection (TUR)



6. Flexibility through mobility (option: castors Ø 3" or Ø 4")

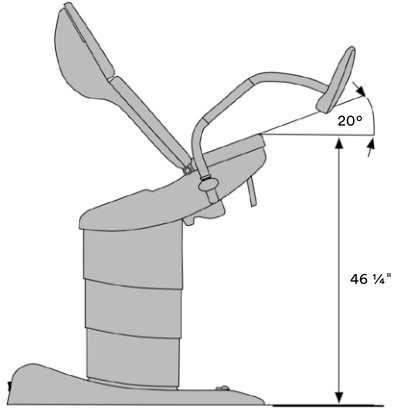


7. Hand control unit with illuminated TFT display showing all status information

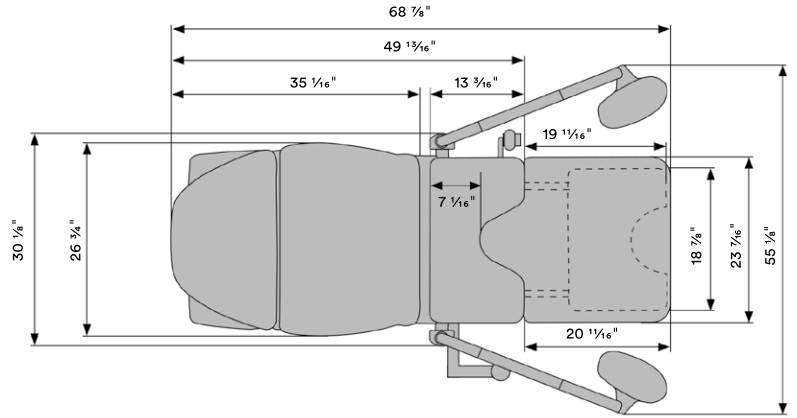


8. Rinsing basin stays always in horizontal position

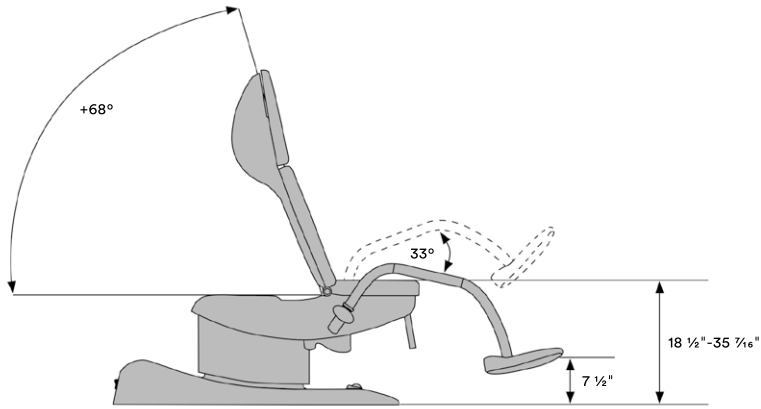
Highest position



Overview



Lowest position



Shock position

