

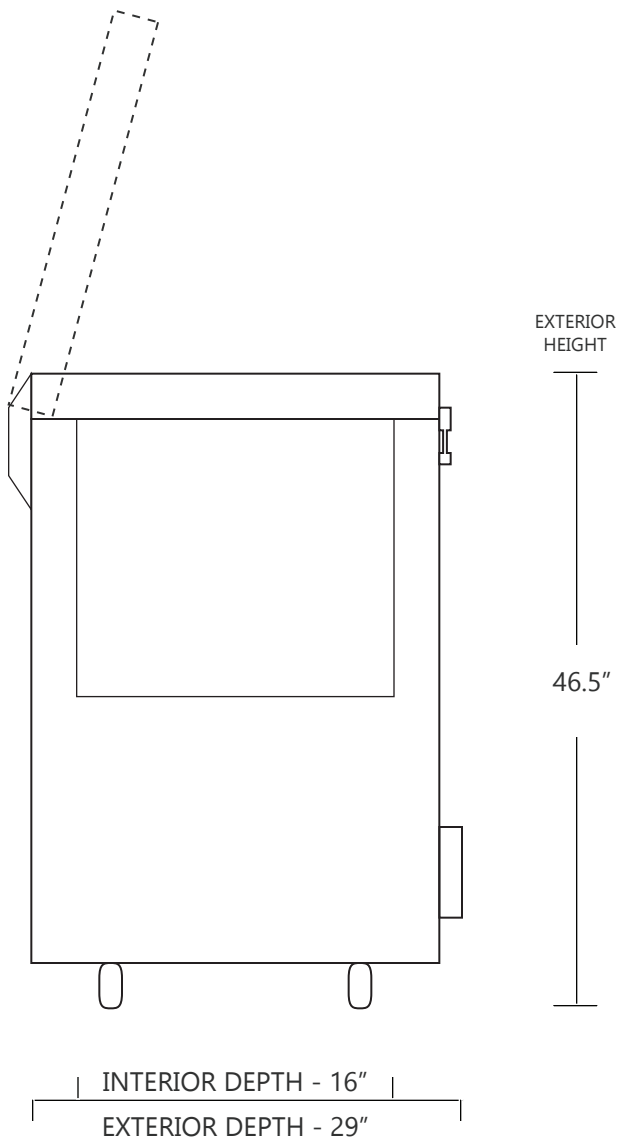
MODEL VSC40-9

9 CUBIC FOOT ULTRA LOW TEMPERATURE FREEZER

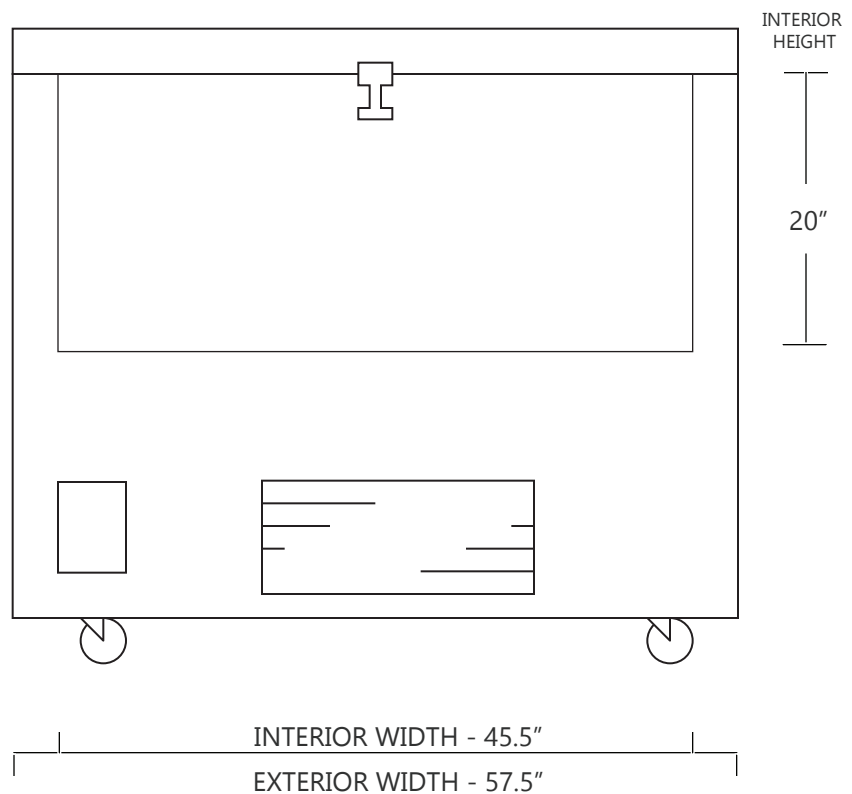
| | WIDTH | DEPTH | HEIGHT | | WIDTH | DEPTH | HEIGHT |
|---------------------|---------|-------|---------|--|--------|--------|--------|
| INTERIOR DIMENSIONS | 45.5 IN | 16 IN | 20 IN | | 115 CM | 40 CM | 50 CM |
| EXTERIOR DIMENSIONS | 57.5 IN | 29 IN | 46.5 IN | | 146 CM | 73 CM | 116 CM |
| CRATED DIMENSIONS | 62 IN | 40 IN | 55 IN | | 157 CM | 101 CM | 139 CM |

NOTE THAT THE FREEZER LID CAN OPEN UP TO APPROXIMATELY 75° FROM HORIZONTAL POSITION

SIDE VIEW



FRONT VIEW



SO-LOW



NET WEIGHT : 500 LBS.
SHIPPING WEIGHT: 675 LBS.

SHIPPING OPTIONS

DOCK-TO-DOCK DELIVERY (REQUIRES FORKLIFT OR PALLET JACK)
 DOCK-TO-DOCK DELIVERY WITH LIFTGATE (REQUIRES FORKLIFT OR PALLET JACK)
 INSIDE DELIVERY (WHITE GLOVE DELIVERY)