

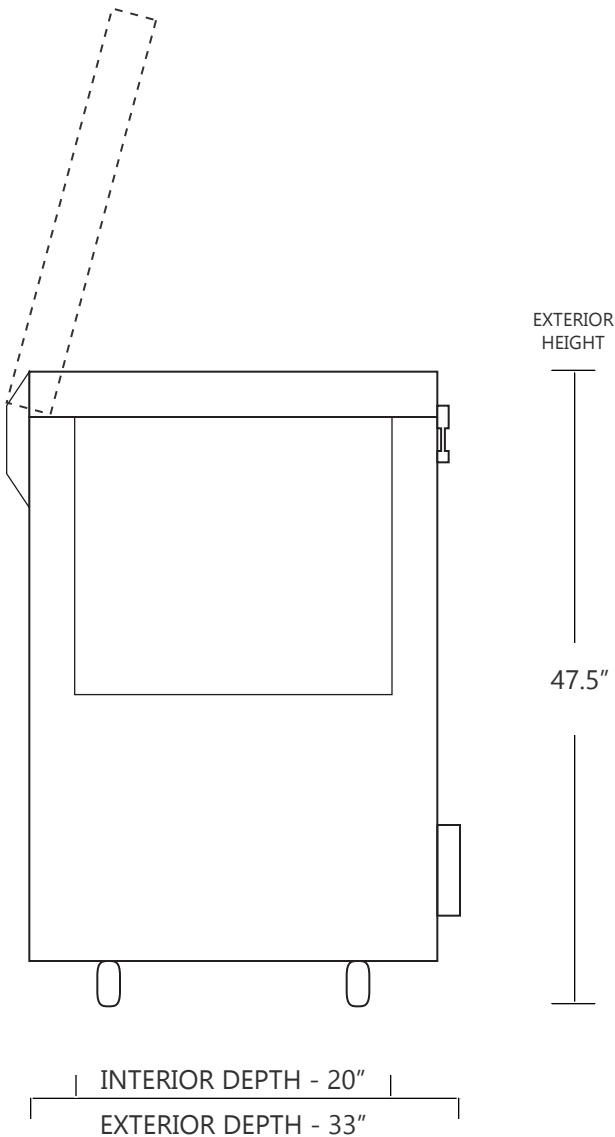
# MODEL NC40-14

## 14 CUBIC FOOT ULTRA LOW TEMPERATURE FREEZER

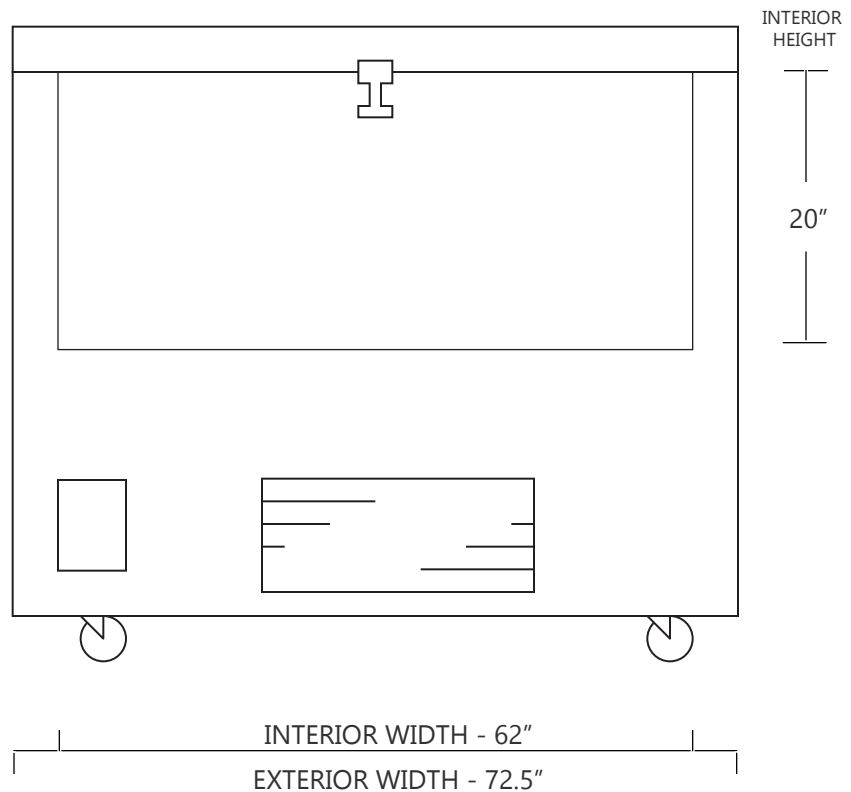
|                     | WIDTH   | DEPTH | HEIGHT  | WIDTH  | DEPTH  | HEIGHT |
|---------------------|---------|-------|---------|--------|--------|--------|
| INTERIOR DIMENSIONS | 62 IN   | 20 IN | 20 IN   | 157 CM | 50 CM  | 50 CM  |
| EXTERIOR DIMENSIONS | 72.5 IN | 33 IN | 47.5 IN | 184 CM | 83 CM  | 120 CM |
| CRATED DIMENSIONS   | 77 IN   | 42 IN | 55 IN   | 203 CM | 109 CM | 144 CM |

NOTE THAT THE FREEZER LID CAN OPEN UP TO APPROXIMATELY 75° FROM HORIZONTAL POSITION

### SIDE VIEW



### FRONT VIEW



# SO-LOW



**NET WEIGHT : 725 LBS.**  
**SHIPPING WEIGHT: 900 LBS.**

### SHIPPING OPTIONS

DOCK-TO-DOCK DELIVERY ( REQUIRES FORKLIFT OR PALLET JACK )  
DOCK-TO-DOCK DELIVERY WITH LIFTGATE ( REQUIRES FORKLIFT OR PALLET JACK )  
INSIDE DELIVERY ( WHITE GLOVE DELIVERY )