

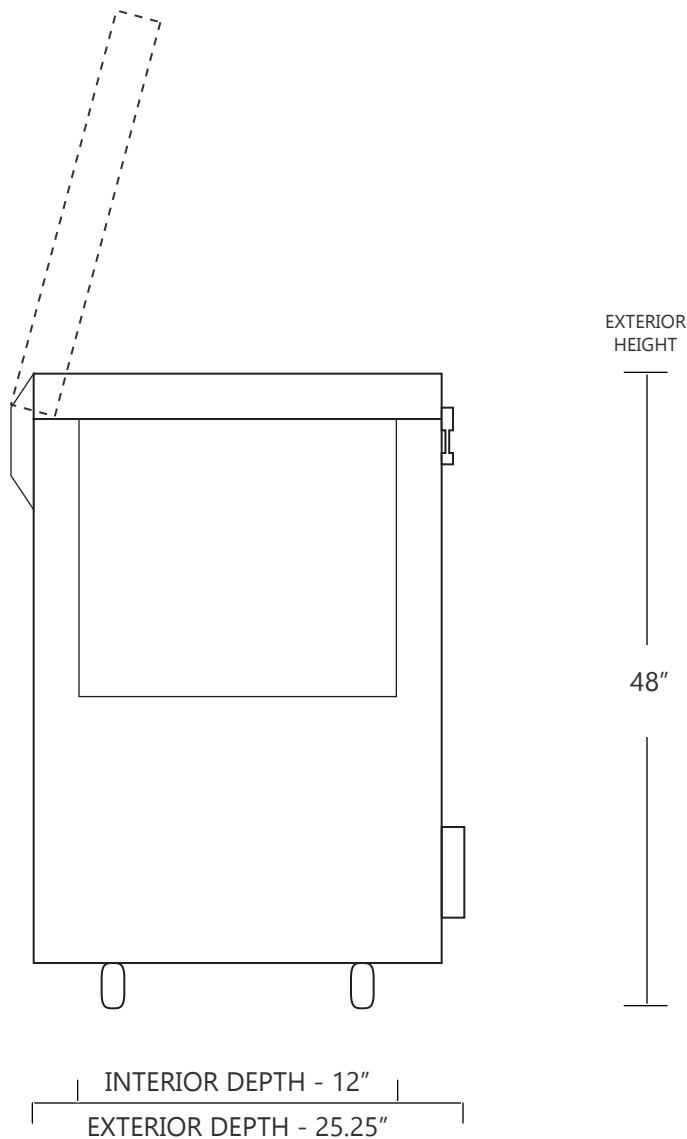
MODEL C40-3

3 CUBIC FOOT ULTRA LOW TEMPERATURE FREEZER

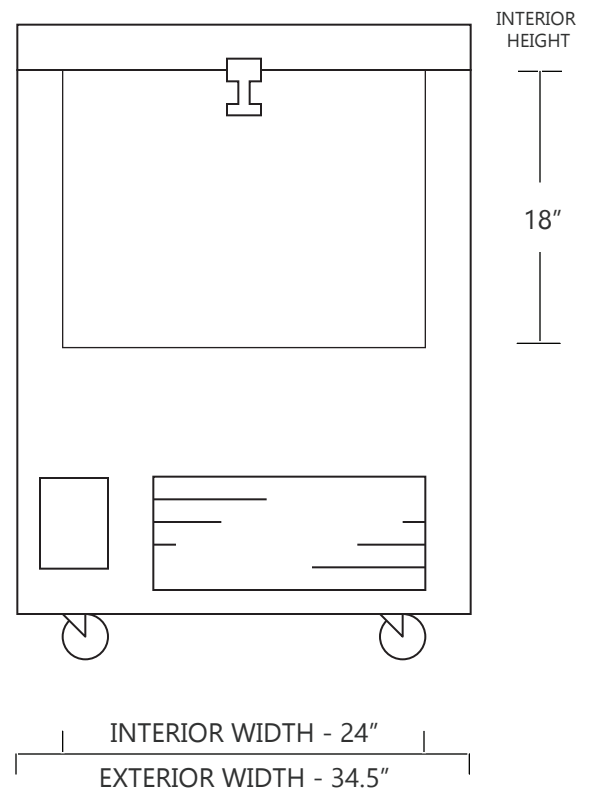
| | WIDTH | DEPTH | HEIGHT | WIDTH | DEPTH | HEIGHT |
|---------------------|---------|----------|--------|--------|--------|--------|
| INTERIOR DIMENSIONS | 24 IN | 12 IN | 18 IN | 60 CM | 30 CM | 45 CM |
| EXTERIOR DIMENSIONS | 34.5 IN | 25.25 IN | 48 IN | 87 CM | 64 CM | 121 CM |
| CRATED DIMENSIONS | 46 IN | 41 IN | 55 IN | 116 CM | 104 CM | 139 CM |

NOTE THAT THE FREEZER LID CAN OPEN UP TO APPROXIMATELY 75° FROM HORIZONTAL POSITION

SIDE VIEW



FRONT VIEW



SO-LOW



NET WEIGHT : 350 LBS.
SHIPPING WEIGHT: 500 LBS.

SHIPPING OPTIONS

DOCK-TO-DOCK DELIVERY (REQUIRES FORKLIFT OR PALLET JACK)
DOCK-TO-DOCK DELIVERY WITH LIFTGATE (REQUIRES FORKLIFT OR PALLET JACK)
INSIDE DELIVERY (WHITE GLOVE DELIVERY)