



Service Parts List

Click on the model being serviced

Explorer EXP EXR Series

[Document update](#)

EXP Series

[EXP Terminal](#)

EXP125D/AD	EXP124/AD	EXP223/AD
EXP125/AD	EXP224/AD	EXP423/AD
EXP225D/AD	EXP324/AD	EXP623/AD
EXP225/AD		EXP1203/AD

EXP24001
EXP35001
EXP65001

[EXP Draft Shield](#)

EXP2202	EXP6201
EXP4202	EXP8201
EXP6202	EXP10201
EXP8202	
EXP12202	

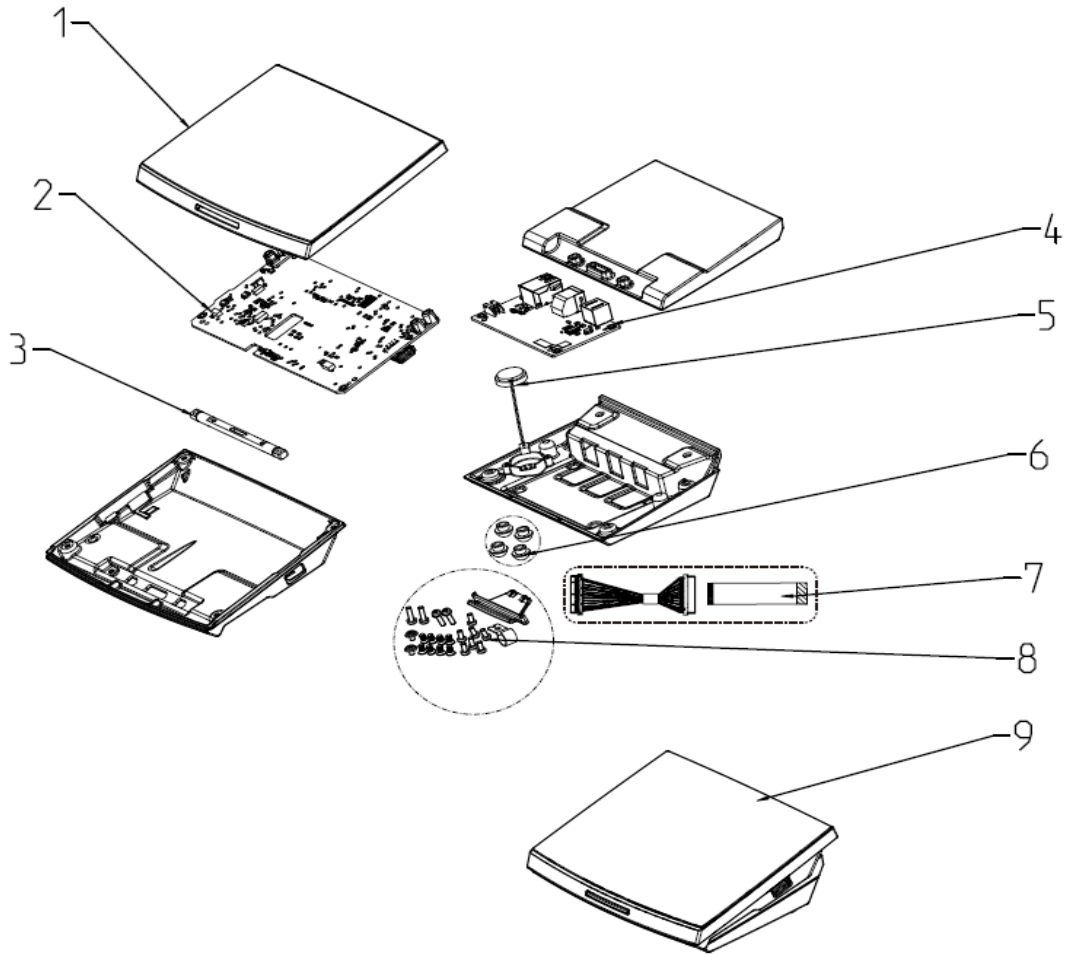
EXR Series

[EXR Draft Shield](#)

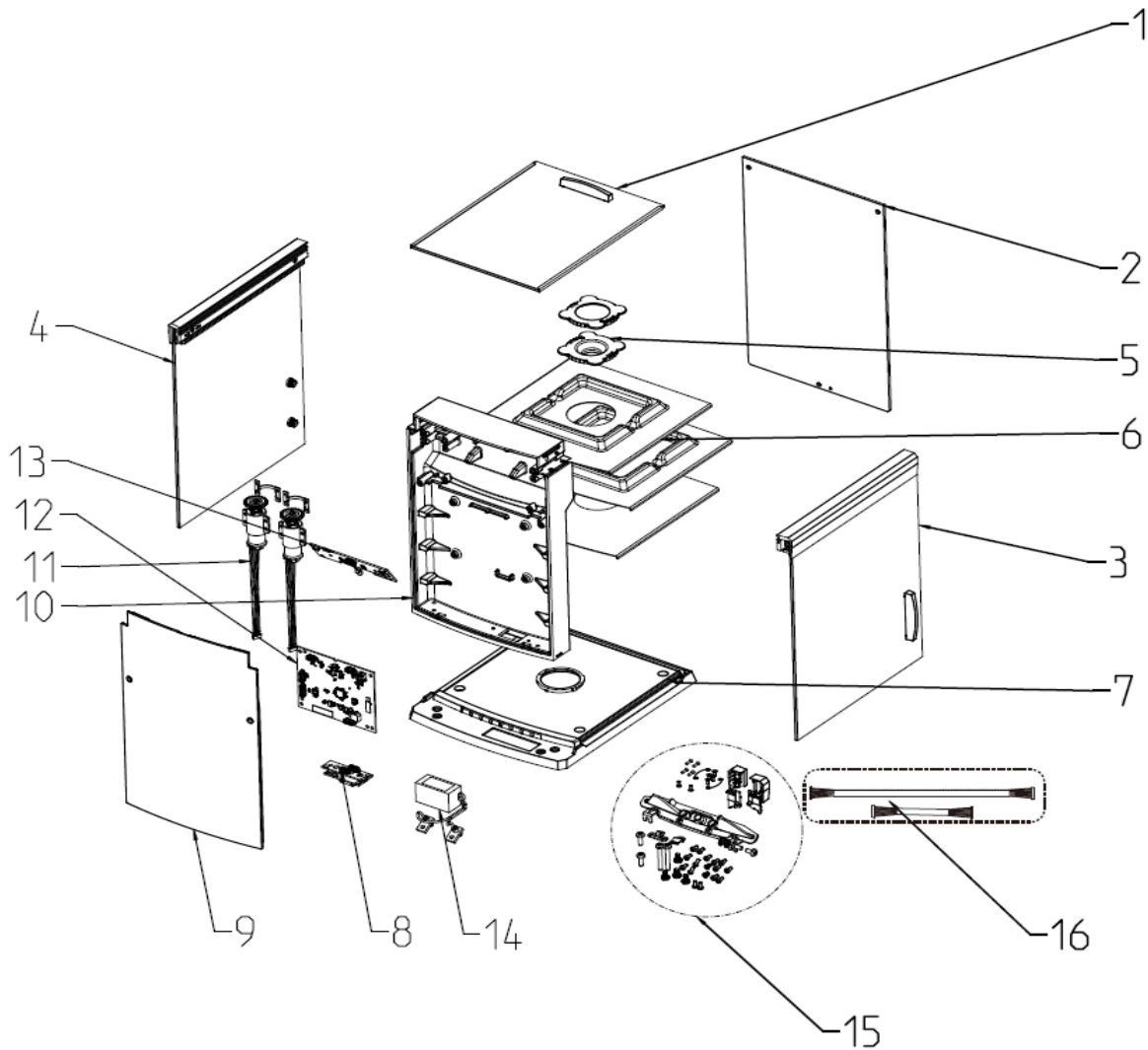
EXR125D	EXR124	EXR223
EXR125	EXR224	EXR423
EXR225D	EXR324	EXR623
EXR225		EXR1203

EXR2202	EXR6201
EXR4202	EXR8201
EXR6202	EXR10201
EXR8202	
EXR12202	

Date	Update
Oct, 20 2025	Initial release
Jan, 28 2026	Add the accessory In-Use Cover

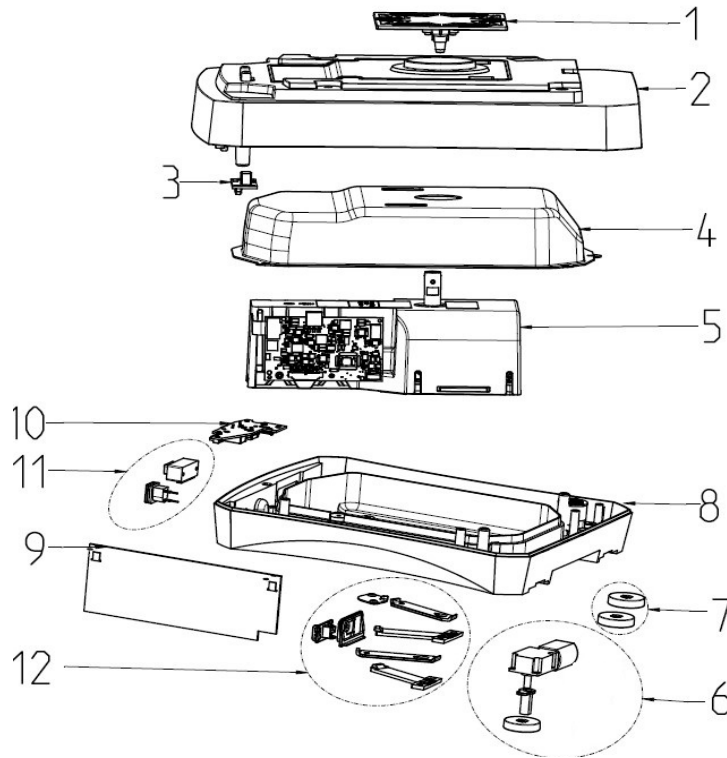


Drawing Item	Part Number	Description	Comments
1	31075153	Display LCD kit EXP	
2	31075155	PCB Main Terminal EXP	
3	31075163	Hinge Terminal EXP	
4	31075158	PCB Interface EXP	
5	31075162	Speaker EXP EXR	
6	31075164	Feet (4) Terminal EXP	
7	31075168	Cable kit Base Terminal EXP EXR	
8	31075171	Hardware kit Terminal EXP	Include power button, terminal cable lock...
9	31075152	Terminal complete EXP	
NS	31129894	In-Use Cover Terminal, EXP	Accessory



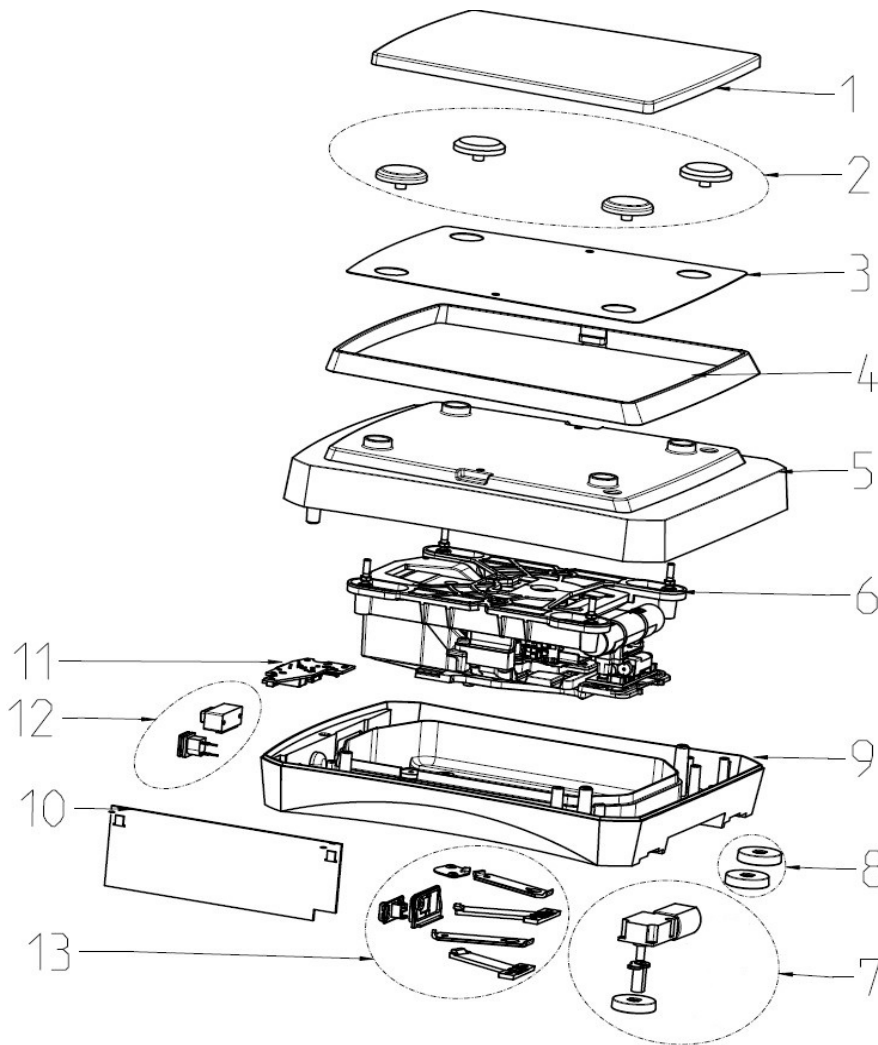
Drawing Item	Part Number	Description	Comments
1	31075116	Top door kit EXP EXR	
2	31075111	Front glass EXP EXR	
3	31075112	Side door kit left EXP	Include the rail and handle
4	31075114	Side door kit right EXP	Include the rail and handle
5	31074977	Cover lock 5 place EXP EXR	
	31075108	Cover lock 3-4 place EXP EXR	
6	31074295	Plate EMC 5 place EXP EXR	
	31074296	Plate EMC 4 place EXP EXR	
	31074297	Plate EMC 3 place EXP EXR	
7	31075125	Base plate DS EXP EXR	
8	31075120	PCB Pogo pin EXP	2 PCBs with cables
9	31075117	Cover Backwall EXP EXR	
10	31075118	Backwall EXP	
11	31075121	Motor kit DS EXP	
12	31075123	PCB Motor DS EXP	
13	31075124	PCB Light DS EXP	
14	31075122	Ionizer EXP	
15	31075170	Hardware kit DS EXP EXR	Include door handles, rail cover, light cover, front glass hook...
16	31075167	Cable kit DS EXP	

Part numbers are subject to change without notice.



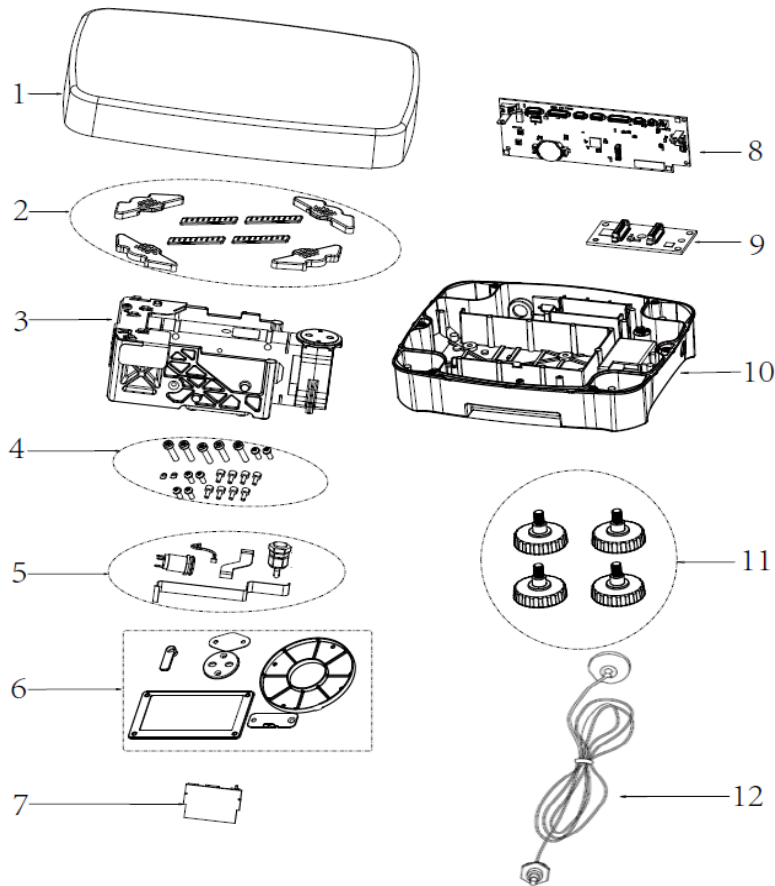
Drawing Item	Part Number	Description	Comments
1	31074292	Pan kit SQ130 EXP EXR	3 place models
	31074293	Pan kit SQ90 EXP EXR	4 place models
	31074294	Pan kit SQ80 EXP EXR	5 place models
2	31075129	Top housing kit DS EXP	
3	31075120	PCB Pogo pin EXP	2 PCBs with cables
4	31075146	Cover loadcell EXP EXR	Include O-ring and air-channel cover of 5 place models
5	31075133	Load Cell NMDWI0200G5-4U	EXP125D/AD, EXP125/AD
	31075134	Load Cell NMDWI0200G5-3U	EXP225D/AD
	31075135	Load Cell NMDWI0200G5-2U	EXP225/AD
	31075136	Load Cell NMDWI0400G4-7C	EXP124/AD
	31075137	Load Cell NMDWI0400G4-3C	EXP224/AD
	31075138	Load Cell NMDWI0400G4-2C	EXP324/AD
	31075139	Load Cell NMDWI0600G3-3C	EXP223/AD, EXP423/AD,EXP623/AD
	31075140	Load Cell NMDWI1200G3-3C	EXP1203/AD
6	31075161	Motor kit Feet EXP	Include motor, motor PCB, leveling nut, red foot, foot mat...
7	31075165	Feet (2) Base EXP	
8	31075131	Bottom housing with bubble kit EXP	
9	31075156	PCB Main Base EXP	
10	31075159	PCB Interface Base EXP EXR	
11	31075168	Cable kit Base Terminal EXP EXR	
12	31075172	Hardware kit Base EXP EXR	Include LFT key, cable hook, LC cover O-ring, terminal-base mounting sheet, power button...
NS	31075166	Plug set white AU/EU/GB/US/CN/KR	
NS	31075175	Power supply, 12V, 18W white	
NS	31075147	Package kit DS EXP	
NS	31036491	Carton DS EXP EXR	
NS	31129895	In-Use Cover DS, EXP	Accessory

Part numbers are subject to change without notice.



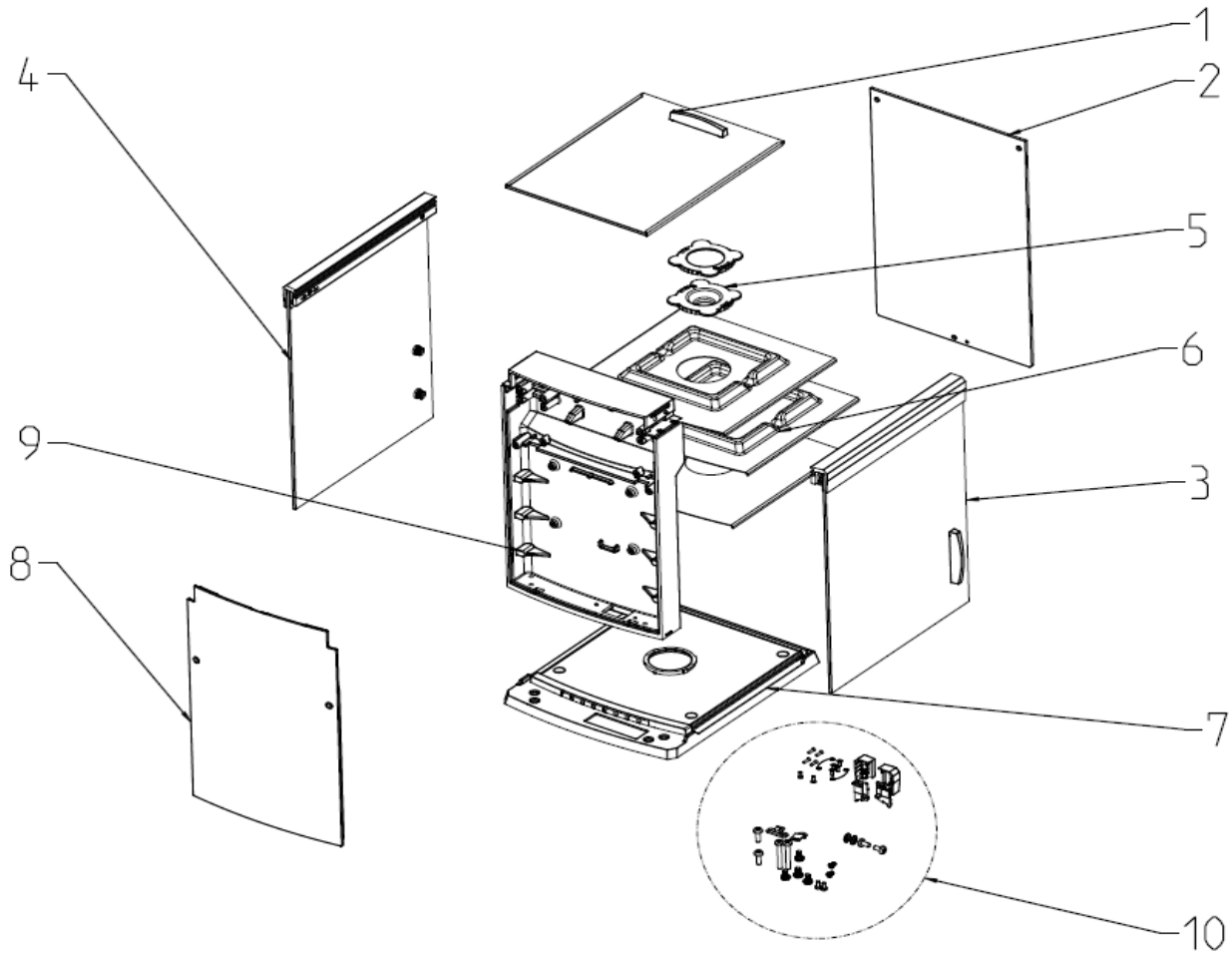
Drawing Item	Part Number	Description	Comments
1	31074291	Pan kit Square EXP EXR	
2	31075110	Cap pan support (4) EXP EXR	
3	31074298	Plate EMC 1-2 place EXP EXR	
4	31075109	Wind ring 1-2 place EXP EXR	
5	31075128	Top housing kit non-DS EXP	
6	31075141	Load Cell NMDWI4000G2-2S	EXP2202, EXP4202
	31075142	Load Cell NMDWI6000G2-5S	EXP6202, EXP6201
	31075143	Load Cell NMDWI0012K5-4S	EXP8202, EXP12202, EXP8201, EXP10201
7	31075161	Motor kit Feet EXP	
8	31075165	Feet (2) Base EXP	
9	31075131	Bottom housing with bubble kit EXP	
10	31075156	PCB Main Base EXP	
11	31075159	PCB Interface Base EXP EXR	
12	31075168	Cable kit Base Terminal EXP EXR	
13	31075172	Hardware kit Base EXP EXR	
NS	31075166	Plug set white AU/EU/GB/US/CN/KR	
NS	31075175	Power supply, 12V, 18W white	
NS	31075149	Package kit non DS EXP	
NS	31036490	Carton non-DS EXP EXR	
NS	31129891	In-Use Cover Non-DS, EXP	Accessory

Part numbers are subject to change without notice.



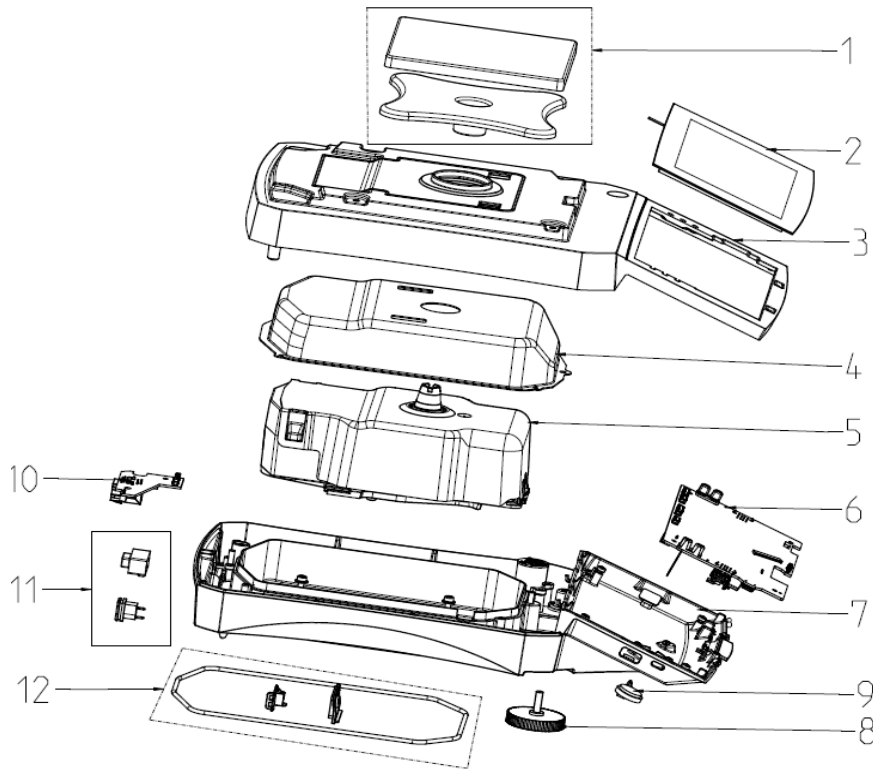
Drawing Item	Part Number	Description	Comments
1	30076186	SP Larger Pan EX HiCap	
2	30076187	SP Pan support Assembly EX HiCap	
3	31075144	Load Cell NMDWI0032K4-2C	EXP24001, EXP35001
	31075145	Load Cell NMDWI0064K4-2C	EXP65001
4	30076188	SP Screws kit, EX HiCap	
5	31075169	Cable kit EXP HiCap	
6	31075173	Hardware kit EXP HiCap	Include LFT screw, cable hook, terminal-base mounting sheet, covers of LFT, below weighing and battery ...
7	30076250	SP PCBA, LFT, EX HiCap	
8	31075156	PCB Main Base EXP	
9	31075160	PCB Interface Base EXP HiCap	
10	31075132	Bottom housing with bubble kit EXP HiCap	
11	30095931	SP Feet Kit (4), Large R71	
12	30041267	SP Power-Cord US EX HiCap	
	30041462	SP Power-Cord EU EX HiCap	
	30041463	SP Power-Cord CN EX HiCap	
	30041464	SP Power-Cord UK EX HiCap	
	30041465	SP Power-Cord AU EX HiCap	
	30041466	SP Power-Cord JP EX HiCap	
	30041469	SP Power-Cord KR EX HiCap	
	30410234	SP Power-Cord BR EX HiCap	
NS	30041419	SP Power adapter EX HiCap	
NS	31075151	Package kit EXP HiCap	
NS	30041271	Shipping Box EX HiCap	

Part numbers are subject to change without notice.



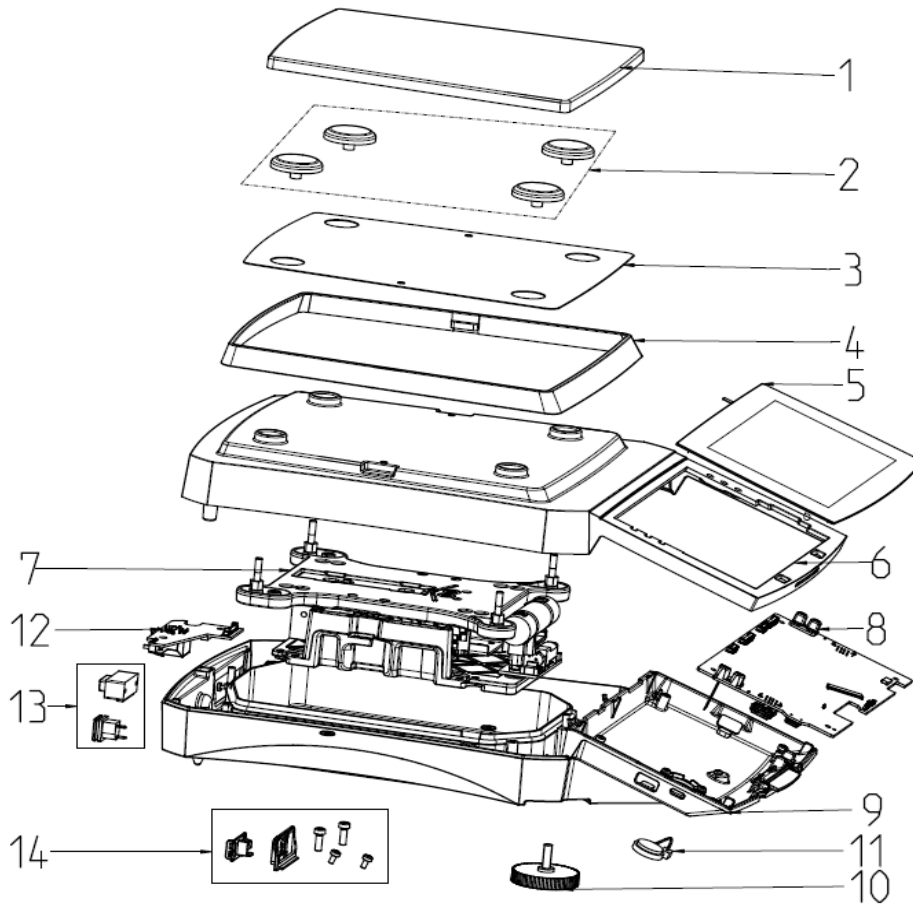
Drawing Item	Part Number	Description	Comments
1	31075116	Top door kit EXP EXR	
2	31075111	Front glass EXP EXR	
3	31075113	Side door kit left EXR	Include the rail and handle
4	31075115	Side door kit right EXR	Include the rail and handle
5	31074977	Cover lock 5 place EXP EXR	
	31075108	Cover lock 3-4 place EXP EXR	
6	31074295	Plate EMC 5 place EXP EXR	
	31074296	Plate EMC 4 place EXP EXR	
	31074297	Plate EMC 3 place EXP EXR	
7	31075125	Base plate DS EXP EXR	
8	31075117	Cover Backwall EXP EXR	
9	31075119	Backwall EXR	
10	31075170	Hardware kit DS EXP EXR	Include door handles, rail cover, front glass hook...

Part numbers are subject to change without notice.



Drawing Item	Part Number	Description	Comments
1	31074292	Pan kit SQ130 EXP EXR	3 place models
	31074293	Pan kit SQ90 EXP EXR	4 place models
	31074294	Pan kit SQ80 EXP EXR	5 place models
2	31075154	Display LCD EXR	
3	31075127	Top housing kit DS EXR	
4	31075146	Cover loadcell EXP EXR	Include O-ring and air-channel cover of 5 place models
5	31075133	Load Cell NMDWI0200G5-4U	EXR125D, EXR125
	31075134	Load Cell NMDWI0200G5-3U	EXR225D
	31075135	Load Cell NMDWI0200G5-2U	EXR225
	31075136	Load Cell NMDWI0400G4-7C	EXR124
	31075137	Load Cell NMDWI0400G4-3C	EXR224
	31075138	Load Cell NMDWI0400G4-2C	EXR324
	31075139	Load Cell NMDWI0600G3-3C	EXR223, EXR423, EXR623
	31075140	Load Cell NMDWI1200G3-3C	EXR1203
6	31075157	PCB Main EXR	
7	31075130	Bottom housing with bubble kit EXR	
8	30111785	Feet 4pcs, AX	
9	31075162	Speaker EXP EXR	
10	31075159	PCB Interface Base EXP EXR	
11	31075168	Cable kit Base Terminal EXP EXR	
12	31075172	Hardware kit Base EXP EXR	Include LFT key, cable hook, LC cover O-ring, terminal-base mounting sheet, power button...
NS	31075166	Plug set white AU/EU/GB/US/CN/KR	
NS	31075175	Power supply, 12V, 18W white	
NS	31075148	Package kit DS EXR	
NS	31036491	Carton DS EXP EXR	
NS	31129892	In-Use Cover DS, EXR	Accessory

Part numbers are subject to change without notice.



Drawing Item	Part Number	Description	Comments
1	31074291	Pan kit Square EXP EXR	
2	31075110	Cap pan support (4) EXP EXR	
3	31074298	Plate EMC 1-2 place EXP EXR	
4	31075109	Wind ring 1-2 place EXP EXR	
5	31075154	Display LCD EXR	
6	31075126	Top housing kit non-DS EXR	
7	31075141	Load Cell NMDWI4000G2-2S	EXR2202, EXR4202
	31075142	Load Cell NMDWI6000G2-5S	EXR6202, EXR6201
	31075143	Load Cell NMDWI0012K5-4S	EXR8202, EXR12202, EXR8201, EXR10201
8	31075157	PCB Main EXR	
9	31075130	Bottom housing with bubble kit EXR	
10	30111785	Feet 4pcs, AX	
11	31075162	Speaker EXP EXR	
12	31075159	PCB Interface Base EXP EXR	
13	31075168	Cable kit Base Terminal EXP EXR	
14	31075172	Hardware kit Base EXP EXR	Include LFT key, cable hook, LC cover O-ring, terminal-base mounting sheet, power button...
NS	31075166	Plug set white AU/EU/GB/US/CN/KR	
NS	31075175	Power supply,12V,18W white	
NS	31075150	Package kit non DS EXR	
NS	31036490	Carton non-DS EXP EXR	
NS	31129893	In-Use Cover Non-DS, EXR	Accessory

Part numbers are subject to change without notice.