



Built for Precision, Powered by Innovation

The new Explorer (EXR series) offers an intuitive interface, outstanding weighing performance, and an environmentally friendly design. The new generation Explorer establishes a groundbreaking standard for laboratory operations.

Unique Features:

- **High Performance Weighing**

Achieve consistent results with built-in automatic calibration, touchless sensors and a ventilated weighing pan. Get reliable data with the digital high-speed load cell.

- **Refined User Experience**

An intuitive 7-inch glass touchscreen, digital leveling, and simplified data management is easy to use. With an effortless installation and chemical-protective design it ensures efficiency and comfort.

- **Effective Communication Options**

Supports HID connection to PC or keyboard without drivers, and provides 2-way communication with RS232, USB, Ethernet, Bluetooth, and WiFi for seamless data transfer.

EXPLORER™ Analytical Balances

Specifications



| Model | EXR124 | EXR224 | EXR324 |
|---|---|-----------------------|------------------------|
| | EXR124N* | EXR224N* | EXR324N* |
| Capacity | 120 g | 220 g | 320 g |
| Readability d | 0.1 mg | 0.1 mg | 0.1 mg |
| Repeatability (sd.), ≤5% of Full Load Typical | 0.05 mg | 0.05 mg | 0.05 mg |
| Repeatability (sd.), 5% of Full Load to Full Range | 0.1 mg | 0.1 mg | 0.1 mg |
| Readability d (g) (EXR...N...model) | 0.1 mg or 1 mg | | |
| Linearity Deviation Typical | 0.06 mg | 0.06 mg | 0.06 mg |
| Linearity Deviation | 0.2 mg | 0.2 mg | 0.2 mg |
| Verification Interval, e (EXP...N.. models only) | 1 mg | 1 mg | 1 mg |
| Approval Class (EXP...N.. models only) | Class I | Class I | Class I |
| Span Calibration Points | 25g, 50g, 75g, 100g | 50g, 100g, 150g, 200g | 100g, 150g, 200g, 300g |
| Weighing Units | g, mg, ct, N, oz, ozt, Grain, dwt, mo, msg, tl H, tl S, tl T, tcl, tola, baht, Custom 1, Custom 2 | | |
| Weighing Units (EXR...N.. model only) | g, mg, ct, oz, ozt, Grain, dwt | | |
| Applications | Basic Weighing, Parts Counting, Check Counting, Percent Weighing, Check Weighing, Dynamic Weighing, Totalization, Formulation, Differential, Density Determination, Peak Hold | | |
| Stabilization Time (typical) | 2 seconds | | |
| Sensitivity Temperature Drift (ppm/°C) | 1.5 | | |
| Min-Weight (typical) (K=2, U=1%) | 10 mg | | |
| Min-Weight (typical) (USP, K=2, U=0.10%) | 100 mg | | |
| Min-Weight (optimal) (USP, K=2, U=0.10%, SRP≤0.41d) | 82 mg | | |
| Terminal Display | 7-inch TFT 16.7M Color Touch Screen with Glass Overlay | | |
| Display Resolution | 800 x 480 Pixels | | |
| Communication | USB Host (Type A) x 2, USB Device (Type C) x 1 Ethernet (RJ45) x 1, RS232 x 1; Optional Wi-Fi, Bluetooth Dongle | | |
| Leveling System | 2 Leveling Feet with Digital Leveling Bubble | | |
| Power Supply | AC Adapter Input: 100-240 VAC 0.5A 50-60 Hz AC Adapter Output: 12 VDC 1.5A | | |
| Weighing Pan Size | Square Pan 90mm x 90mm | | |
| Touchless Sensor | 2 Touchless Sensors on the terminal | | |
| Draftshield with anti-static coating | Standard | | |
| Terminal Status Lights | Standard, 7-color Selectable | | |
| Assembled Dimensions (W x D x H) | 230mm x 393mm x 370mm | | |
| Shipping Dimensions (W x D x H) | 415mm x 630mm x 561mm | | |
| Net Weight | 7.4 kg | | |
| Shipping Weight | 10.2 kg | | |

*NTEP Legal for Trade models coming soon!

EXPLORER™ Precision Balances

Specifications



| Model | EXR223 | EXR423 | EXR623 | EXR1203 |
|---|---|------------------------|------------------------|-------------------------|
| | EXR223N* | EXR423N* | EXR623N* | EXR1203N* |
| Capacity | 220 g | 420 g | 620 g | 1200 g |
| Readability d | 1mg | 1mg | 1mg | 1mg |
| Repeatability (sd.), ≤5% of Full Load Typical | 0.7 mg | 0.7 mg | 0.7 mg | 0.7 mg |
| Repeatability (sd.), 5% of Full Load to Full Range | 1 mg | 1 mg | 1 mg | 1 mg |
| Readability d (g) (EXR...N...model) | 1 mg or 10 mg | | | |
| Linearity Deviation Typical | 0.6 mg | 0.6 mg | 0.6 mg | 0.6 mg |
| Linearity Deviation | 2 mg | 2 mg | 2 mg | 2 mg |
| Verification Interval, e (EXP...N.. models only) | 10mg | 10mg | 10mg | 10mg |
| Approval Class (EXP...N.. models only) | Class II | Class II | Class II | Class I |
| Span Calibration Points | 50g, 100g, 150g, 200g | 100g, 200g, 300g, 400g | 300g, 400g, 500g, 600g | 400g, 600g, 800g, 1000g |
| Weighing Units | g, mg, ct, N, oz, ozt, Grain, dwt, mo, msg, tl H, tl S, tl T, tcl, tola, baht, Custom 1, Custom 2, lb (models with capacity ≥ 620 g), kg (models with capacity ≥ 1200 g) | | | |
| Weighing Units (EXR...N.. model only) | g, mg, ct, oz, ozt, Grain, dwt, lb (models with capacity ≥ 620 g), kg (models with capacity ≥ 1200 g) | | | |
| Applications | Basic Weighing, Parts Counting, Check Counting, Percent Weighing, Check Weighing, Dynamic Weighing, Totalization, Formulation, Differential, Density Determination, Peak Hold | | | |
| Stabilization Time (typical) | ≤ 1.5 seconds | | | |
| Sensitivity Temperature Drift (ppm/°C) | 3 | | | |
| Min-Weight (typical) (K=2, U=1%) | 0.14 g | | | |
| Min-Weight (typical) (USP, K=2, U=0.10%) | 1.4 g | | | |
| Min-Weight (optimal) (USP, K=2, U=0.10%, SRP≤0.41d) | 0.82 g | | | |
| Terminal Display | 7-inch TFT 16.7M Color Touch Screen with Glass Overlay | | | |
| Display Resolution | 800 x 480 Pixels | | | |
| Communication | USB Host (Type A) x 2, USB Device (Type C) x 1 Ethernet (RJ45) x 1, RS232 x 1; Optional Wi-Fi, Bluetooth Dongle | | | |
| Leveling System | 2 Leveling Feet with Digital Leveling Bubble | | | |
| Power Supply | AC Adapter Input: 100-240 VAC 0.5A 50-60 Hz AC Adapter Output: 12 VDC 1.5A | | | |
| Weighing Pan Size | Square Pan 130mm x 130mm | | | |
| Touchless Sensor | 2 Touchless Sensors on the terminal | | | |
| Draftshield with anti-static coating | Standard | | | |
| Terminal Status Lights | Standard, 7-color Selectable | | | |
| Assembled Dimensions (W x D x H) | 230mm x 393mm x 370mm | | | |
| Shipping Dimensions (W x D x H) | 415mm x 630mm x 561mm | | | |
| Net Weight | 7.4 kg | | | |
| Shipping Weight | 10.2 kg | | | |

*NTEP Legal for Trade models coming soon!

EXPLORER™ Precision Balances

Specifications



| Model | EXR2202 | EXR4202 | EXR6202 | EXR8202 | EXR12202 |
|---|---|----------------------------|----------------------------|----------------------------|------------------------------|
| | EXR2202N* | EXR4202N* | EXR6202N* | EXR8202N* | EXR12202N* |
| Capacity | 2200 g | 4200 g | 6200 g | 8200 g | 12200 g |
| Readability d | 0.01 g | 0.01 g | 0.01 g | 0.01 g | 0.01 g |
| Repeatability (sd.), ≤5% of Full Load Typical | 0.007 g | 0.007 g | 0.007 g | 0.007 g | 0.007 g |
| Repeatability (sd.), 5% of Full Load to Full Range | 0.01 g | 0.01 g | 0.01 g | 0.01 g | 0.01 g |
| Readability d (g) (EXR...N...model) | 0.01 g or 0.1 g | | | | |
| Linearity Deviation Typical | 0.006 g | 0.006 g | 0.006 g | 0.006 g | 0.006 g |
| Linearity Deviation | 0.02 g | 0.02 g | 0.02 g | 0.02 g | 0.02 g |
| Verification Interval, e (EXP...N.. models only) | 0.1 g | 0.1 g | 0.1 g | 0.1 g | 0.1 g |
| Approval Class (EXP...N.. models only) | Class II | Class II | Class II | Class II | Class I |
| Span Calibration Points | 500g,1000g,1500g, 2000g | 1000g, 2000g, 3000g, 4000g | 2000g, 3000g, 4000g, 6000g | 2000g, 4000g, 6000g, 8000g | 6000g, 8000g, 10000g, 12000g |
| Weighing Units | g, ct, N, oz, ozt, Grain, dwt, mo, msg, tl H, tl S, tl T, tcl, tola, baht, lb, kg Custom 1, Custom 2 | | | | |
| Weighing Units (EXR...N.. model only) | g, ct, oz, ozt, Grain, dwt, lb, kg | | | | |
| Applications | Basic Weighing, Parts Counting, Check Counting, Percent Weighing, Check Weighing, Dynamic Weighing, Totalization, Formulation, Differential, Density Determination, Peak Hold | | | | |
| Stabilization Time (typical) | ≤ 1 second | | | | |
| Sensitivity Temperature Drift (ppm/°C) | 3 | | | | |
| Min-Weight (typical) (K=2, U=1%) | 1.4 g | | | | |
| Min-Weight (typical) (USP, K=2, U=0.10%) | 14 g | | | | |
| Min-Weight (optimal) (USP, K=2, U=0.10%, SRP≤0.41d) | 8.2 g | | | | |
| Terminal Display | 7-inch TFT 16.7M Color Touch Screen with Glass Overlay | | | | |
| Display Resolution | 800 x 480 Pixels | | | | |
| Communication | USB Host (Type A) x 2, USB Device (Type C) x 1 Ethernet (RJ45) x 1, RS232 x 1; Optional Wi-Fi, Bluetooth Dongle | | | | |
| Leveling System | 2 Leveling Feet with Digital Leveling Bubble | | | | |
| Power Supply | AC Adapter Input: 100-240 VAC 0.5A 50-60 Hz AC Adapter Output: 12 VDC 1.5A | | | | |
| Weighing Pan Size | Trapezoid Pan 178mm x 201mm | | | | |
| Touchless Sensor | 2 Touchless Sensors on the terminal | | | | |
| Terminal Status Lights | Standard, 7-color Selectable | | | | |
| Assembled Dimensions (W x D x H) | 229mm x 391mm x 95mm | | | | |
| Shipping Dimensions (W x D x H) | 385mm x 590mm x 311mm | | | | |
| Net Weight | 4.9 kg | | | | |
| Shipping Weight | 7.1 kg | | | | |

*NTEP Legal for Trade models coming soon!

EXPLORER™ Precision Balances

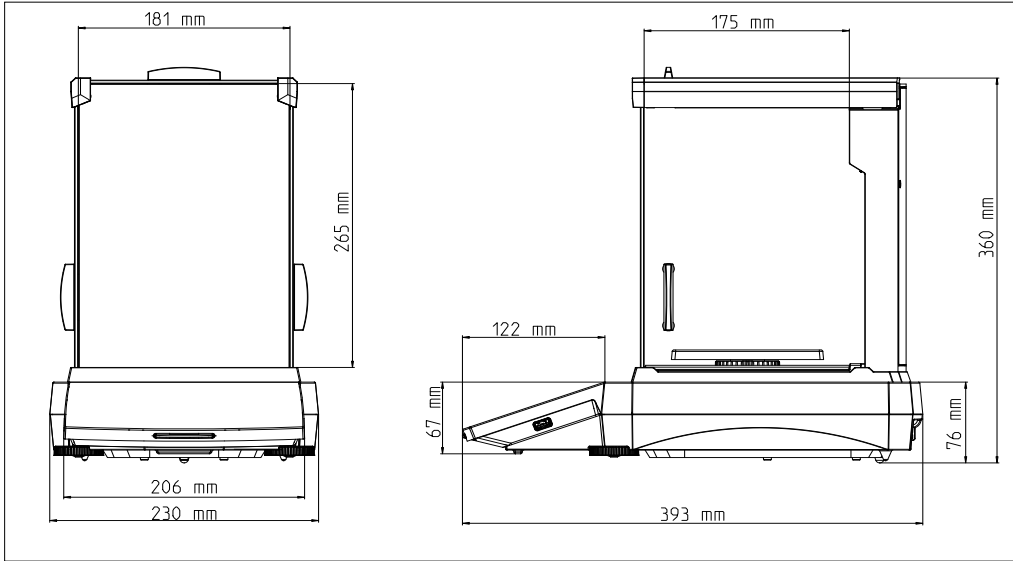
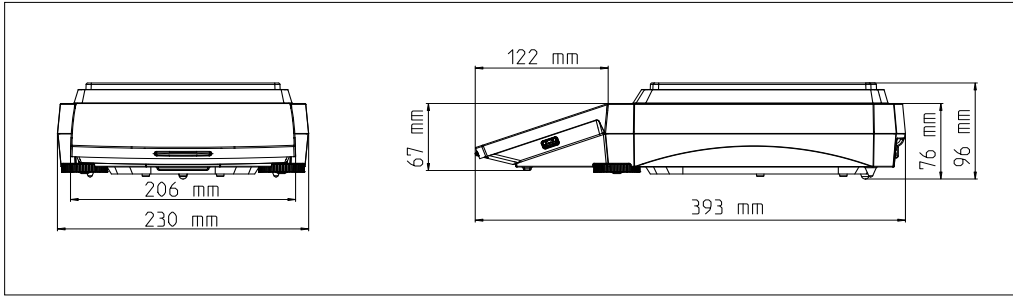
Specifications



| Model | EXR6201 | EXR8201 | EXR10201 |
|---|---|----------------------------|-----------------------------|
| Capacity | 6200 g | 8200 g | 10200 g |
| Readability d | 0.1 g | 0.1 g | 0.1 g |
| Repeatability (sd.), ≤5% of Full Load Typical | 0.07 g | 0.07 g | 0.07 g |
| Repeatability (sd.), 5% of Full Load to Full Range | 0.1 g | 0.1 g | 0.1 g |
| Linearity Deviation Typical | 0.06 g | 0.06 g | 0.06 g |
| Linearity Deviation | 0.2 g | 0.2 g | 0.2 g |
| Span Calibration Points (g) | 2000g, 3000g, 4000g, 6000g | 2000g, 4000g, 6000g, 8000g | 2500g, 5000g, 7500g, 10000g |
| Weighing Units | g, ct, N, oz, ozt, Grain, dwt, mo, msg, tl H, tl S, tl T, tcl, tola, baht, lb, kg, Custom 1, Custom 2 | | |
| Applications | Basic Weighing, Parts Counting, Check Counting, Percent Weighing, Check Weighing, Dynamic Weighing, Totalization, Formulation, Differential, Density Determination, Peak Hold | | |
| Stabilization Time (typical) | ≤ 1 second | | |
| Sensitivity Temperature Drift (ppm/°C) | 5 | 3 | 3 |
| Min-Weight (typical) (K=2, U=1%) | 14 mg | | |
| Min-Weight (typical) (USP, K=2, U=0.10%) | 140 g | | |
| Min-Weight (optimal) (USP, K=2, U=0.10%, SRP≤0.41d) | 82 g | | |
| Terminal Display | 7-inch TFT 16.7M Color Touch Screen with Glass Overlay | | |
| Display Resolution | 800 x 480 Pixels | | |
| Communication | USB Host (Type A) x 2, USB Device (Type C) x 1 Ethernet (RJ45) x 1, RS232 x 1; Optional Wi-Fi, Bluetooth Dongle | | |
| Leveling System | 2 Leveling Feet with Digital Leveling Bubble | | |
| Power Supply | AC Adapter Input: 100-240 VAC 0.5A 50-60 Hz AC Adapter Output: 12 VDC 1.5A | | |
| Weighing Pan Size | Trapezoid Pan 178mm x 201mm | | |
| Touchless Sensor | 2 Touchless Sensors on the terminal | | |
| Terminal Status Lights | Standard, 7-color Selectable | | |
| Assembled Dimensions (W x D x H) | 230mm x 393mm x 96mm | | |
| Shipping Dimensions (W x D x H) | 385mm x 590mm x 311mm | | |
| Net Weight | 4.9 kg | | |
| Shipping Weight | 7.1 kg | | |

EXPLORER™ Analytical and Precision Balances

Outline Dimensions



Approvals

- **Metrology:** NIST Handbook 44, Measurement Canada Weights and Measures Regulations
- **Product Safety:** IEC/EN 61010-1; CAN/CSA C22.2 61010-1; UL 61010-1
- **Electromagnetic Compatibility:** IEC/EN 61326-1 Class B, Basic Environments; FCC Part 15 Class A; Canada ICES-003 Class A

EXPLORER™ Analytical and Precision Balances

Accessories

| | | |
|--|----------------|-------------------------------------|
|  | Item No. | 30944360 |
| | Accessory Name | Bluetooth Printer, Impact, SF40A/BT |
|  | Item No. | 30064203 |
| | Accessory Name | Printer, Impact, SF40A |
|  | Item No. | 31059239 |
| | Accessory Name | BT dongle and Wi-Fi dongle LM842 |
|  | Item No. | 30130302 |
| | Accessory Name | Static Ionizer, ION-100A |
|  | Item No. | 31059237 |
| | Accessory Name | Weighing Kit |
|  | Item No. | 80253384 |
| | Accessory Name | Density Kit, Solids |
|  | Item No. | 83034024 |
| | Accessory Name | Sinker, Glass, Liquid, Density Kit |
|  | ItemNo. | 12120799 |
| | Accessory Name | SF40A Paper roll (57,5mm 2pcs) |
|  | Item No. | 30529322 |
| | Accessory Name | SF40A Ink Ribbon Cassette |