

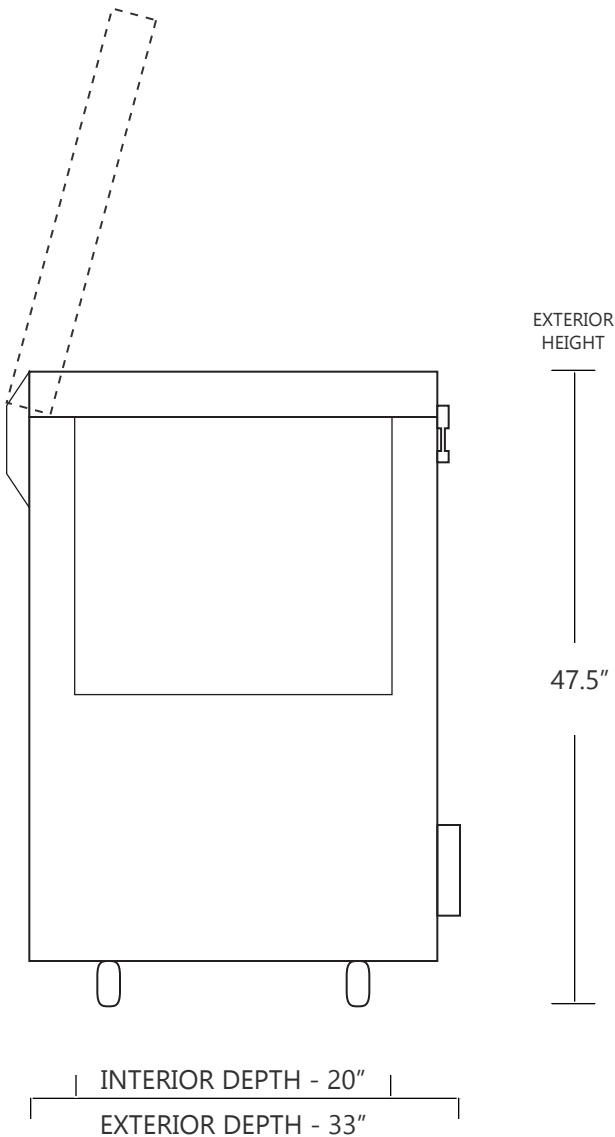
MODEL NC85-14

14 CUBIC FOOT ULTRA LOW TEMPERATURE FREEZER

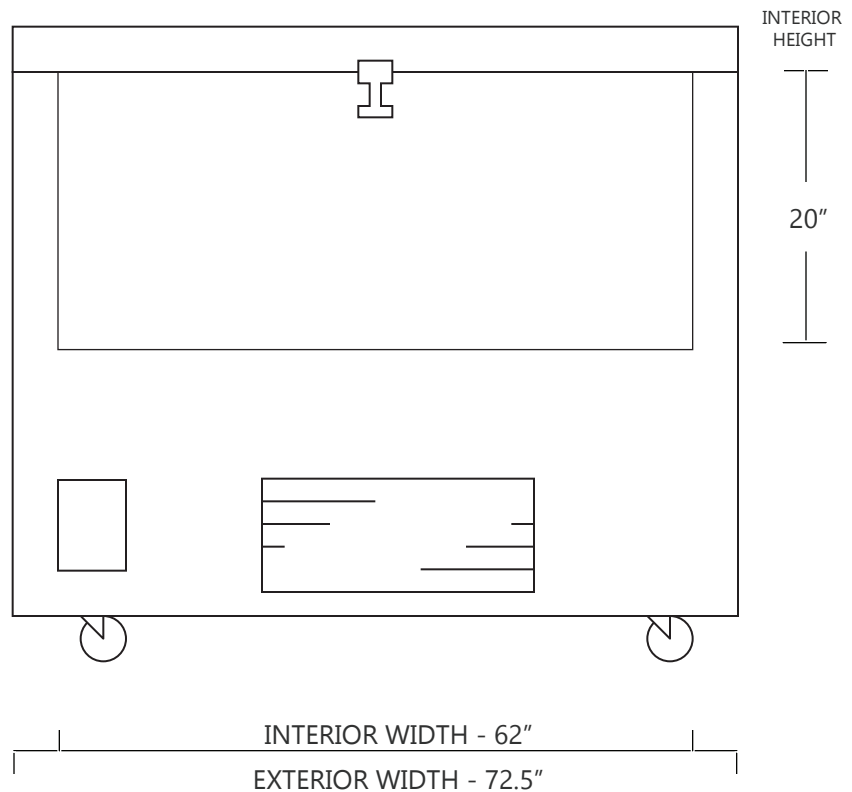
| | WIDTH | DEPTH | HEIGHT | WIDTH | DEPTH | HEIGHT |
|---------------------|---------|-------|---------|--------|--------|--------|
| INTERIOR DIMENSIONS | 62 IN | 20 IN | 20 IN | 157 CM | 50 CM | 50 CM |
| EXTERIOR DIMENSIONS | 72.5 IN | 33 IN | 47.5 IN | 184 CM | 83 CM | 120 CM |
| CRATED DIMENSIONS | 77 IN | 42 IN | 55 IN | 203 CM | 109 CM | 144 CM |

NOTE THAT THE FREEZER LID CAN OPEN UP TO APPROXIMATELY 75° FROM HORIZONTAL POSITION

SIDE VIEW



FRONT VIEW



SO-LOW



NET WEIGHT : 725 LBS.
SHIPPING WEIGHT: 900 LBS.

SHIPPING OPTIONS

DOCK-TO-DOCK DELIVERY (REQUIRES FORKLIFT OR PALLET JACK)
DOCK-TO-DOCK DELIVERY WITH LIFTGATE (REQUIRES FORKLIFT OR PALLET JACK)
INSIDE DELIVERY (WHITE GLOVE DELIVERY)