



SPEC SHEET

KoolMore 4.5 cu. ft. Countertop Medical Pharmacy Refrigerator With Multi-Level Emergency Alarms in White, UL Listed

Model: KM-PHR-45C

FEATURES

- Pharmacy Refrigerator
- Built-In 24-Hour Backup Battery for the Alarm and Data Logging (12V)
- Adjustable Storage Shelves
- Digital Temperature Control
- Digital Humidity Display
- Automatic Defrost
- Refrigerant Type: R600a
- UL Certifications



CLOSE UP IMAGES



TECHNICAL SPECS

Dimensions

Length	23.8
Width	23.4
Height	31.9
Interior Depth	19.5
Interior Width	19.8
Interior Height	24.4
Depth Less Door	24.2
Depth With Door Open 90 Degrees	46.06
Power Cord Length	66.9
Weight (lbs)	95

Capacity

Net Cubic Feet	4.5
Individual Shelf Capacity	53 Lbs

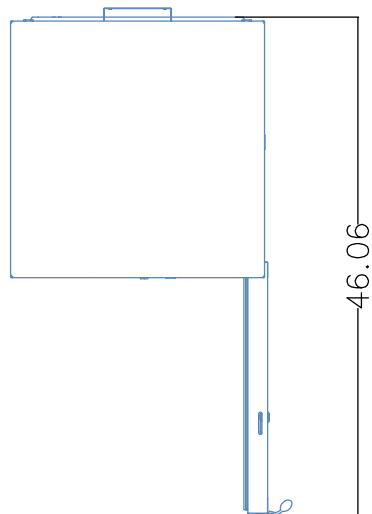
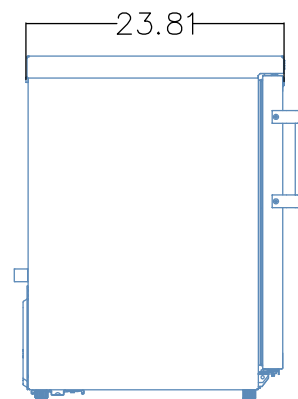
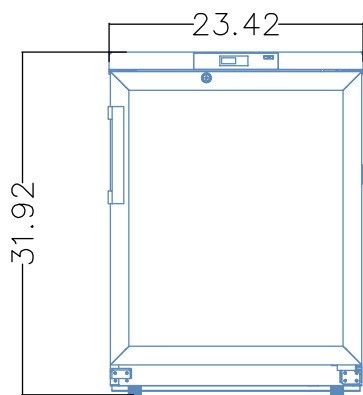
Features & Materials

Defrost Type	AUTO
Refrigerant Type	R600a
Digital LED Display	Yes
Digital Humidity Display	Yes
Electrical Heating Door	No
Number of Doors	1
Door Style	GLASS <input type="checkbox"/> Electric heating door optional <input type="checkbox"/>
Number of Shelves	3
Shelves Adjustable	YES
Shelf Material Type	Steel wire
Temperature Range	35.6-46.4
Ambient Temperature Range	50-89.6
Top Cooling Technology	NO
Built-In Air Duct	NO
Backup Battery Hours	24H
Backup Battery Type	LEAD-ACID
Backup Battery Replaceable	YES
Backup Battery Rechargeable	Y TURN ON THE BATTERY SWITCH AND ACTIVATE THE BUIL
Backup Battery Voltage	12V and UPS greater than 2KW
Backup Battery Capacity	1.4AH
Data Logging	YES
USB Port	YES
Safety Lock	YES
Low Temp Alarm	YES
High Temp Alarm	YES
Ambient Temp Alarm	YES
Power Failure Alarm	YES
Sensor Failure Alarm	YES
Door Ajar Alarm	YES
Remote Alarm	NO
Sensor Count	3
Color Finish	white
Color Door Handles	white

Electric & Certifications

Amps	2
Plug Type	NEMA 5-15P
Voltage	115
Wattage	160
Certifications	UL Listed

Plan View



CERTIFICATIONS

