

# Rice Lake VS-34



PLASTIC/POLYMER TOP

Model Rice Lake VS-34

## Standard Features

- Two wheels for portability
- Single ramp
- Vacuum-formed, ribbed platform
- Push-button LCD display
- Motiontrap™ movement compensation technology
- Unit of measure toggle or locking
- Communication via USB
- Tare function
- Hold function
- Factory calibrated
- Easy to store, folded depth is 11.75 in

## Specifications

### Capacity:

1,000 × 0.2 lb (450 × 0.1 kg)

### Platform Dimensions Without Ramps:

(W × L × H)

32 × 29.5 × 2.375 in

### Power:

9 VDC, provided by six AA alkaline batteries (included) or AC adapter (optional)

### Battery Type:

Six AA alkaline (included)

### Battery Use:

25 hours continuous use with batteries  
Automatic power-off can be configured

### Operating Temperature:

50 °F to 104 °F (14 °C to 40 °C)

### Display:

5-digit LCD display, 0.75 in (1.9 mm) digit height

### Approvals:

c-Met, E113986

### Warranty:

Two-year limited

## Approvals



## Part Number/Price

Part #	Model #	Capacity	Price
204405	Rice Lake VS-34	1,000 × 0.2 lb (450 kg × 0.1 kg) with USB	Consult

## Shipping Weight

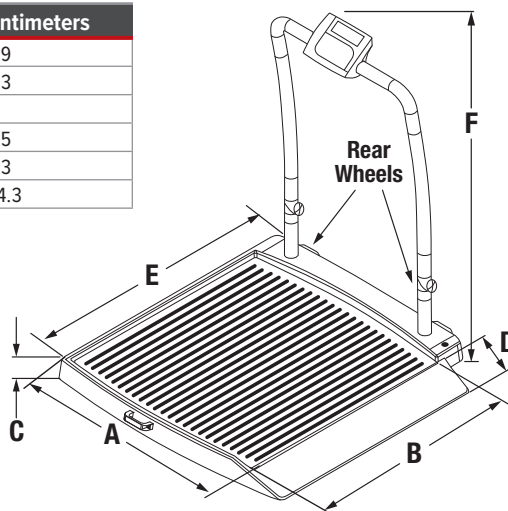
Part #	Model #	L (in)	W (in)	H (in)	Package Wgt. (lb)	Dim Wgt. (lb)	Shipping Wgt. (lb)
204405	Rice Lake VS-34	42	41	14	90	174	174

## Options/Accessories

Part #	Description	Price
220767	Heavy-duty mat	Consult
79074	Cable, USB 6 ft USB-A (male) to USB-B (male)	Consult
217091	Cable, Communication DB9 (female) to RJ45 (male), 4 conductor	Consult
186830	Cable, RS232 scale to printer, 6 ft, 25-pin D-Sub (male) to RJ45	Consult

## Dimensions

	Inches	Centimeters
A	29.5	74.9
B	32.0	81.3
C	2.4	6.1
D	9.25	23.5
E	37.5	95.3
F	45.0	114.3



Rice Lake VS-34 in folded position



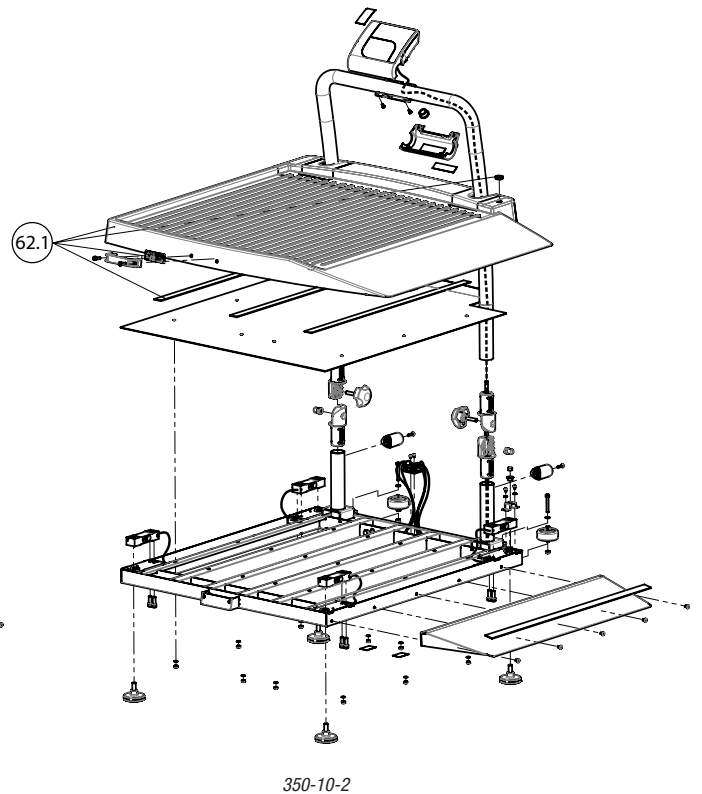
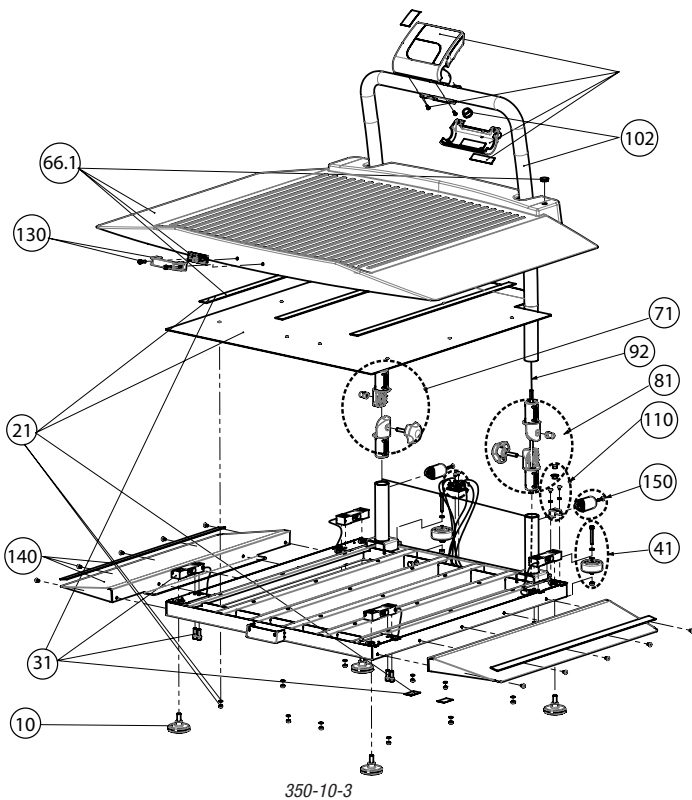
Optional heavy-duty mat

COMPANION ANIMAL SCALES



### Part Number/Price

Ref#	Part#	Description	Price
10	164516	Feet	Consult
21	164518	Base	Consult
31	164521	Load cell	Consult
41	164534	Wheel	Consult
51	164578	Junction box	Consult
62.1	165030	Platform	Consult
66.1	165064	Platform	Consult
71	165066	Right joint	Consult
81	165069	Left joint	Consult
	102636	Circular handle for hinge joint	Consult
92	165071	Cable	Consult
102	165084	Handrail kit	Consult
110	165086	Spirit level assembly	Consult
130	165089	Carry handle	Consult
140	165090	Ramp stop	Consult
150	165091	Rubber stop	Consult



# Medical Indicator, Titanium



## Part Number/Price

Ref#	Part#	Description	Price
	<b>131583</b>	Indicator	Consult
10	<b>164239</b>	Front, 150 indicator kit	Consult
20	<b>164240</b>	Hardware	Consult
30	<b>164241</b>	Circuit	Consult
	<b>204810</b>	Circuit with Bluetooth 2.0	Consult
	<b>204811</b>	Circuit with BLE	Consult
40	<b>164242</b>	Back panel	Consult
50	<b>164243</b>	Table	Consult
60	<b>164247</b>	Back cover	Consult
70	<b>164248</b>	Cover	Consult
	<b>133077</b>	Power supply, A/C adapter	Consult

