



The Importance of Animal Scale Calibration

Rice Lake's certified calibration weights are ideal weights to use when calibrating animal scales. They ensure your scale is properly calibrated and ready for the requirements of weighing in a wide range of animal care settings

Rice Lake Certified Calibration Weights ensure our scale is properly calibrated and ready to weigh a wide range of animal needs.

Weights for Animal Scale Calibration

Consumer weights such as barbells or similar items may not provide an accurate weight to calibrate your scale. For example, a 5-pound consumer weight, such as a barbell, may actually weigh between 4.75 and 5.25 pounds. Certified calibration weights have a manufactured and adjusted tolerance of +/-230 milligrams. Using a certified calibration weight will ensure your scale is calibrated correctly and presents accurate weighments for proper animal care.

Rice Lake Weighing Systems offers a wide range of certified calibration weights designed to verify the accuracy of your scales. Visit www.ricelake.com/precision to view our calibration weights

Rice Lake VS-30

COMPANION
ANIMAL SCALES



Approvals



Model Rice Lake VS-30

Standard Features

- Two wheels for portability
- Single ramp
- Vacuum-formed, ribbed platform
- Push-button LCD display
- Motiontrap™ movement compensation technology
- Unit of measure toggle or locking
- Communication via USB
- Tare function
- Hold function
- Factory calibrated

Specifications

Capacity:

1,000 × 0.2 lb (450 × 0.1 kg)

Platform Dimensions Without Ramps:

(W × L × H)
32.0 × 29.5 × 2.4 in

Power:

9 VDC, provided by six AA alkaline batteries (included) or AC adapter (optional)

Battery Type:

Six AA alkaline (included)

Battery Use:

25 hours continuous use with batteries
Automatic power-off can be configured

Operating Temperature:

50 °F to 104 °F (14 °C to 40 °C)

Cable Length:

7 ft (2.1 m) cable between scale base and indicator

Display:

5-digit LCD display, 0.75 in (1.9 mm) digit height

Approvals:

c-Met, E113986

Warranty:

Two-year limited

Part Number/Price

Part #	Model #	Capacity	Price
204396	Rice Lake VS-30	1,000 × 0.2 lb (450 × 0.1 kg) with USB	Consult

Shipping Weight

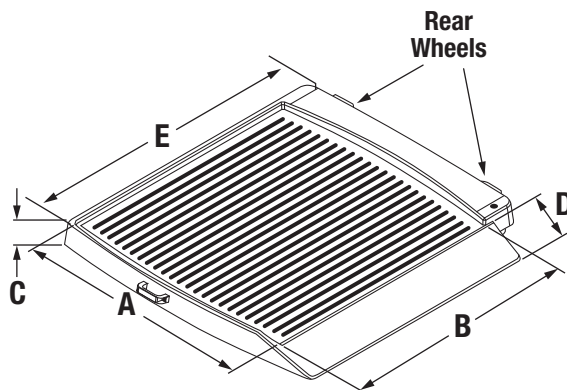
Part #	Model #	L (in)	W (in)	H (in)	Package Wgt. (lb)	Dim Wgt. (lb)	Shipping Wgt. (lb)
204396	Rice Lake VS-30	45	44	7	78	100	100

Options/Accessories

Part #	Description	Price
220767	Heavy-duty mat	Consult
79074	Cable, USB 6 ft USB-A (male) to USB-B (male)	Consult
217091	Cable, Communication DB9 (female) to RJ45 (male), 4 conductor	Consult
186830	Cable, RS232 scale to printer, 6 ft, 25-pin D-Sub (male) to RJ45	Consult

Dimensions

	Inches	Centimeters
A	29.5	74.9
B	32.0	81.3
C	2.4	6.1
D	9.3	23.5
E	37.5	95.3



Optional heavy-duty mat

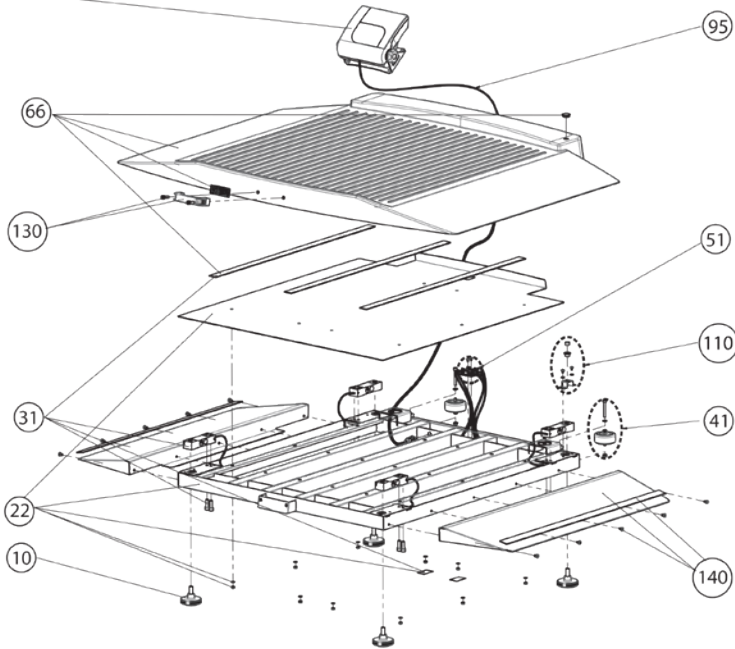
MEDICAL SCALES
350-10-7, 350-10-8

Part Number/Price

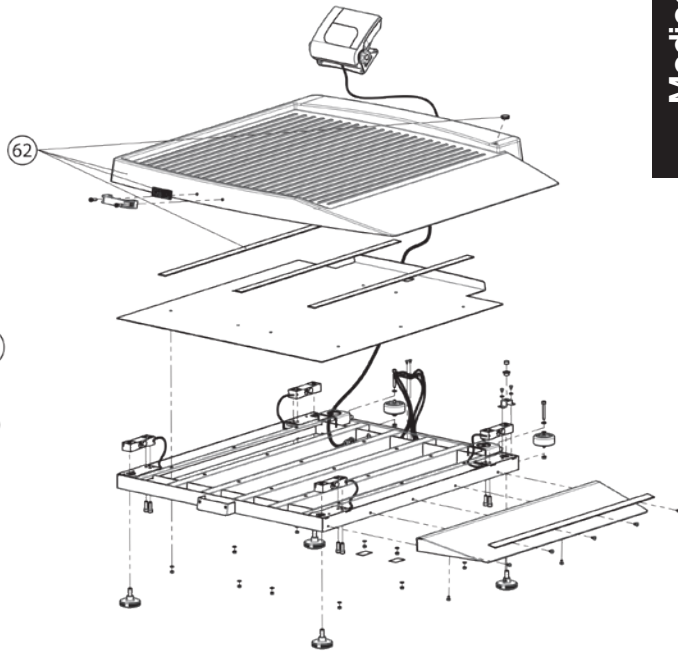
Ref#	Part#	Description	Price
10	164516	Feet	Consult
22	164518	Base	Consult
31	164521	Load cell	Consult
41	164534	Wheel	Consult
51	164578	Junction box	Consult
62	165029	Platform	Consult
66	165063	Platform	Consult
95	165072	Cable	Consult
110	165086	Spirit level assembly	Consult
130	165089	Carry handle	Consult
140	165090	Ramp	Consult



See page 214



350-10-8



350-10-7

Medical Scales

MEDICAL SCALES

Medical Indicator, Titanium



Part Number/Price

Ref#	Part#	Description	Price
	131583	Indicator	Consult
10	164239	Front, 150 indicator kit	Consult
20	164240	Hardware	Consult
30	164241	Circuit	Consult
	204810	Circuit with Bluetooth 2.0	Consult
	204811	Circuit with BLE	Consult
40	164242	Back panel	Consult
50	164243	Table	Consult
60	164247	Back cover	Consult
70	164248	Cover	Consult
	133077	Power supply, A/C adapter	Consult

Medical Scales

