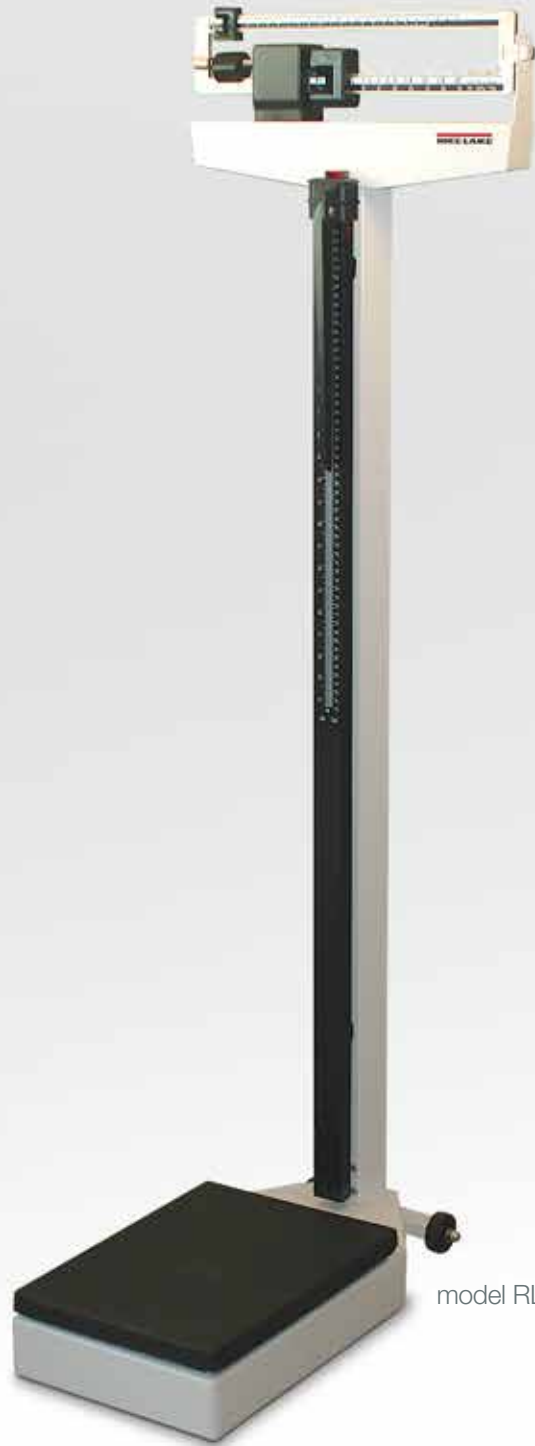


mechanical
physician
scale series

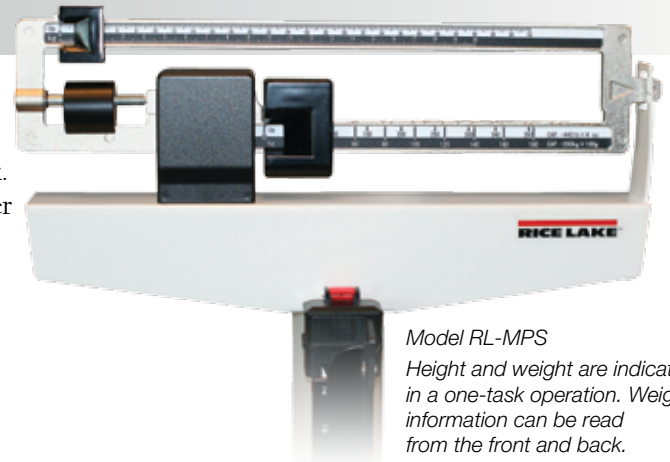


model RL-MPS

mechanical **physician** scale series

THE RICE LAKE MECHANICAL Physician Scale features a dual die-cast beam. The weight can be read from either the front or back. The scale base is designed with a removable slip-resistant base cover for easy cleaning.

The optional height rod measures 24 inches (60 cm) to 84 inches (212 cm). Durable, accurate and easy to operate, move, and store, the Rice Lake Mechanical Physician Scale is ideal for use in clinics and hospitals.



*Model RL-MPS
Height and weight are indicated in a one-task operation. Weigh information can be read from the front and back.*

RL-MPS Series

Standard Features

- 10.75 in W x 14.75 in L platform
- Sturdy enameled steel body
- Die-cast beam
- Rugged scale understructure
- Removable slip-resistant base cover
- Easy operation with two sliding weights
- Rear wheels for ease of portability

Model RL-MPS

- Dual-read capacity 440 lb x 4 oz (200 kg x 100 g)
- Retractable aluminum height rod

Model RL-MPS-10

- Capacity 450 lb x 4 oz
- Retractable aluminum height rod

Model RL-MPS-20

- Dual-read capacity 440 lb x 4 oz (200 kg x 100 g)

Model RL-MPS-30

- Capacity 180 kg x 100 g
- Handpost
- Retractable aluminum height rod (centimeters only)

Warranty

Two-year limited warranty



LB & KG

RL-MPS-50 MECHANICAL PHYSICIAN SCALE

Rice Lake's RL-MPS-50 mechanical physician scale is built to weigh patients up to 450 pounds (200 kilograms). The RL-MPS-50 features a height rod for monitoring growth and is designed with rear wheels for ease of transport. The poise travels freely along the weigh beam with just a tap of the finger. A distinctive, color-coded weigh beam is easy to read, with a kilogram weighing option available by flipping the beam.



FEATURES

- Ease of transport with rear wheels
- Aluminum height rod included
- Poise travels free on weigh beam with simple finger tap
- Easy-to-read weigh beam's color-coded black inset shows lb markings, white inset shows kg markings. The beam can be rotated to the desired unit of measure.
- Aluminum height rod

SPECIFICATIONS

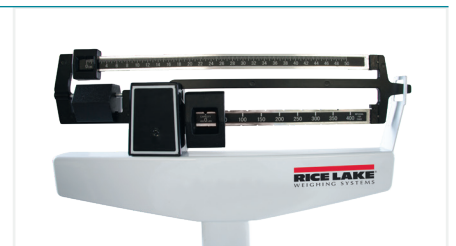
Capacity:
450 lb × 4 oz (200 kg × 100 g)

Platform Dimensions:
(L × W × H)
14.75 × 10.75 × 4.13 in

Height Rod:
Measures 29.50 to 78.75 in
(75 to 200 cm)

Height Division:
0.25 in (5 mm)

Warranty:
Two-year limited



Weigh beam with lb markings



Weigh beam with kg markings



MECHANICAL PHYSICIAN SCALE - LB AND KG

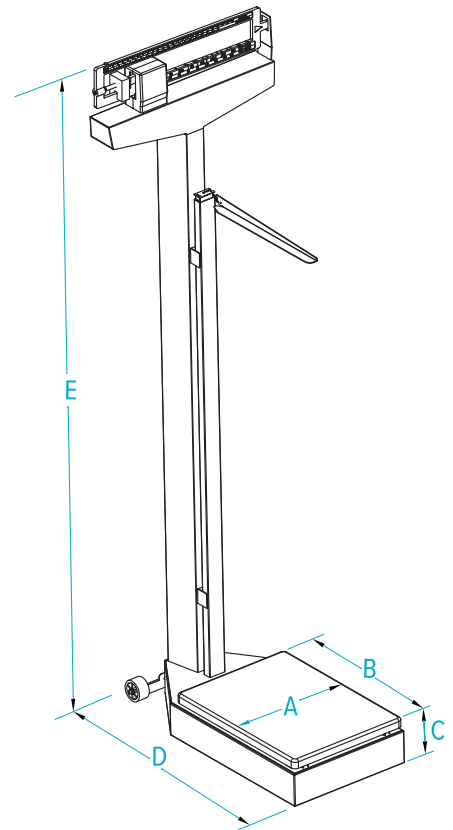
| MODEL | CAPACITY | PART # |
|-----------|----------------------------|--------|
| RL-MPS-50 | 450lb x 4oz (200kg x 100g) | 195264 |

SHIPPING WEIGHT

| MODEL # | PART # | L (IN) | W (IN) | H (IN) | PACKAGE WGT. (LB) | DIM WGT. (LB) | SHIPPING WGT. (LB) |
|-----------|--------|--------|--------|--------|-------------------|---------------|--------------------|
| RL-MPS-50 | 195264 | 60 | 21 | 5 | 39 | 46 | 46 |

DIMENSIONS

| | INCHES | CENTIMETERS | | INCHES | CENTIMETERS |
|----------|--------|-------------|----------|--------|-------------|
| A | 10.75 | 27.3 | D | 22.20 | 56.4 |
| B | 14.75 | 37.5 | E | 58.90 | 149.6 |
| C | 4.13 | 10.5 | | | |



Mechanical Physician Scales



Part Number/Price

| Part# | Description | Price |
|--------|--|---------|
| 109637 | Height rod (RL-MPS, RL-MPS-10) | Consult |
| 116380 | Scale base foot (set of 5) | Consult |
| 116381 | Pillar screw with lock washer (set of 8) | Consult |
| 175418 | Black plastic cover for scale base | Consult |
| 169569 | Counterpoise set, one fine and one coarse weight | Consult |
| 201979 | Wheels (set of 2) | Consult |