

# Rice Lake VS-40



Model Rice Lake VS-40

## Standard Features

- Two wheels for portability
- Large dual ramp
- Vacuum-formed, ribbed platform
- Large 1-inch LCD display
- Motiontrap™ movement compensation technology
- Unit of measure toggle or locking
- Communication via USB
- Tare function
- Hold function
- Factory calibrated

## Specifications

### Capacity:

1,000 × 0.2 lb (450 × 0.1 kg)

### Platform Dimensions Without Ramps:

(W × L × H) 35.0 × 29.5 × 2.4 in

### Platform Dimensions with Wheels and Ramps:

(W × L × H) 34.2 × 63.7 × 3.7 in

### Power:

9 VDC, provided by six AA alkaline batteries (included) or AC adapter (optional)

### Battery Type:

Six AA alkaline (included)

### Battery Use:

25 hours continuous use with batteries  
Automatic power-off can be configured

### Operating Temperature:

50 °F to 104 °F (10 °C to 40 °C)

### Cable Length:

7 ft (2.1 m) cable between scale base and indicator

### Display:

5-digit LCD display, 0.75 in (1.9 cm) digit height

### Approvals:

c-Met, E113986

### Warranty:

Two-year limited

## Part Number/Price

Part #	Model #	Capacity	Price
204407	Rice Lake VS-40	1,000 × 0.2 lb (450 × 0.1 kg)	Consult

## Shipping Weight

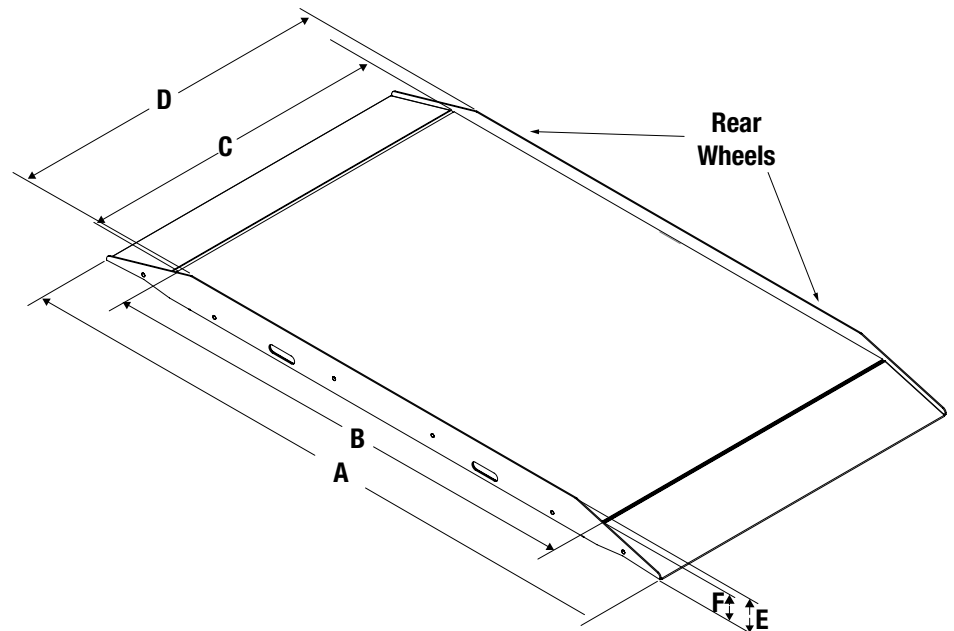
Part #	Model #	L (in)	W (in)	H (in)	Package Wgt. (lb)	Dim Wgt. (lb)	Shipping Wgt. (lb)
204407	Rice Lake VS-40	67.2	36	6	154	104	154

## Options/Accessories

Part #	Description	Price
79074	Cable, USB 6 ft USB-A (male) to USB-B (male)	Consult
217091	Cable, Communication DB9 (female) to RJ45 (male), 4 conductor	Consult
186830	Cable, RS232 scale to printer, 6 ft, 25-pin D-Sub (male) to RJ45	Consult

## Dimensions

	Inches	Centimeters
A	63.8	162.0
B	49.3	125.3
C	32.7	83.1
D	32.9	83.6
E	3.9	9.8
F	2.6	6.7



# Medical Indicator, Titanium



## Part Number/Price

Ref#	Part#	Description	Price
	<b>131583</b>	Indicator	Consult
10	<b>164239</b>	Front, 150 indicator kit	Consult
20	<b>164240</b>	Hardware	Consult
30	<b>164241</b>	Circuit	Consult
	<b>204810</b>	Circuit with Bluetooth 2.0	Consult
	<b>204811</b>	Circuit with BLE	Consult
40	<b>164242</b>	Back panel	Consult
50	<b>164243</b>	Table	Consult
60	<b>164247</b>	Back cover	Consult
70	<b>164248</b>	Cover	Consult
	<b>133077</b>	Power supply, A/C adapter	Consult

