



## Stable Weight:

Scales are an Integral Component of Equine Health

Dr. Abigail Mickelson, DVM, and Dr. Ed Metcalf, DVM, rely on a recently installed Rice Lake animal scale and digital weight indicator to weigh equine patients.

Medically evaluating and caring for horses is a challenging profession. Veterinarians must rely on training, experience, intuition and experience to correctly monitor, diagnose and treat horses of all breeds and ages. Although a variety of physical equipment is also utilized, one device is of the utmost importance: an accurate weighing system. However, it is often overlooked in the industry. At Leading Edge Veterinary Services in Springbrook, Wisconsin, large animal veterinarians Dr. Abigail Mickelson, DVM, and Dr. Ed Metcalf, DVM, rely on a recently installed Rice Lake animal scale and digital weight indicator to weigh equine patients.

Dr. Mickelson explains the importance of weight as it relates to animal wellness. “There are a number of health issues associated with obesity in horses, aside from the typical orthopedic problems. One of the major diseases that has a direct correlation to obesity is equine metabolic syndrome [EMS]. When EMS is present, horses will have excessive fat deposits which are not stagnant. Rather, these deposits are metabolically active and eventually lead to laminitis. The worst part is the pain factor for these horses. Unlike humans, we cannot put them in a wheelchair. Laminitis is typically and unfortunately the end of the line.”



“An accurate equine scale, because it is objective and scientific, is essential to confirm weight gain and convince owners to take action.”

Dr. Abigail Mickelson, DVM, Leading Edge Veterinary Services

Weight gain is typically gradual and can go unnoticed by horse owners. Therefore, it is important to maintain regular veterinary checkups because a doctor who is familiar with an animal will recognize changes in weight. “I notice it,” says Dr. Mickelson. “The owner might think their horse looks great or sometimes they use other horses on the farm, who are also overweight, as a comparison. In these scenarios, they are often shocked when I show them the scale readout and it is 20-30% higher than their estimation. This is why an accurate equine scale, because it is objective and scientific, is essential to confirm weight gain and convince owners to take action.”

For hospitalized animals, leveraging the advantages of a scale is equally if not more important than regular weight monitoring. To properly determine medication dosage, an accurate weight is essential. In critical settings when an IV is

needed, calculating equine prescriptions is based on the horse’s weight. A scale with greater than one-pound precision is recommended for these applications.

Durability and repeatability are additional factors that should be considered when choosing an equine scale. A weighing system may be accurate when initially installed but fall out of tolerance as it is used. After all, horses are not always well-behaved during the weighing process—especially when they are not feeling well. Selecting a scale that can handle reluctant patients’ antics, including hoof stomps, and still deliver consistent, stable weights is key for long-term use. Hermetically sealed load cells are ideal so the system can be washed down without damage. Regular inspections and calibrations should also be performed by a local, authorized scale service technician.

For Leading Edge Veterinary Services, Rice Lake’s RoughDeck® EQ equine scale perfectly complements their recently built cutting-edge facility. Prior to 2020, they focused on ambulatory care and worked primarily from a farm. Having a centralized building rather than performing the bulk of services in the field allows their doctors to deliver a higher quality of care for animals throughout northwest Wisconsin. In addition to a veterinary center, the location is home to stables and an arena for equine events.

With all these services onsite, Leading Edge Veterinary Services has separated themselves from the pack in terms of premier animal care and services. By implementing the latest technology, they have ensured the company will be a front-runner for years to come.

# RoughDeck® EQ

Equine Floor Scale and Indicator Package



## Standard Features

- Package includes 4 ft × 6 ft × 4.25 in floor scale with stall mat, 20 ft of SURVIVOR EL147HE hostile environment load cell cable and indicator
- Mat thickness 0.75 in

## Scale

- Heavy-duty design with structural steel channel frame
- Stall mat to reduce noise and instill equine comfort
- 4 adjustable stainless steel SUREFOOT™ support feet
- Powder-coated black matte finish

## Indicator

- LCD backlit display for a variety of environments
- Battery backed time and date
- Communication ports for connecting to a variety of peripherals

## RoughDeck EQ Specifications

### End Load Capacity:

100% full scale at 2,500 lb

### Load Cells:

Model RL32018 alloy steel environmentally sealed IP66

### Junction Box:

Side access, TuffSeal JB4SS stainless steel, NEMA Type 4X with a signal card

### Feet:

Stainless steel SUREFOOT, adjustable (+0.25 in or -0.125 in) for leveling the scale

### Finish:

Powder coat painted, black matte

### Cable Length:

20 ft (6.1 m) for connecting scale junction box to indicator

### Threaded Eyebolt:

One lifting hole located in center of scale for easy install (requires 1/2-20NF eyebolt, not included)

### Warranty:

Two-year limited

## 482 Specifications

### Power:

Line voltages: 100 to 240 VAC  
Frequency: 50/60 Hz  
DC voltages: n/a

### Communication Ports:

Com 1: RS-232 full duplex  
Com 2: RS-232 full duplex or 20 mA simplex, continuous  
Both ports 1200, 2400, 4800, 9600, 19200, 38400 baud seven or eight data bits, even, odd or no parity

### Optional Ethernet and USB Board:

USB five-pin header for PC, printer or flash drive  
Ethernet TCP/IP, RJ45 jack, server and client ports

### Display:

LCD backlit, transmissive/ transfective, 0.8 in (20 mm), six-digit, seven-segment

### Annunciators:

Gross, net, center of zero, standstill, lb, kg, tare, preset tare

### Keys/Buttons:

Flat membrane panel, embossed keys, tactile feel

### Rating/Material:

NEMA Type 4X/IP66  
Stainless steel

### Approvals:

NTEP 12-123  
Measurement Canada AM-5892C  
CE  
cULus

## Part Number/Price

Part #	Size (W × L × H)	Capacity	Est. Weight	Price
<b>RoughDeck EQ Floor Scale with 482 Indicator</b>				
<b>207811</b>	4 ft × 6 ft × 4.25 in	2,500 × 0.5 lb	610 lb	Consult

Note: Height includes stall mat

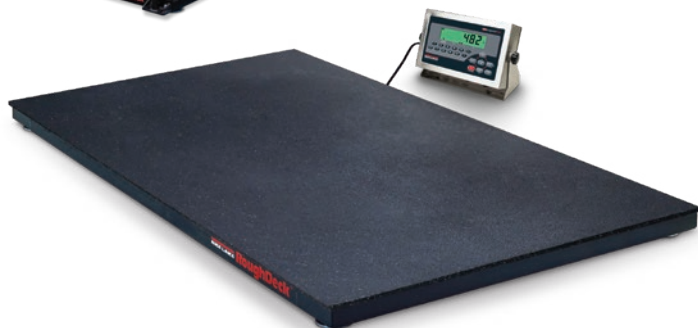
## Options/Accessories

Part #	Description	Price
Consult	Access ramps	Consult list price add-on
Consult	Smooth deck instead of diamond safety tread plate	N/C
<b>12839*</b>	50 lb cast iron calibration weights	Consult
<b>207812</b>	Guide rail, 5.66 ft long × 4.36 ft high, field installable, black matte finish	Consult list price add-on
<b>18777</b>	Floor anchor plates	Consult
Consult	Hermetically sealed load cells	Consult

\*Quantity of 5 weights is recommended for 10% of capacity.



RoughDeck EQ with two optional guide rails installed



LARGE ANIMAL  
SCALES

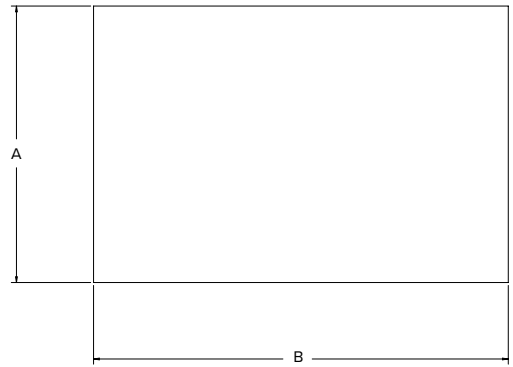
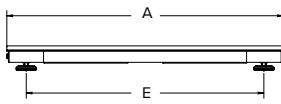
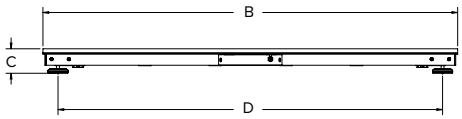
# RoughDeck® EQ

Equine Floor Scale and Indicator Package

## Dimensions

4 ft × 6 ft × 4.25 in with No Optional Guide Rail

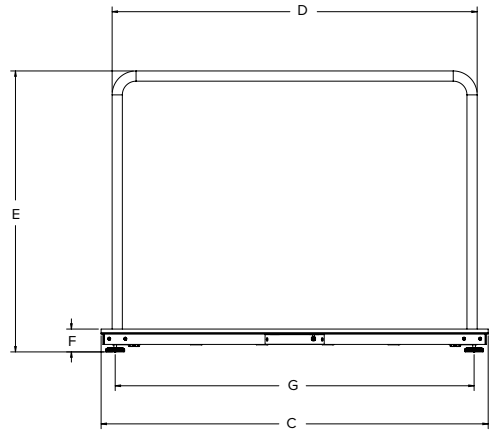
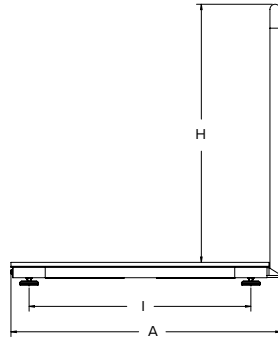
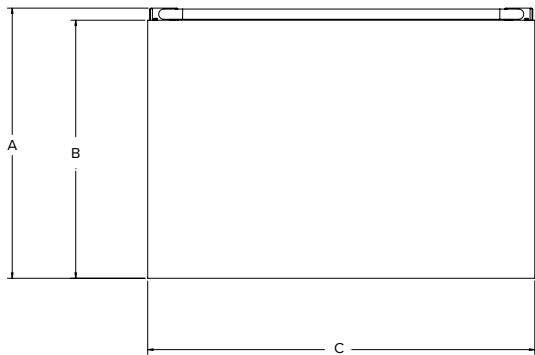
A	48.00 in	D	66.76 in
B	72.00 in	E	41.25 in
C	4.25 in		



## Dimensions

4 ft × 6 ft × 4.25 in with One Optional Guide Rail

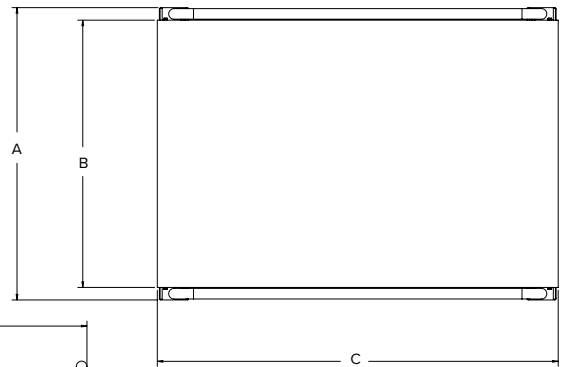
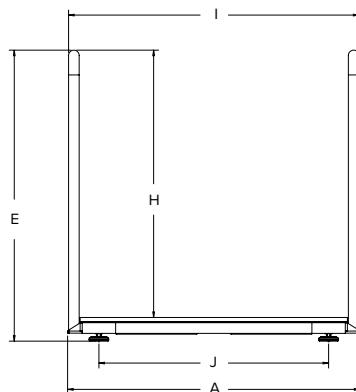
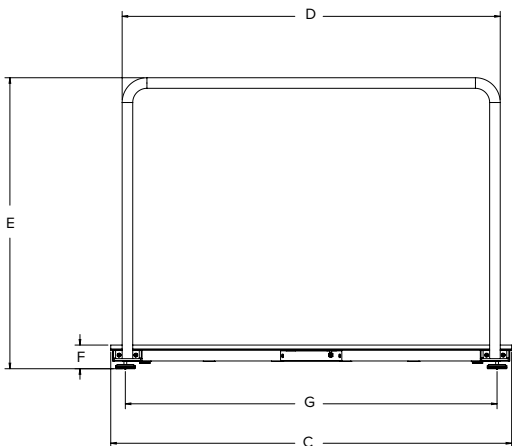
A	50.25 in	F	4.25 in
B	48.00 in	G	66.76 in
C	72.00 in	H	48.00 in
D	67.90 in	I	41.25 in
E	52.26 in		



## Dimensions

4 ft × 6 ft × 4.25 in with Two Optional Guide Rails

A	50.25 in	F	4.25 in
B	48.00 in	G	66.76 in
C	72.00 in	H	48.00 in
D	67.90 in	I	52.15 in
E	52.26 in	J	41.25 in



LARGE ANIMAL  
SCALES