

**LB & KG**

# RL-MPS

## MECHANICAL PHYSICIAN SCALE

The RL-MPS mechanical physician scale features a painted beam for weighing up to 440 pounds (200 kilograms). For added convenience, weight readings can be taken from either the front or back of the scale. Its base is designed with a removable, slip-resistant base cover for easy cleaning, and can be easily transported with two built-in durable wheels.



### FEATURES

- Sturdy, enameled steel body
- Painted beam
- Rugged scale understructure
- Durable wheels for easy transport
- Easy operation with two sliding weights
- Removable slip-resistant scale base cover
- Aluminum height rod

### SPECIFICATIONS

**Capacity:**  
440 lb × 4 oz (200 kg × 100 g)

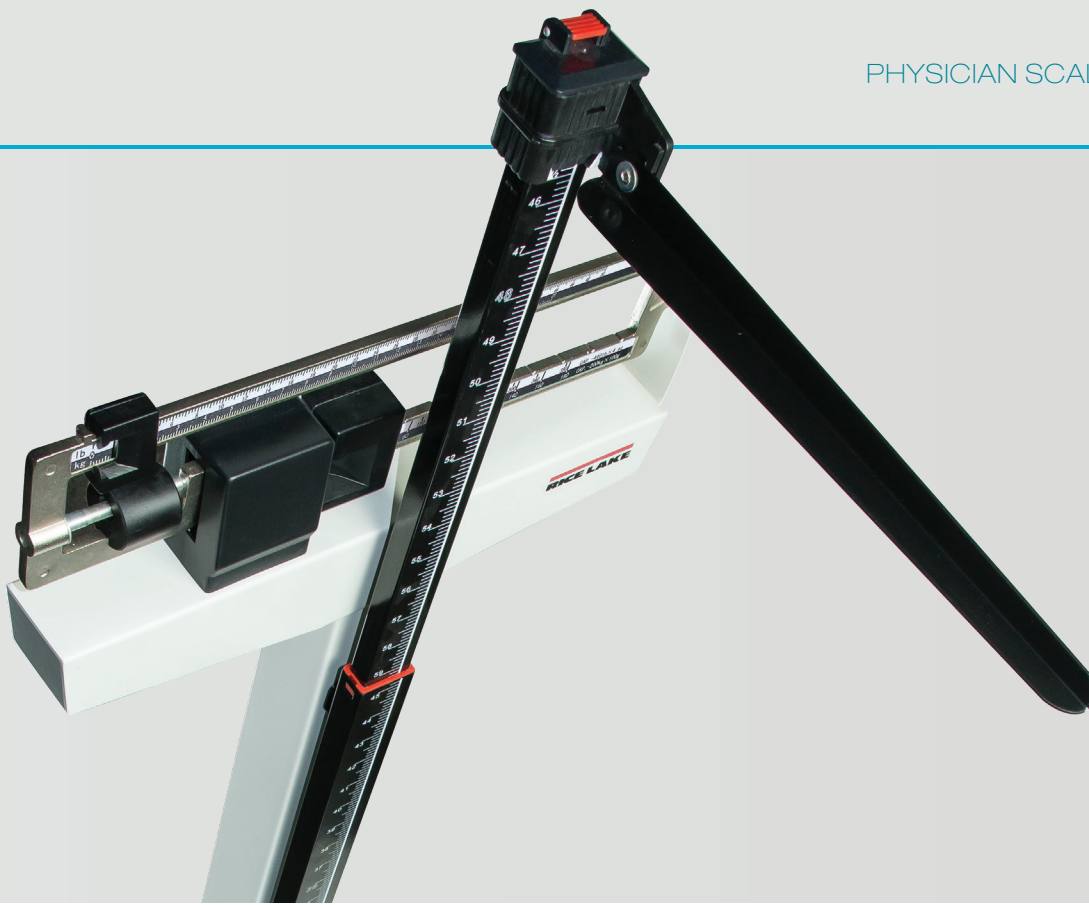
**Platform Dimensions:**  
(L × W × H)  
14.75 × 10.75 × 4.13 in

**Height Rod:**  
Measures 24 to 84 in  
(60 to 212 cm)

**Height Division:**  
0.125 in (0.1 cm)

**Warranty:**  
Two-year limited





## MECHANICAL PHYSICIAN SCALE - LB AND KG

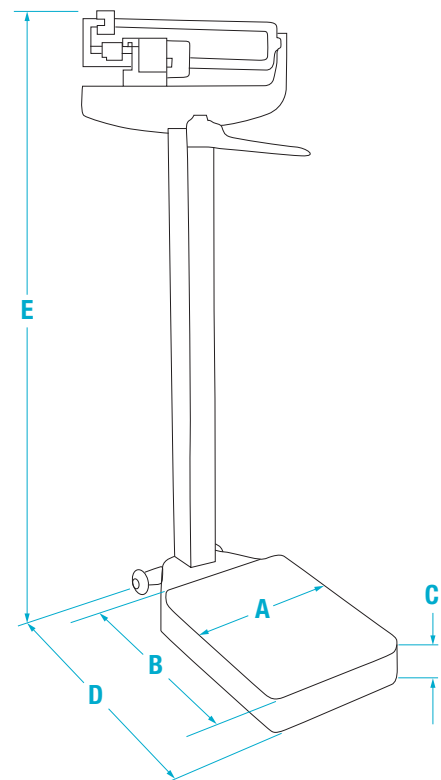
MODEL	CAPACITY	PART #
RL-MPS	440lb x 4 oz (200kg x 100g)	102613

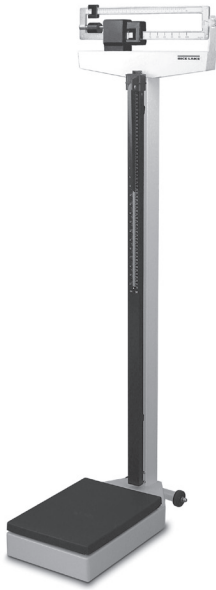
## SHIPPING WEIGHT

MODEL #	PART #	L (IN)	W (IN)	H (IN)	PACKAGE WGT. (LB)	DIM WGT. (LB)	SHIPPING WGT. (LB)
RL-MPS	102613	60	21	7	42	64	64

## DIMENSIONS

	INCHES	CENTIMETERS		INCHES	CENTIMETERS
<b>A</b>	10.75	27.3	<b>D</b>	22.30	56.6
<b>B</b>	14.75	37.5	<b>E</b>	58.50	148.6
<b>C</b>	4.13	10.5			





**Part Number/Price**

Part#	Description	Price
109637	Height rod	Consult
116380	Scale base foot (set of 5)	Consult
116381	Pillar screw with lock washer (set of 8)	Consult
175418	Black plastic cover for scale base	Consult
169569	Counterpoise set, one fine and one coarse weight	Consult
201979	Wheels (set of 2)	Consult