

Rice Lake VS-36

COMPANION
ANIMAL SCALES

RUBBERIZED
PLATFORM

METAL PLATFORM



Approvals



Part Number/Price

Part #	Model #	Capacity	Price
204403	Rice Lake VS-36	1,000 × 0.2 lb (450 × 0.1 kg)	Consult

Shipping Weight

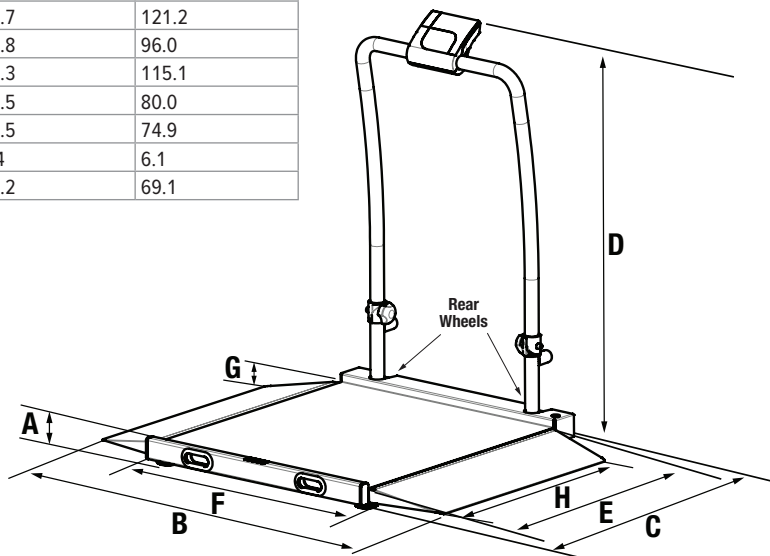
Part #	Model #	L (in)	W (in)	H (in)	Package Wgt. (lb)	Dim Wgt. (lb)	Shipping Wgt. (lb)
204403	Rice Lake VS-36	51	42	14	102	216	216

Options/Accessories

Part #	Description	Price
79074	Cable, USB 6 ft USB-A (male) to USB-B (male)	Consult
217091	Cable, Communication DB9 (female) to RJ45 (male), 4 conductor	Consult
186830	Cable, RS232 scale to printer, 6 ft, 25-pin D-Sub (male) to RJ45	Consult

Dimensions

	Inches	Centimeters
A	3.15	8.0
B	47.7	121.2
C	37.8	96.0
D	45.3	115.1
E	31.5	80.0
F	29.5	74.9
G	2.4	6.1
H	27.2	69.1



Standard Features

- Metal Platform
- Two wheels for portability
- Dual ramp
- Vacuum-formed, ribbed platform
- Push-button LCD display
- Motiontrap™ movement compensation technology
- Unit of measure toggle or locking
- Communication via USB
- Tare function
- Hold function
- Factory calibrated
- Easy to store, folded depth is 11.75 in

Specifications

Capacity:

1,000 × 0.2 lb (450 × 0.1 kg)

Platform Dimensions:

(W × L × H)

31.5 × 29.5 × 3.15 in

Power:

9 VDC, provided by six AA alkaline batteries (included) or AC adapter (optional)

Battery Type:

Six AA alkaline (included)

Battery Use:

25 hours continuous use with batteries
Automatic power-off can be configured

Operating Temperature:

50 °F to 104 °F (14 °C to 40 °C)

Display:

5-digit LCD display, 0.75 in (1.9 mm) digit height

Approvals:

c-Met, E113986

Warranty:

Two-year limited



Rice Lake VS-36 in folded position

Medical Indicator, Titanium



Part Number/Price

Ref#	Part#	Description	Price
	131583	Indicator	Consult
10	164239	Front, 150 indicator kit	Consult
20	164240	Hardware	Consult
30	164241	Circuit	Consult
	204810	Circuit with Bluetooth 2.0	Consult
	204811	Circuit with BLE	Consult
40	164242	Back panel	Consult
50	164243	Table	Consult
60	164247	Back cover	Consult
70	164248	Cover	Consult
	133077	Power supply, A/C adapter	Consult

