



The Importance of Animal Scale Calibration

Rice Lake's certified calibration weights are ideal weights to use when calibrating animal scales. They ensure your scale is properly calibrated and ready for the requirements of weighing in a wide range of animal care settings

Rice Lake Certified Calibration Weights ensure our scale is properly calibrated and ready to weigh a wide range of animal needs.

Weights for Animal Scale Calibration

Consumer weights such as barbells or similar items may not provide an accurate weight to calibrate your scale. For example, a 5-pound consumer weight, such as a barbell, may actually weigh between 4.75 and 5.25 pounds. Certified calibration weights have a manufactured and adjusted tolerance of +/-230 milligrams. Using a certified calibration weight will ensure your scale is calibrated correctly and presents accurate weighments for proper animal care.

Rice Lake Weighing Systems offers a wide range of certified calibration weights designed to verify the accuracy of your scales. Visit www.ricelake.com/precision to view our calibration weights

Rice Lake VS-31

COMPANION
ANIMAL SCALES

PLASTIC/POLYMER
TOP



Model Rice Lake VS-31

Standard Features

- Two wheels for portability
- Dual ramp
- Vacuum-formed, ribbed platform
- Push-button LCD display
- Motiontrap™ movement compensation technology
- Unit of measure toggle or locking
- Communication via USB
- Tare function
- Hold function
- Factory calibrated

Specifications

Capacity:

1,000 × 0.2 lb (450 × 0.1 kg)

Platform Dimensions Without Ramps:

(W × L × H)

32.0 × 29.5 × 2.4 in

Power:

9 VDC, provided by six AA alkaline batteries (included) or AC adapter (optional)

Battery Type:

Six AA alkaline (included)

Battery Use:

25 hours continuous use with batteries
Automatic power-off can be configured

Operating Temperature:

50 °F to 104 °F (14 °C to 40 °C)

Cable Length:

7 ft (2.1 m) cable between scale base and indicator

Display:

5-digit LCD display, 0.75 in (1.9 mm) digit height

Approvals:

c-Met, E113986

Warranty:

Two-year limited

Approvals



Part Number/Price

| Part # | Model # | Capacity | Price |
|--------|-----------------|--|---------|
| 204397 | Rice Lake VS-31 | 1,000 × 0.2 lb (450 × 0.1 kg) with USB | Consult |

Shipping Weight

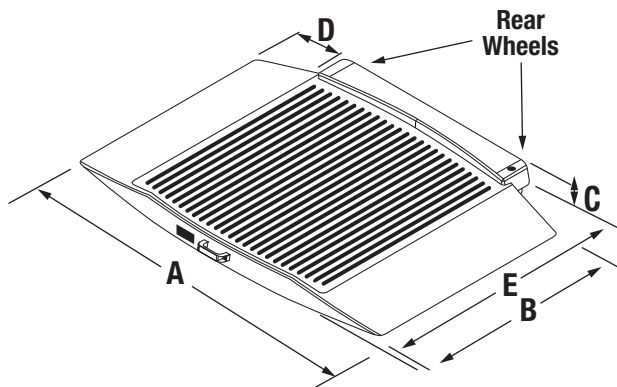
| Part # | Model # | L (in) | W (in) | H (in) | Package Wgt. (lb) | Dim Wgt. (lb) | Shipping Wgt. (lb) |
|--------|-----------------|--------|--------|--------|-------------------|---------------|--------------------|
| 204397 | Rice Lake VS-31 | 53 | 45 | 7 | 86 | 121 | 121 |

Options/Accessories

| Part # | Description | Price |
|--------|--|---------|
| 220767 | Heavy-duty mat | Consult |
| 79074 | Cable, USB 6 ft USB-A (male) to USB-B (male) | Consult |
| 217091 | Cable, Communication DB9 (female) to RJ45 (male), 4 conductor | Consult |
| 186830 | Cable, RS232 scale to printer, 6 ft, 25-pin D-Sub (male) to RJ45 | Consult |

Dimensions

| | Inches | Centimeters |
|---|--------|-------------|
| A | 48.5 | 123.2 |
| B | 32.0 | 81.3 |
| C | 2.4 | 6.1 |
| D | 9.3 | 23.6 |
| E | 38.0 | 96.5 |



Optional heavy-duty mat

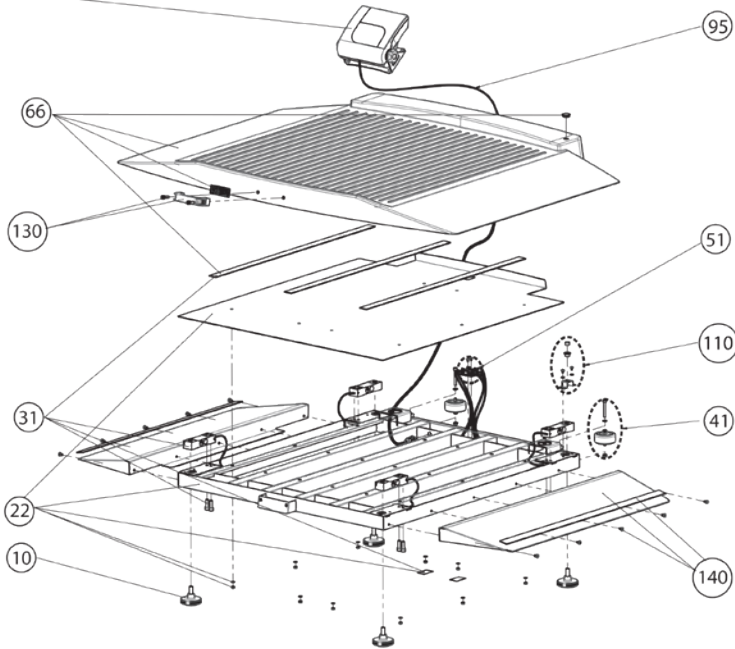
MEDICAL SCALES
350-10-7, 350-10-8

Part Number/Price

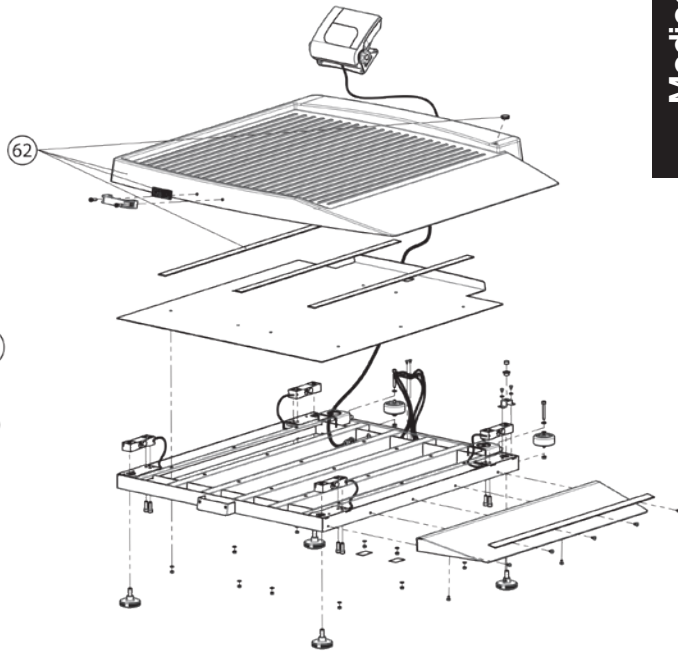
| Ref# | Part# | Description | Price |
|------|--------|-----------------------|---------|
| 10 | 164516 | Feet | Consult |
| 22 | 164518 | Base | Consult |
| 31 | 164521 | Load cell | Consult |
| 41 | 164534 | Wheel | Consult |
| 51 | 164578 | Junction box | Consult |
| 62 | 165029 | Platform | Consult |
| 66 | 165063 | Platform | Consult |
| 95 | 165072 | Cable | Consult |
| 110 | 165086 | Spirit level assembly | Consult |
| 130 | 165089 | Carry handle | Consult |
| 140 | 165090 | Ramp | Consult |



See page 214



350-10-8



350-10-7

Medical Scales

MEDICAL SCALES

Medical Indicator, Titanium



Part Number/Price

| Ref# | Part# | Description | Price |
|------|---------------|----------------------------|---------|
| | 131583 | Indicator | Consult |
| 10 | 164239 | Front, 150 indicator kit | Consult |
| 20 | 164240 | Hardware | Consult |
| 30 | 164241 | Circuit | Consult |
| | 204810 | Circuit with Bluetooth 2.0 | Consult |
| | 204811 | Circuit with BLE | Consult |
| 40 | 164242 | Back panel | Consult |
| 50 | 164243 | Table | Consult |
| 60 | 164247 | Back cover | Consult |
| 70 | 164248 | Cover | Consult |
| | 133077 | Power supply, A/C adapter | Consult |

Medical Scales

