

WAIST-LEVEL

# 150-10-6

## DIGITAL PHYSICIAN SCALE

The Rice Lake 150-10-6 digital physician scale is designed with a modern appearance and features a waist-level digital display at just over four feet for ease of use. The large, stable scale base is both comfortable and easily transported with two built-in rubber wheels. The 150-10-6 can be powered from an optional AC adapter or standard alkaline batteries. Its large push-button display lights up for simple viewing and an audible beep sounds at the end of each weigh cycle.



### FEATURES

- Large push-button LCD display
- Antimicrobial keypad
- Large, stable scale base
- Rubber wheels for easy transport
- Non-slip rubber mat, removable for cleaning
- Unit of measure toggle or locking
- Motiontrap™ movement compensation technology
- EMR capable
- Serial and USB data communication ports
- Bluetooth® BLE 4.0 available, part number selectable
- Hold function
- Zero function
- BMI (body mass index) function
- Factory calibrated

### SPECIFICATIONS

**Capacity:**

550 × 0.2 lb (250 × 0.1 kg)

**Platform Dimensions:**

(L × W × H)

14.70 × 14.70 × 3.00 in

**Power:**

9 VDC, provided by six AA alkaline batteries (included) or AC adapter (optional)

**Battery Type:**

Six AA alkaline (included)

**Battery Use:**

25 hours continuous use with batteries  
Automatic power-off can be configured

**Display:**

5-digit LCD display, 0.75 in (1.9 cm) digit height

**Temperature:**

Operating:  
50 °F to 104 °F (10 °C to 40 °C)

**Approvals:**

c-Met, E113986

**Warranty:**

Two-year limited





## DIGITAL PHYSICIAN SCALE - WAIST-LEVEL

MODEL	CAPACITY	COMMUNICATION	PART #
150-10-6	550 x 0.2lb (250 x 0.1 kg)	USB	161786
150-10-6BLE	550 x 0.2lb (250 x 0.1 kg)	Bluetooth® BLE 4.0	194732

## OPTIONS

DESCRIPTION	PART #
9 VDC adapter, 120 V/230 V auto switching c-MET* Medical grade power supply	115655
9 VDC adapter, 120 V/230 V auto switching*	133077
9 VDC adapter, 230 V**	102508
Epson TM-U220 tape printer	81076
Cable, RS232 scale to printer, 6 ft, 25-pin D-Sub (male) to RJ45	186830
Cable, USB 6 ft USB-A (male) to USB-B (male)	79074
Cable, Communication DB9 (female) to RJ45 (male), 4 conductor	217091

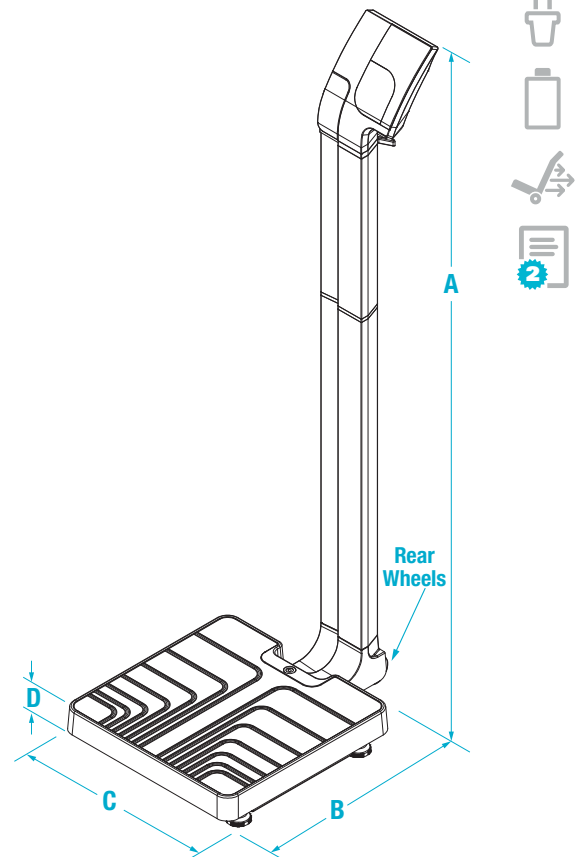
\*NEMA 1-15 Plug  \*\*CEE 7/16 Plug 

## SHIPPING WEIGHT

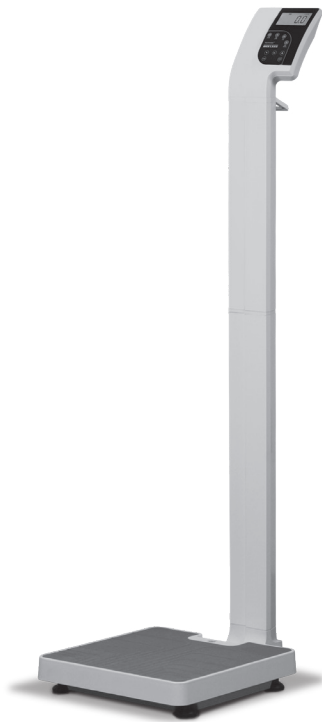
MODEL #	PART #	L (IN)	W (IN)	H (IN)	PACKAGE WGT. (LB)	DIM WGT. (LB)	SHIPPING WGT. (LB)
150-10-6	161786	30	19	9	25	37	37
150-10-6BLE	194732	30	19	9	25	37	37

## DIMENSIONS

	INCHES	CENTIMETERS		INCHES	CENTIMETERS
<b>A</b>	48.40	123.0	<b>C</b>	14.70	37.5
<b>B</b>	22.40	56.9	<b>D</b>	3.00	7.6

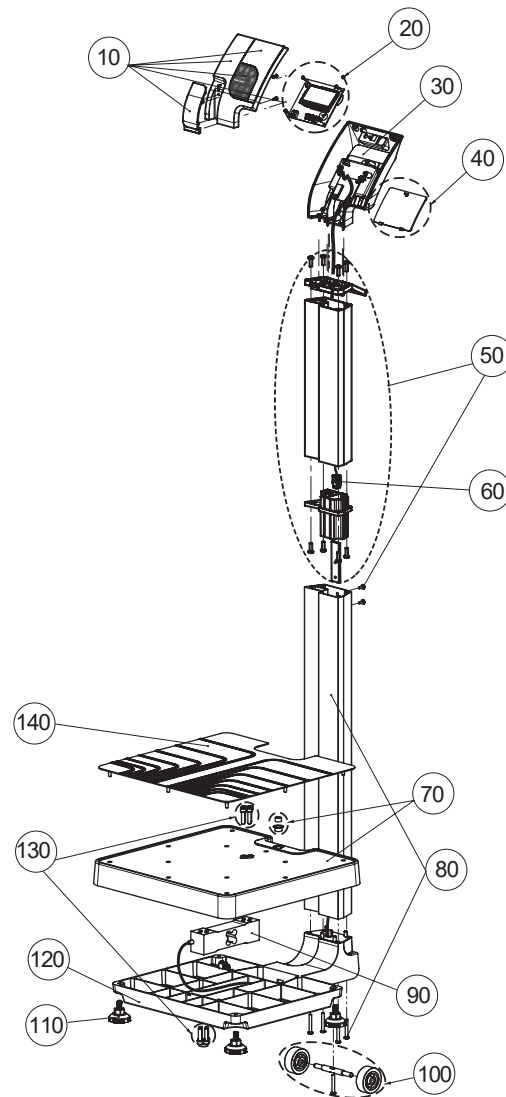


DIGITAL PHYSICIAN SCALE  
**Rice Lake 150-10-6**  
 Waist Level



**Part Number/Price**

Ref#	Part#	Description	Price
10	164311	Display with Rice Lake keypad (no height rod)	Consult
20	164313	PCB with PARMED1 software	Consult
20	224039	PCB BLE	Consult
30	164314	Back cover	Consult
30	224040	Back cover BLE mount	Consult
40	217137	Battery cover	Consult
50	164308	Pillar, top short	Consult
60	217150	Cable	Consult
70	164320	Platform	Consult
80	164307	Pillar	Consult
90	217128	Load cell with square female Molex connector	Consult
100	164305	Wheel kit	Consult
110	164299	Feet (4)	Consult
120	217127	Base	Consult
130	164304	Hardware, kit for load cell	Consult
140	164301	Silicone mat	Consult



Medical Scales