

FLOOR-LEVEL

# 150-10-7

## DIGITAL PHYSICIAN SCALE

The Rice Lake 150-10-7 digital physician scale provides precision weight measurements up to 550 pounds. The large, stable scale base is both comfortable and easily transported with an optional carrying case. Whether powered from an optional AC adapter or standard alkaline batteries, the 150-10-7 is easy to use. Its large push-button display lights up for easy viewing and an audible beep sounds at the end of each weigh cycle.

### FEATURES

- Large push-button LCD display
- Antimicrobial keypad
- Large, stable scale base
- Non-slip rubber mat, removable for cleaning
- Unit of measure toggle or locking
- Motiontrap™ movement compensation technology
- EMR capable
- Serial and USB data communication ports
- Bluetooth® BLE 4.0 available, part number selectable
- Hold function
- Zero function
- BMI (body mass index) function
- Factory calibrated

### SPECIFICATIONS

**Capacity:**

550 × 0.2 lb (250 × 0.1 kg)

**Platform Dimensions:**

(L × W × H)

14.70 × 14.70 × 3.00 in

**Power:**

9 VDC, provided by six AA alkaline batteries (included) or AC adapter (optional)

**Battery Type:**

Six AA alkaline (included)

**Battery Use:**

25 hours continuous use with batteries  
Automatic power-off can be configured

**Display:**

5-digit LCD display, 0.75 in (1.9 cm) digit height

**Cable Length:**

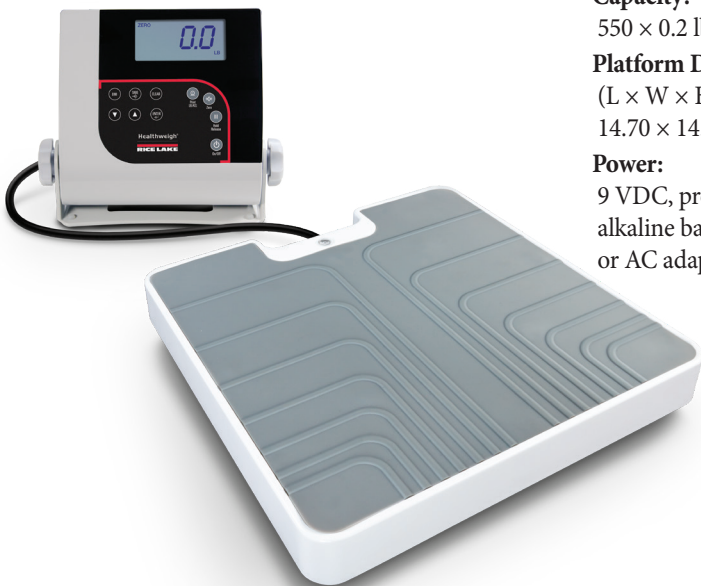
6 ft (1.8 m) cable between scale base and indicator

**Temperature:**

Operating:  
50 °F to 104 °F (10 °C to 40 °C)

**Warranty:**

Two-year limited





## DIGITAL PHYSICIAN SCALE - FLOOR-LEVEL

MODEL	CAPACITY	COMMUNICATION	PART #
150-10-7	550 × 0.2lb (250 × 0.1 kg)	USB	121304
150-10-7BLE	550 × 0.2lb (250 × 0.1 kg)	Bluetooth® BLE 4.0	194728

## OPTIONS

DESCRIPTION	PART #
Carrying case	107445
9 VDC adapter, 120 V/230 V auto switching c-MET* <i>Medical grade power supply</i>	115655
9 VDC adapter, 120 V/230 V auto switching*	133077
9 VDC adapter, 230 V**	102508
Epson TM-U220 tape printer	81076
Cable, RS232 scale to printer, 6 ft, 25-pin D-Sub (male) to RJ45	186830
Cable, USB 6 ft USB-A (male) to USB-B (male)	79074
Cable, Communication DB9 (female) to RJ45 (male), 4 conductor	217091

\*NEMA 1-15 Plug  \*\*CEE 7/16 Plug 

## SHIPPING WEIGHT

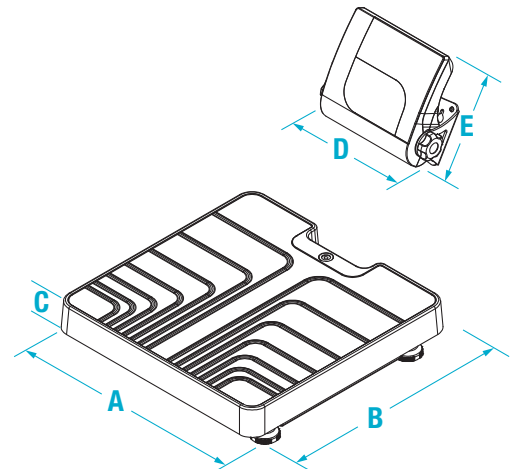
MODEL #	PART #	L (IN)	W (IN)	H (IN)	PACKAGE WGT. (LB)	DIM WGT. (LB)	SHIPPING WGT. (LB)
150-10-7	121304	25	18	6	17	20	20
150-10-7BLE	194728	25	18	6	17	20	20

## DIMENSIONS

	INCHES	CENTIMETERS	INCHES	CENTIMETERS
<b>A</b>	14.70	37.5	<b>D</b>	7.80
<b>B</b>	14.70	37.5	<b>E</b>	6.70
<b>C</b>	3.00	7.6		



Optional carrying case



MEDICAL SCALES

# Medical Indicator, Titanium



## Part Number/Price

Ref#	Part#	Description	Price
	<b>131583</b>	Indicator	Consult
10	<b>164239</b>	Front, 150 indicator kit	Consult
20	<b>164240</b>	Hardware	Consult
30	<b>164241</b>	Circuit	Consult
	<b>204810</b>	Circuit with Bluetooth 2.0	Consult
	<b>204811</b>	Circuit with BLE	Consult
40	<b>164242</b>	Back panel	Consult
50	<b>164243</b>	Table	Consult
60	<b>164247</b>	Back cover	Consult
70	<b>164248</b>	Cover	Consult
	<b>133077</b>	Power supply, A/C adapter	Consult

Medical Scales

