

medical scales

digital **chair** scale



model 550-10



RICE LAKE[®]
HEALTH SOLUTIONS

To be the best by every measure[®]

digital chair scale

RICE LAKE DIGITAL CHAIR SCALE 550-10 The streamlined digital chair scale is designed for weighing those who find it difficult to stand. The smooth durable molded plastic seat is easy to clean, comfortable, and safe for weights up to 660 lb. Swing-up arms enable easy access from either side. Attached behind the backrest, the indicator is simple to use and easy to read. Movement-compensation technology eliminates inaccuracies caused by movement during weighing process. The sturdy enameled tubular steel frame features a flip-up footrest, and four heavy-duty casters for easy, quiet maneuvering.

Capacity	660 lb (300 kg)
Graduations	0.2 lb (0.1 kg)

Arm handles flip-up for easy access and exit.



550-10 Series Standard Features

Motiontrap
iiiiii

- Swing-up arm rests for easy access and exit
- Motiontrap™ (movement compensation technology)
- Four locking casters
- Large LCD display
- Lb/kg toggle key
- Unit of measure: lb only, kg only, lb/kg
- 6 "AA" alkaline batteries
- Low-battery indication/automatic power-off
- Tare function
- Reweigh function
- Hold function
- RS-232 or USB output
- BMI (body mass index) function
- Updatable firmware
- Extended footrest

Options

- AC Adaptor

Warranty

Two-year limited warranty

RICE LAKE
HEALTH SOLUTIONS

To be the best by every measure®

17-INCH-WIDE
SEAT

550-10-1

DIGITAL CHAIR SCALE

The Rice Lake 550-10-1 digital chair scale is designed for patients who find it difficult to, or cannot, stand. The molded plastic seat is easy to clean, comfortable and safe up to 660 pounds. Swing-up arms enable easy access from either side, and a flip-up footrest can be used for additional patient comfort. A large push-button display lights up for easy viewing and an audible beep sounds at the end of each weigh cycle.



FEATURES

- Large LCD display
- Antimicrobial keypad
- Enameled tubular steel frame
- Four heavy-duty locking caster wheels
- Swing-up arms
- Flip-up footrest
- Motiontrap™ movement compensation technology
- Unit of measure toggle or locking
- EMR capable
- Serial and USB data communication ports
- Bluetooth® BLE 4.0 available, part number selectable
- Tare function
- Hold function
- BMI (body mass index) function
- Factory calibrated

SPECIFICATIONS

Capacity:

660 × 0.2 lb (300 × 0.1 kg)

Power:

9 VDC, provided by six AA alkaline batteries (included) or AC adapter (optional)

Battery Type:

Six AA alkaline (included)

Battery Use:

25 hours continuous use with batteries
Automatic power-off can be configured

Display:

5-digit LCD display, 0.75 in (1.9 cm) digit height

Temperature:

Operating:
50 °F to 104 °F (10 °C to 40 °C)

Warranty:

Two-year limited






DIGITAL CHAIR SCALE

MODEL	CAPACITY	COMMUNICATION	PART #
550-10-1	660 × 0.2lb (300 × 0.1 kg)	USB	119114
550-10-1BLE	660 × 0.2lb (300 × 0.1 kg)	Bluetooth® BLE 4.0	194740

OPTIONS

DESCRIPTION	PART #
9 VDC adapter, 120 V/230 V auto switching c-MET* <i>Medical grade power supply</i>	115655
9 VDC adapter, 120 V/230 V auto switching*	133077
9 VDC adapter, 230 V**	102508
Epson TM-U220 tape printer	81076
Cable, RS232 scale to printer, 6 ft, 25-pin D-Sub (male) to RJ45	186830
Cable, USB 6 ft USB-A (male) to USB-B (male)	79074
Cable, Communication DB9 (female) to RJ45 (male), 4 conductor	217091

*NEMA 1-15 Plug 

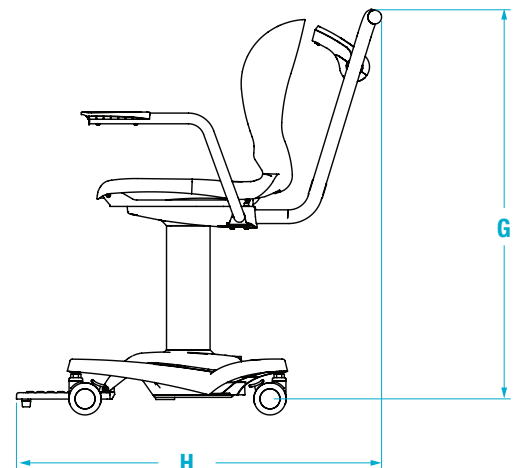
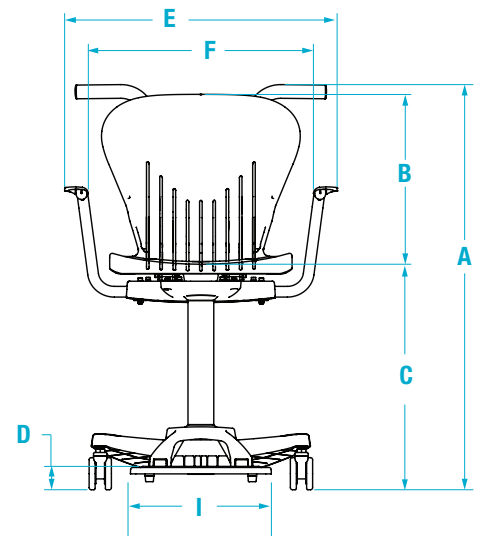
**CEE 7/16 Plug 

SHIPPING WEIGHT

MODEL #	PART #	L (IN)	W (IN)	H (IN)	PACKAGE WGT. (LB)	DIM WGT. (LB)	SHIPPING WGT. (LB)
550-10-1	119114	29	27	29	54	164	164
550-10-1BLE	194740	29	27	29	54	164	164

DIMENSIONS

	INCHES	CENTIMETERS		INCHES	CENTIMETERS
A	37.26	94.6	F	20.70	52.6
B	15.61	39.6	G	35.78	90.9
C	20.74	52.7	H	33.58	85.3
D	2.15	5.5	I	12.95	32.9
E	25.06	63.7			



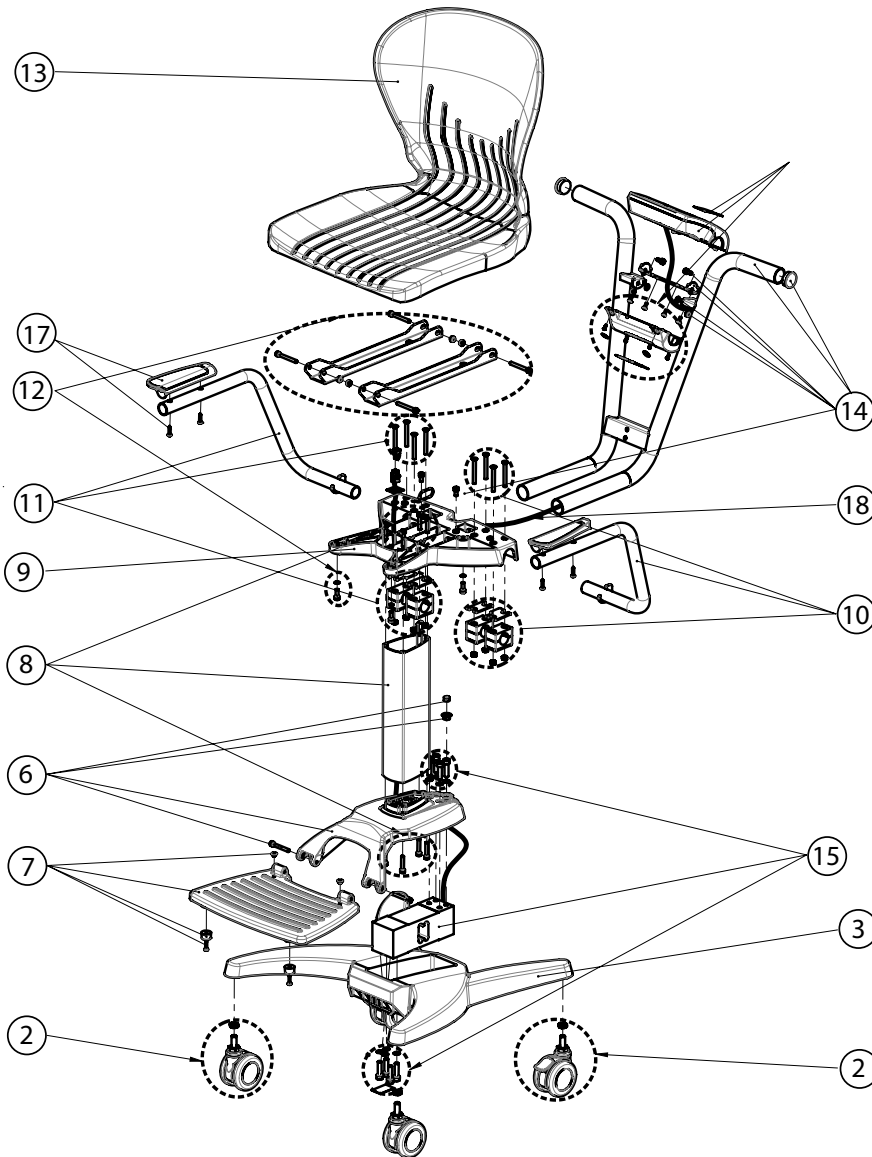
MEDICAL SCALES
550-10-1

Part Number/Price

Ref#	Part#	Description	Price
2	164326	Castor	Consult
3	164327	Base	Consult
6	164328	Base	Consult
7	164329	Footrest	Consult
8	164330	Base	Consult
9	164331	Adapter	Consult
10	164332	Left arm	Consult
11	164333	Right arm	Consult
12	164334	Bracket	Consult
13	164324	Seat	Consult
14	164335	Handle	Consult
15	164336	Load cell and mounting screws	Consult
17	164337	Handles	Consult
18	164338	Cable	Consult



Medical Scales



MEDICAL SCALES

Medical Indicator, Titanium



Part Number/Price

Ref#	Part#	Description	Price
	131583	Indicator	Consult
10	164239	Front, 150 indicator kit	Consult
20	164240	Hardware	Consult
30	164241	Circuit	Consult
	204810	Circuit with Bluetooth 2.0	Consult
	204811	Circuit with BLE	Consult
40	164242	Back panel	Consult
50	164243	Table	Consult
60	164247	Back cover	Consult
70	164248	Cover	Consult
	133077	Power supply, A/C adapter	Consult

Medical Scales

