

560-10  
digital **chair** scale



**RICE LAKE**<sup>®</sup>  
WEIGHING SYSTEMS  
To be the best by every measure<sup>®</sup>

## 560-10 digital chair scale

RICE LAKE'S 560 DIGITAL CHAIR SCALE is efficiently designed for accurate and repeatable measurements for patients who find it difficult to walk or stand. Two armrests and two footrests can be lifted separately, ensuring easy patient access. With four swivel caster wheels, including two rear locking wheels, the 560 digital chair scale allows health care professionals to quietly and effortlessly bring the scale to the patient. Attached behind the back rest, the weight indicator is simple to use and easy to read. Movement compensation technology eliminates inaccuracies caused by movement during the weighing process.

<b>Capacity</b>	660 lb (300 kg)
<b>Graduations</b>	0.2 lb (0.1 kg)



Two rear-locking caster wheels help maintain a stationary position to ensure a safe weighing process.



Arm handles and footrests lift up for easy access and exit.

### 560 Series Standard Features



- Swing-up arms for easy access and exit
- Extended footrest
- Two rear-locking caster wheels
- Motiontrap™ (movement compensation technology)
- Large, LCD display
- Units of measure buttons include: lb only, kg only, lb/kg
- AA battery operated
- Low-battery indication/automatic power-off
- Tare function
- Reweigh function
- Hold function
- RS-232 or USB output
- BMI function
- Updatable firmware

### Options

- AC adapter

### Warranty

- Two-year limited warranty

20-INCH-WIDE  
SEAT

# 560-10-1

## DIGITAL CHAIR SCALE

The Rice Lake 560-10-1 digital chair scale is designed for patients who find it difficult to, or cannot, stand. Two armrests and two footrests can be lifted separately for convenient patient access. The 20-inch-wide molded plastic seat is easy to clean, comfortable and safe up to 660 pounds. A large push-button display lights up for easy viewing and an audible beep sounds at the end of each weigh cycle.

### FEATURES

- Large LCD display
- Enameled tubular steel frame
- Four heavy-duty caster wheels
- Swing-up arms
- Side-folding footrests
- Molded seat
- Motiontrap™ movement compensation technology
- Unit of measure toggle or locking
- EMR capable
- USB data communication port
- Tare function
- Hold function
- BMI (body mass index) function
- Factory calibrated

### SPECIFICATIONS

**Capacity:**  
660 × 0.2 lb (300 × 0.1 kg)

**Power:**  
9 VDC, provided by six AA alkaline batteries (included) or AC adapter (optional)

**Battery Type:**  
Six AA alkaline (included)

**Battery Use:**  
25 hours continuous use with batteries  
Automatic power-off can be configured

**Display:**  
5-digit LCD display, 0.75 in (1.9 cm) digit height

**Warranty:**  
Two-year limited





## DIGITAL CHAIR SCALE

MODEL	CAPACITY	COMMUNICATION	PART #
560-10-1	660 x 0.2lb (300 x 0.1kg)	USB	166644

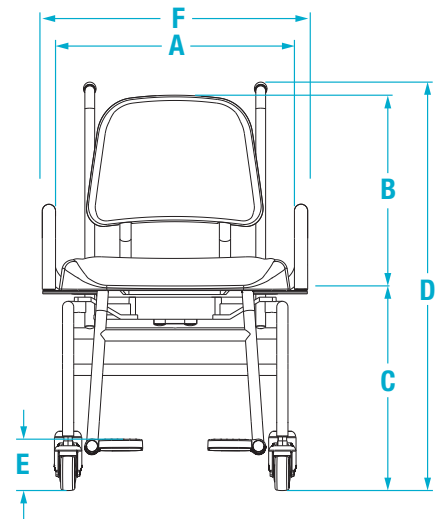
## OPTIONS

DESCRIPTION	PART #
9 VDC adaptor, 120 V/230V auto switching*	133077
9 VDC adaptor, 230 V**	102508
Epson TM-U220 tape printer	81076
Cable, RS232 scale to printer, 6 ft, 25-pin D-Sub (male) to RJ45	186830
Cable, USB 6 ft USB-A (male) to USB-B (male)	79074
Cable, Communication DB9 (female) to RJ45 (male), 4 conductor	217091

\*NEMA 1-15 Plug



\*\*CEE 7/16 Plug



## SHIPPING WEIGHT

MODEL #	PART #	L (IN)	W (IN)	H (IN)	PACKAGE WGT. (LB)	DIM WGT. (LB)	SHIPPING WGT. (LB)
560-10-1	166644	33	23	27	65	148	148

## DIMENSIONS

	INCHES	CENTIMETERS		INCHES	CENTIMETERS
<b>A</b>	20.10	51.1	<b>E</b>	5.90	15.0
<b>B</b>	17.30	44.0	<b>F</b>	21.50	54.6
<b>C</b>	20.10	51.1	<b>G</b>	34.60	88.0
<b>D</b>	36.40	92.5	<b>H</b>	42.90	109.0

