

FLOOR LEVEL WITH  
ATTACHED INDICATOR

# 150-10-8

## DIGITAL PHYSICIAN SCALE FLOOR-LEVEL



### FEATURES

- Large push-button LCD display
- Antimicrobial keypad
- Large, stable scale base
- Non-slip rubber mat, removable for cleaning
- Unit of measure toggle or locking
- Motiontrap™ movement compensation technology
- EMR capable
- USB or Bluetooth® BLE 4.0 available, part number selectable
- Hold function
- Zero function
- BMI (body mass index) function
- Factory calibrated

### SPECIFICATIONS

**Capacity:**  
550 × 0.2 lb (250 × 0.1 kg)

**Platform Dimensions:**  
(L × W × H)  
14.70 × 14.70 × 3.00 in

**Power:**  
9 VDC, provided by six AA alkaline batteries (included) or AC adapter (optional)

**Battery Type:**  
Six AA alkaline (included)

**Battery Use:**  
25 hours continuous use with batteries  
Automatic power-off can be configured

**Temperature:**  
Operating:  
50 °F to 104 °F (10 °C to 40 °C)

**Display:**  
5-digit LCD display, 0.75 in (1.9 cm) digit height

**Warranty:**  
Two-year limited





## DIGITAL PHYSICIAN SCALE - FLOOR-LEVEL

MODEL	CAPACITY	COMMUNICATION	PART #
150-10-8	550 × 0.2lb (250 × 0.1 kg)	USB	224055
150-10-8BLE	550 × 0.2lb (250 × 0.1 kg)	Bluetooth® BLE 4.0	224056

## OPTIONS

DESCRIPTION	PART #
9 VDC adapter, 120 V/230 V auto switching c-MET* <i>Medical grade power supply</i>	115655
9 VDC adapter, 120 V/230 V auto switching*	133077
9 VDC adapter, 230 V**	102508
Epson TM-U220 tape printer	81076
Cable, RS232 scale to printer, 6 ft, 25-pin D-Sub (male) to RJ45	186830

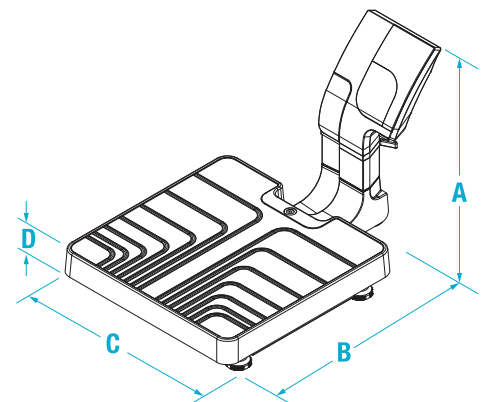
\*NEMA 1-15 Plug  \*\*CEE 7/16 Plug 

## SHIPPING WEIGHT

MODEL #	PART #	L (IN)	W (IN)	H (IN)	PACKAGE WGT. (LB)	DIM WGT. (LB)	SHIPPING WGT. (LB)
150-10-8	224055	12.7	22.4	14.7	25	37	37
150-10-8BLE	224056	12.7	22.4	14.7	25	37	37

## DIMENSIONS

	INCHES	CENTIMETERS		INCHES	CENTIMETERS
<b>A</b>	12.70	32.3	<b>C</b>	14.70	37.4
<b>B</b>	22.40	56.9	<b>D</b>	3.00	7.6

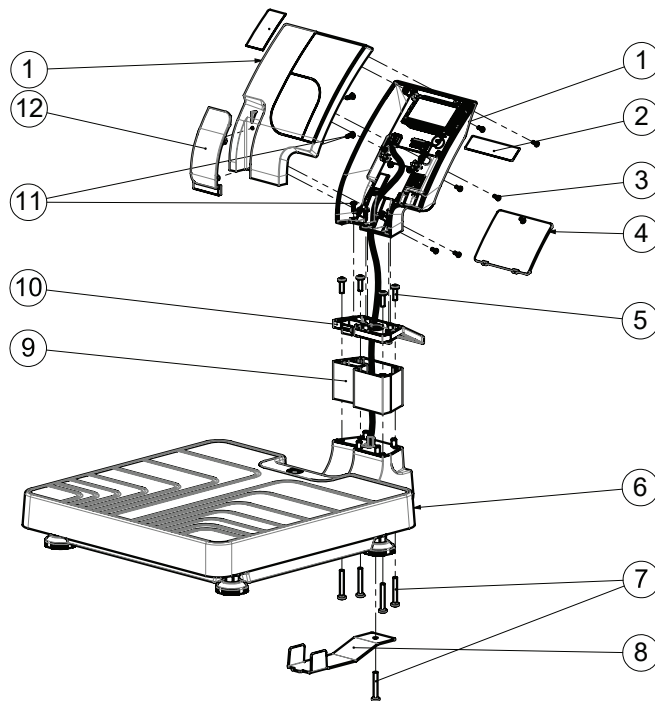


DIGITAL PHYSICIAN SCALE  
**Rice Lake 150-10-8**  
 Floor Level



**Part Number/Price**

Ref#	Part#	Description	Price
10	164311	Display with Rice Lake keypad (no height rod)	Consult
20	164313	PCB with PARMED1 software	Consult
20	224039	PCB BLE	Consult
30	164314	Back cover	Consult
30	224040	Back cover BLE mount	Consult
40	217137	Battery cover	Consult
50	164308	Pillar, top short (-6)	Consult
60	217150	Cable	Consult
70	164320	Platform	Consult
80	164307	Pillar	Consult
90	217128	Load cell with square female Molex connector	Consult
100	164305	Wheel kit	Consult
110	164299	Feet (4)	Consult
120	217127	Base	Consult
130	164304	Hardware, kit for load cell	Consult
140	164301	Silicone mat	Consult



Medical Scales