

handrail scale



model 260-10-1



## handrail scale

RICE LAKE'S 260-10-1 DIGITAL HANDRAIL SCALE is designed for patients who need extra support and safety during weighments. Motiontrap™ movement compensation technology eliminates errors caused by involuntary movements, providing a stable weight reading every time. Integrated wheels make it simple and effortless to move the scale between rooms, or in and out of storage. The 260-10-1 features 10 front panel keys for quick access to popular functions, including print, zero, hold and release, BMI and tare. The 260-10-1 is EMR capable and comes standard with an integrated USB port.

<b>Models</b>	<b>RL260-10-1</b>
<b>Capacity</b>	800lb (360kg)
<b>Graduations</b>	0.2lb (0.1kg)



### 260-10-1 Standard Features

- Platform dimensions: (L x W x H)  
23.5 in x 23.5 in x 2.75 in (60 cm x 60 cm x 7 cm)
- Handrails for extra support and safety
- Integrated wheels for portability ease
- Motiontrap™ (movement compensation technology)
- Large 1 in LCD display
- Low-battery indicator/automatic power-off
- BMI (body mass index) function
- Hold function
- Unit of measure: lb only, kg only, lb/kg
- EMR capable

### Options

- AC Adaptor
- Height Rod
- Allscripts® EHR connection



### Warranty

- Two-year limited warranty



# 260-10-1

## BARIATRIC HANDRAIL SCALE

Rice Lake's 260-10-1 bariatric scale with handrail is designed for weighing patients who need extra support and safety. Height and weight can be seamlessly captured with the optional integrated height rod. Advanced movement compensation technology eliminates errors caused by involuntary movement of unsteady patients. Two heavy-duty rear wheels make it simple and effortless to move and store.



### FEATURES

- Large LCD display
- Antimicrobial keypad
- Handrail for support and safety
- Two wheels for ease of portability
- Nonslip platform
- Unit of measure toggle or locking
- Motiontrap™ movement compensation technology
- EMR capable
- Tare function
- Hold function
- BMI (body mass index) function
- Factory calibrated
- Optional height rod can be installed on-site

### SPECIFICATIONS

**Capacity:**

800 × 0.2 lb (360 × 0.1 kg)

**Platform Dimensions:**

(L × W × H)  
23.50 x 23.50 x 2.75 in

**Optional Height Rod Dimensions:**

30 to 83.12 in (77 to 211 cm)

**Power:**

9 VDC, provided by six AA alkaline batteries (included) or AC adapter (optional)

**Battery Type:**

Six AA alkaline (included)

**Battery Use:**

25 hours continuous use with batteries  
Automatic power-off can be configured

**Display:**

5-digit LCD display, 0.75 in (1.9 cm) digit height

**Temperature:**

Operating:  
50 °F to 104 °F (10 °C to 40 °C)

**Warranty:**

Two-year limited



*Back wheels  
for easy transport*



## BARIATRIC HANDRAIL SCALE

MODEL	CAPACITY	COMMUNICATION	PART #
260-10-1	800 x 0.2lb (360 x 0.1 kg)	USB	170139

## OPTIONS

DESCRIPTION	PART #
9 VDC adapter, 120 V/230 V auto switching*	133077
9 VDC adapter, 230 V**	102508
Height rod 25.5-83 in (65-211 cm)	172958
Epson TM-U220 tape printer	81076
Cable, RS232 scale to printer, 6 ft, 25-pin D-Sub (male) to RJ45	186830
Cable, USB 6 ft USB-A (male) to USB-B (male)	79074
Cable, Communication DB9 (female) to RJ45 (male), 4 conductor	217091

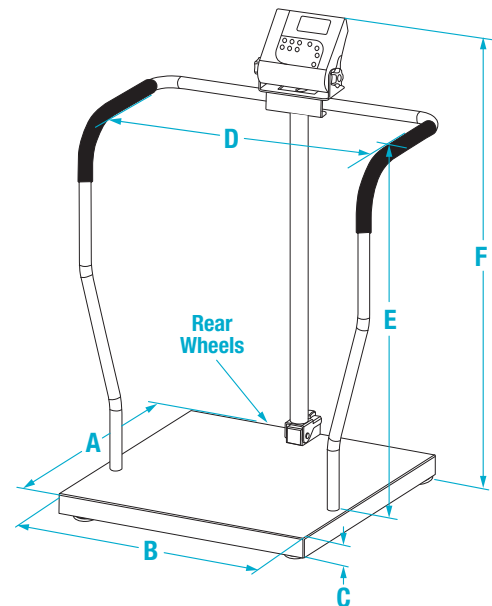
\*NEMA 1-15 Plug  \*\*CEE 7/16 Plug 

## SHIPPING WEIGHT

MODEL #	PART #	L (IN)	W (IN)	H (IN)	PACKAGE WGT. (LB)	DIM WGT. (LB)	SHIPPING WGT. (LB)
260-10-1	170139	40	40	10	58	116	116
Height Rod	172958	33	9	3	3	7	7

## DIMENSIONS

	INCHES	CENTIMETERS		INCHES	CENTIMETERS
<b>A</b>	23.50	59.7	<b>D</b>	25.50	64.8
<b>B</b>	23.50	59.7	<b>E</b>	33.50	85.1
<b>C</b>	2.75	7.0	<b>F</b>	43.00	109.2



MEDICAL SCALES  
**260-10-1**



**Part Number/Price**

Ref#	Part#	Description	Price
	<b>195888</b>	Wheels (set of 2)	Consult
	<b>201842</b>	Set of feet (4)	Consult
	<b>213224</b>	Scale to indicator signal cable	Consult

Medical Scales