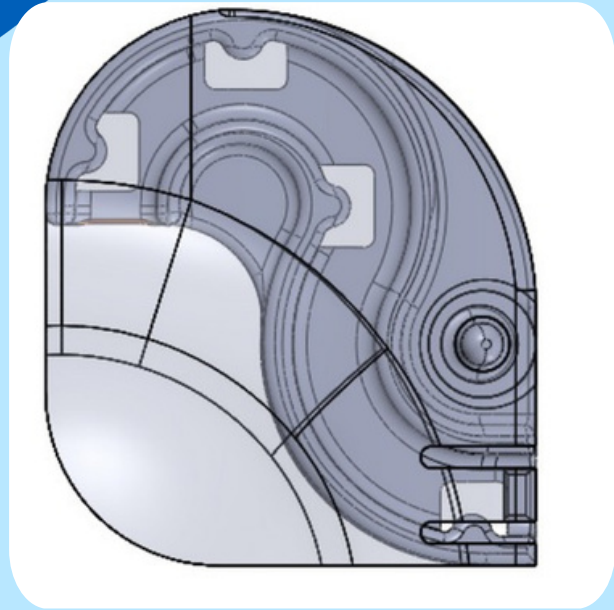




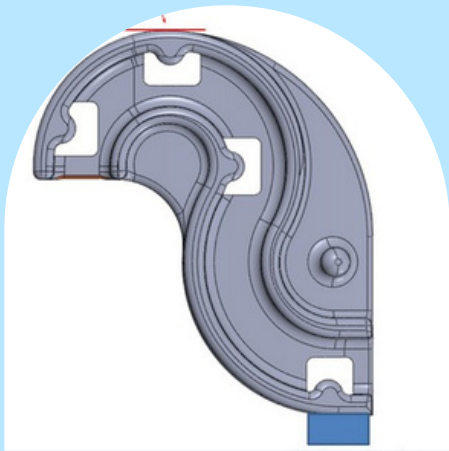
MINI

IV SECUREMENT FOR NEONATAL

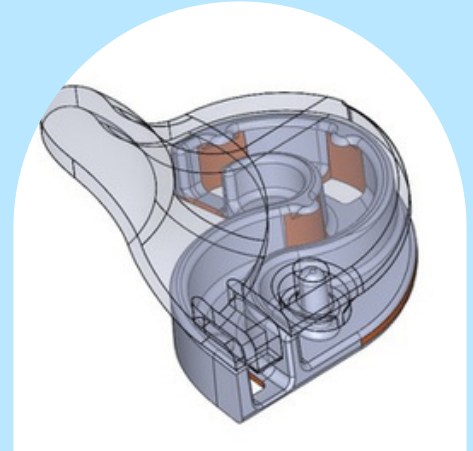
The IV Glove **Neonatal Model** is **specifically designed to meet the unique challenges** of IV securement **for children, neonates and adults.** This version features a compactness that **prioritises comfort and safety.**



*RENDERINGS



*DEVICE IS CLEAR



DESIGN & FUNCTION

Tailored specifically for neonatal and pediatric patients, offering gentle yet secure IV stabilization to reduce the risk of skin irritation and accidental dislodgement.

INNOVATIVE SAFETY FEATURES

Incorporates soft, medical-grade materials and a smaller profile to ensure comfort and safety for the most vulnerable patients.

CLINICAL EFFICENCY

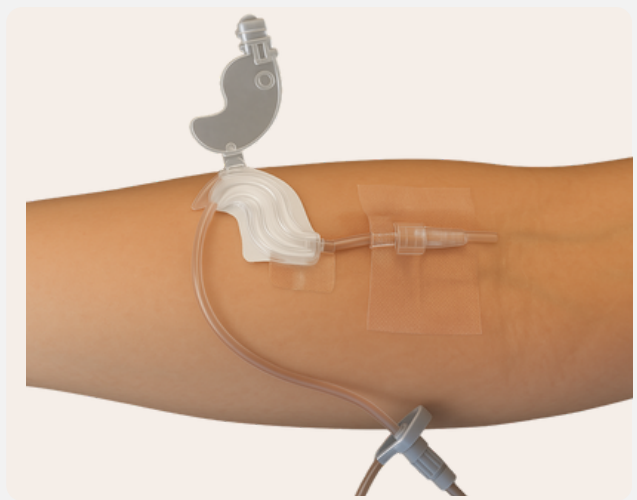
Simplifies IV management for neonatal care teams, providing reliable securement while allowing easy access for monitoring and adjustments.

MINI

*THE MINI IS A ONE-OF-A-KIND,
SINGLE-USE PERIPHERAL IV
SECUREMENT SYSTEM.*

PRODUCT DESCRIPTION

The IV Glove MINI is our latest innovation in IV securement, a streamlined, strapless device designed for universal use. Combining a compact clip with medical-grade adhesive, the MINI offers reliable IV stabilization without the need for straps or larger apparatus.



PRODUCT FEATURES

- ✓ Time-Efficient Application
- ✓ Disposable IV Securing System
- ✓ Single Use Disposable
- ✓ Transparent Shield

- ✓ Fits to all major IV's
- ✓ Patented S-Clip Mechanism
- ✓ Enhanced Patient Comfort
- ✓ Reduced Dislodgement Risk
- ✓ Versatile Use Cases