

# AFZ2PVBIADADL2B



32" x 19.75" x 22.63" (H x W x D)

Performance series Pharma-Vac 2.47 cu.ft. ADA height purpose-built vaccine storage freezer designed for recessed or freestanding installation, with a NIST calibrated temperature logger (DDL)

### Highlights:

- NIST calibrated DDL included for accurate temperature logging
- Sized just under 32" high to fit under lower ADA compliant counters
- Intelligent microprocessor digital temperature controller

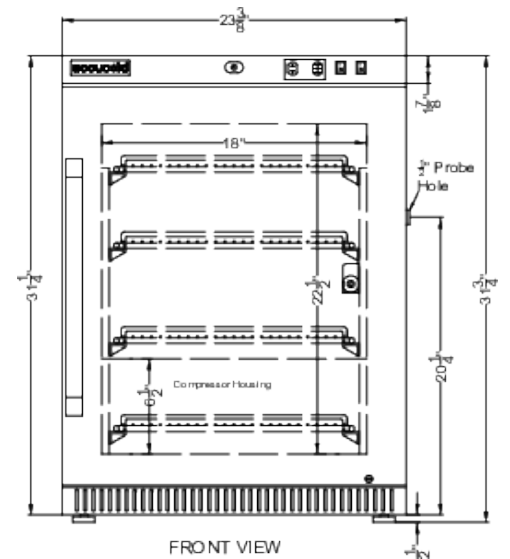
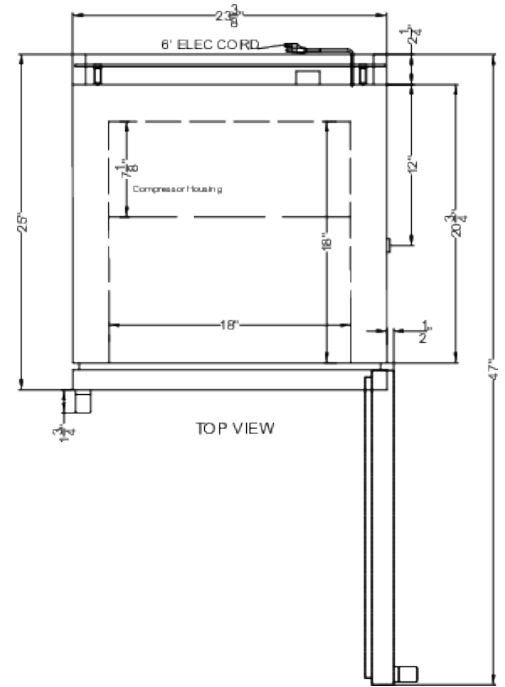
### Product Features:

Performance Series freezer	Purpose-built all-freezer for vaccine storage in medical, pharmaceutical, and life science applications
Purpose-built design	Designed and purpose-built for pharmacy, medication, and vaccine applications to support meeting CDC/VFC/VFA guidelines
ADA Compliant	Just under 32" tall designed to fit under ADA compliant counters
Digital data logger (DDL) included	Accucold DL2B data logger is NIST calibrated in our ISO/IEC 17025:2017 laboratory, with user-set logging intervals, a large LCD readout of the current and high/low temperature, and virtually unlimited storage through internal memory and a convenient USB drive; for additional information on this logger's features, view the DL2BKit on our website
Recessed or freestanding use	Versatile design allows recessed installation under counters or freestanding use
+/-1°C Variation	The published temperature variation is derived from the maximum deviation of an NTC sensor in a 1 oz. vial located nearest the chamber geometric center during a 24 hour test period
Commercial design	Meets UL-471 commercial standards
Adjustable temperature	Intuitive controls let you adjust the interior temperature between -30°C to -10°C
Temperature alarm	Visual and audible alarms alert if the interior temperature rises or falls out of set range

## AF22PVBIADADL2B Specifications:

Overview	
Nominal Height	32.0" (81 cm)
Height of Cabinet	32.0" (81 cm)
Nominal Width	20.0" (51 cm)
Width	19.75" (50 cm)
Width with Door Open	20.25" (51 cm)
Nominal Depth	23.0" (58 cm)
Depth	22.63" (57 cm)
Depth with Handle	24.38" (62 cm)
Depth with door at 90°	41.25" (105 cm)
Capacity	2.47 cu.ft. (70 L)
Defrost Type	Manual
Door	White
Cabinet	White
US Electrical Safety	ETL
Canadian Electrical Safety	ETL-C
Amps	1.3
Voltage/Frequency	115 V AC/60 Hz
Weight	99.0 lbs. (45 kg)
Parts & Labor Warranty	2 Years
Compressor Warranty	5 Years
UPC	761101104034
Freezer	
Door Swing	RHD
Reversible	Factory Reversible
Interior Height	22.0" (56 cm)
Interior Width	14.25" (36 cm)
Interior Depth	15.5" (39 cm)
Shelf Type	Wire
Shelf Qty	4
Adjustable Shelves	Yes
Thermostat Type	Digital
Interior Light	Yes
Refrigerant Type	R290
Refrigerant Amount	1.31 oz.
High Side PSI	280.0
Low Side PSI	130.0
Compressor Step Height	6.13" (16 cm)

Compressor Step Width	14.25" (36 cm)
Compressor Step Depth	7.5" (19 cm)
Temperature Range	-30 to -10°C



# AFZ2PVBIADADL2BLHD



32" x 19.75" x 22.63" (H x W x D)

Performance series Pharma-Vac 2.47 cu.ft. ADA height purpose-built vaccine storage freezer designed for recessed or freestanding installation, with a NIST calibrated temperature logger (DDL)

### Highlights:

- NIST calibrated DDL included for accurate temperature logging
- Sized just under 32" high to fit under lower ADA compliant counters
- Intelligent microprocessor digital temperature controller

### Product Features:

Performance Series freezer	Purpose-built all-freezer for vaccine storage in medical, pharmaceutical, and life science applications
Purpose-built design	Designed and purpose-built for pharmacy, medication, and vaccine applications to support meeting CDC/VFC/VFA guidelines
ADA Compliant	Just under 32" tall designed to fit under ADA compliant counters
Digital data logger (DDL) included	Accucold DL2B data logger is NIST calibrated in our ISO/IEC 17025:2017 laboratory, with user-set logging intervals, a large LCD readout of the current and high/low temperature, and virtually unlimited storage through internal memory and a convenient USB drive; for additional information on this logger's features, view the DL2BKit on our website
Recessed or freestanding use	Versatile design allows recessed installation under counters or freestanding use
+/-1°C Variation	The published temperature variation is derived from the maximum deviation of an NTC sensor in a 1 oz. vial located nearest the chamber geometric center during a 24 hour test period
Commercial design	Meets UL-471 commercial standards
Adjustable temperature	Intuitive controls let you adjust the interior temperature between -30°C to -10°C
Temperature alarm	Visual and audible alarms alert if the interior temperature rises or falls out of set range

## AFZ2PVBIADADL2BLHD Specifications:

Overview	
Nominal Height	32.0" (81 cm)
Height of Cabinet	32.0" (81 cm)
Nominal Width	20.0" (51 cm)
Width	19.75" (50 cm)
Width with Door Open	20.25" (51 cm)
Nominal Depth	23.0" (58 cm)
Depth	22.63" (57 cm)
Depth with Handle	24.38" (62 cm)
Depth with door at 90°	41.25" (105 cm)
Capacity	2.47 cu.ft. (70 L)
Defrost Type	Manual
Door	White
Cabinet	White
US Electrical Safety	ETL
Canadian Electrical Safety	ETL-C
Amps	1.3
Voltage/Frequency	115 V AC/60 Hz
Weight	99.0 lbs. (45 kg)
Parts & Labor Warranty	2 Years
Compressor Warranty	5 Years
UPC	761101104058
Freezer	
Door Swing	LHD
Reversible	No
Interior Height	22.0" (56 cm)
Interior Width	14.25" (36 cm)
Interior Depth	15.5" (39 cm)
Shelf Type	Wire
Shelf Qty	4
Adjustable Shelves	Yes
Thermostat Type	Digital
Interior Light	Yes
Refrigerant Type	R290
Refrigerant Amount	1.31 oz.
High Side PSI	280.0
Low Side PSI	130.0
Compressor Step Height	6.13" (16 cm)
Compressor Step Width	14.25" (36 cm)

Compressor Step Depth	7.5" (19 cm)
Temperature Range	-30 to -10°C

