

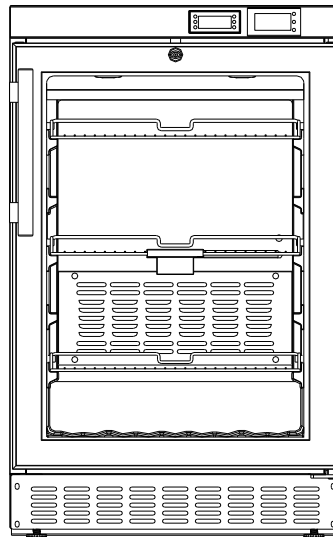
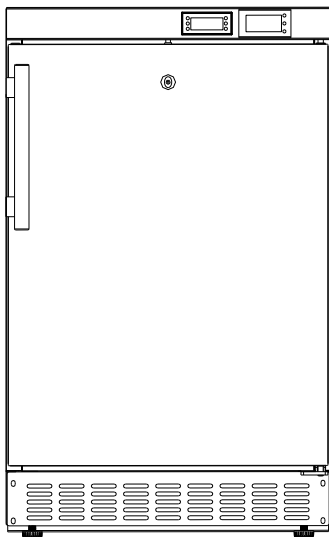


**FROST-FREE  
REFRIGERATOR and FREEZER**

**RÉFRIGÉRATEUR et CONGÉLATEUR SANS GIVRE**

**MODELS/ MODÈLES**

**Refrigerator/Réfrigérateur:   ACR45L / ACR46GL**  
**Freezer/ Congélateur:         ACF33L**



**INSTRUCTION MANUAL/ MANUEL D'INSTRUCTION**

**BEFORE USE, PLEASE READ AND FOLLOW ALL SAFETY RULES AND OPERATING INSTRUCTIONS.**

*Write Model and Serial Nos. (on lower left corner of inside cabinet) here:*

Model: \_\_\_\_\_

Serial: \_\_\_\_\_

# TABLE OF CONTENTS

<b>Appliance Safety</b>	<b>3</b>
<b>Important Safeguards</b>	<b>3-4</b>
<b>Location of Parts</b>	<b>5-6</b>
<b>Installation Instructions</b>	<b>7-9</b>
<i>Before Using your Appliance</i>	7
<i>Installation of your Appliance</i>	7
<i>Electrical Connection</i>	7-8
<i>Extension Cord</i>	8
<i>Reversing the Door Swing of your Appliance</i>	8
<i>Installing the Stainless Steel Handle</i>	9
<b>Operating your Appliance</b>	<b>9-13</b>
<i>Control Panel for ACR45L/ACR46GL</i>	9-10
<i>Control Panel for ACF33L</i>	10-11
<i>Temperature Memory Function</i>	11
<i>Defrosting</i>	11
<i>Using the Freezer ACF33L</i>	11
<i>Door Alarm</i>	12
<i>Door Lock</i>	12
<i>Shelves</i>	12
<i>Thermometer/Alarm</i>	12-13
<b>Care and Maintenance</b>	<b>14-15</b>
<i>Cleaning your Appliance</i>	14
<i>Power Failure</i>	14
<i>Vacations</i>	14
<i>Moving your Appliance</i>	14
<i>Energy-Saving Tips</i>	15
<i>How to Remove the Thermometer/Alarm</i>	15
<b>Troubleshooting</b>	<b>16-17</b>
<b>Limited Warranty</b>	<b>19</b>

# APPLIANCE SAFETY

Your safety and the safety of others are very important.

We have provided many important safety messages in this manual and on your appliance. Always read and obey all safety messages.



This is the Safety Alert Symbol. The symbol alerts you to potential hazards that can kill or injure you and others. All safety messages will follow the Safety Alert Symbol and either the word DANGER or WARNING.



DANGER means that failure to heed this safety statement may result in severe personal injury or death.



WARNING means that failure to heed this safety statement may result in extensive product damage, serious personal injury, or death.

All safety messages will alert you about the potential hazard, tell you how to reduce the chance of injury, and let you know what can happen if the instructions are not followed.

---

## IMPORTANT SAFEGUARDS



Before the appliance is used, it must be properly positioned and installed as described in this manual, so read the manual carefully. To reduce the risk of fire, electrical shock or injury when using the appliance, follow basic precautions, including the following:



- Plug into a grounded 3-prong outlet, do not remove grounding prong, do not use an adapter, and do not use an extension cord.
- Replace all panels before operating.
- It is recommended that a separate circuit serving only your appliance be provided. Use receptacles that cannot be turned off by a switch or pull chain.
- Never clean appliance parts with flammable fluids. These fumes can create a fire hazard or explosion. And do not store or use gasoline or other flammable vapors and liquids in the vicinity of this or any other appliance. The fumes can create a fire hazard or explosion.
- Do not connect or disconnect the electric plug when your hands are wet.
- Unplug the appliance or disconnect power before cleaning or servicing. Failure to do so can result in electrical shock or death.
- Do not attempt to repair or replace any part of your appliance unless it is specifically recommended in this manual. All other servicing should be referred to a qualified technician.
- This appliance is CFC- and HFC-free and contains small quantities of Isobutane (R600a) which is environmentally friendly, but flammable. It does not damage the ozone layer, nor does it increase the greenhouse effect. Care must be taken during transportation and setting up of the appliance that no parts of the cooling system are damaged. Leaking coolant can ignite and may damage the eyes.

- In the event of any damage:
  - Avoid open flames and anything that creates a spark,
  - Disconnect from the power supply,
  - Air the room in which the appliance is located for several minutes, and
  - Contact the Service Department for advice.
- The more coolant there is in an appliance, the larger the room it should be installed in. In the event of a leakage, if the appliance is in a small room, there is the danger of combustible gases building up. For every ounce of coolant at least 325 cubic feet of room space is required. The amount of coolant in the appliance is stated on the data plate inside the appliance. It is hazardous for anyone other than an Authorized Service Person to carry out servicing or repairs to this appliance.
- Take serious care when handling, moving and using the appliance to avoid either damaging the refrigerant tubing or increasing the risk of a leak.
- Replacing component parts and servicing shall be done by factory authorized service personnel, so as to minimize the risk of possible ignition due to incorrect parts or improper service.

 **WARNING**

FOLLOW WARNING CALLOUTS BELOW ONLY WHEN APPLICABLE TO YOUR MODEL

- Use two or more people to move and install appliance. Failure to do so can result in back or other injury.
- To ensure proper ventilation for your appliance, the front of the unit must be completely unobstructed. Choose a well-ventilated area with temperatures above 60°F (16°C) and below 90°F (32°C).
- The appliance should not be located next to ovens, grills or other sources of high heat.
- The appliance must be installed with all electrical, water and drain connections in accordance with state and local codes. A standard electrical supply (115 V AC only, 60 Hz), properly grounded in accordance with the National Electrical Code and local codes and ordinances, is required.
- Do not kink or pinch the power supply cord of the appliance.
- The size of the fuse (or circuit breaker) should be 15 amperes.
- It is important that the appliance be leveled in order to work properly. You may need to make several adjustments to level it.
- All installations must be in accordance with local plumbing code requirements.
- Make certain that the pipes are not pinched, kinked or damaged during installation.
- Check for leaks after connection.
- Never allow children to operate, play with or crawl inside the appliance.
- Do not use solvent-based cleaning agents or abrasives on the interior. These cleaners may damage or discolor the interior.
- Use this appliance only for its intended purpose as described in this *Instruction Manual*.
- Keep fingers out of the “pinch point” areas. Clearances between the door and cabinet are necessarily small. Be careful closing the door when children are in the area.

 **DANGER** 

***Risk of child entrapment!***

Child entrapment and suffocation are not problems of the past. Junked or abandoned appliances are still dangerous, even if they will “just sit for a few days”.

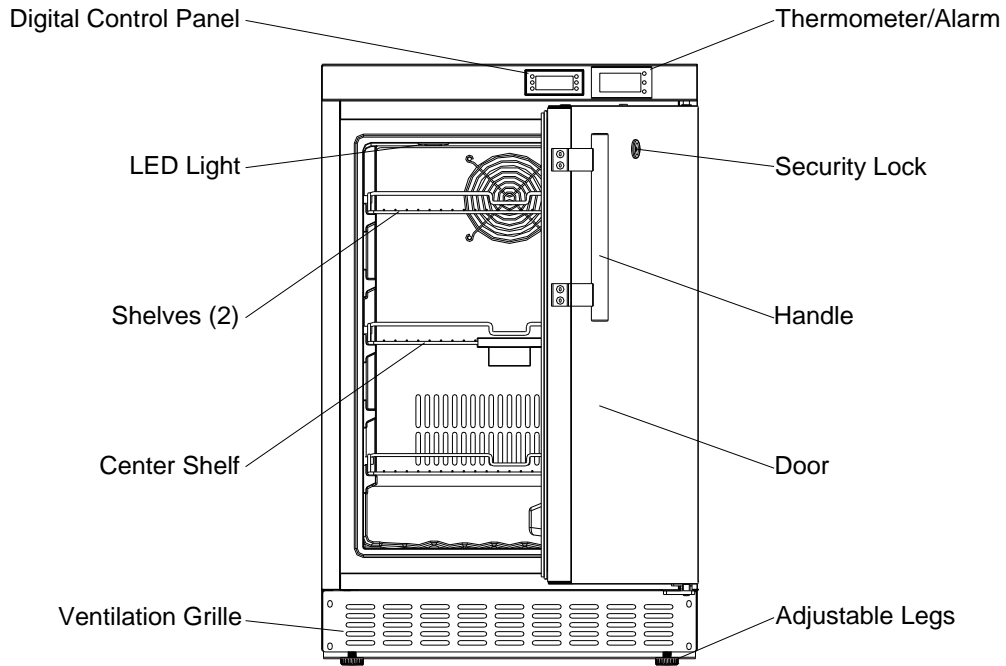
*Before discarding your old refrigerator:*

- *Take off the doors*
- *Leave the shelves in place so that children may not easily climb inside.*

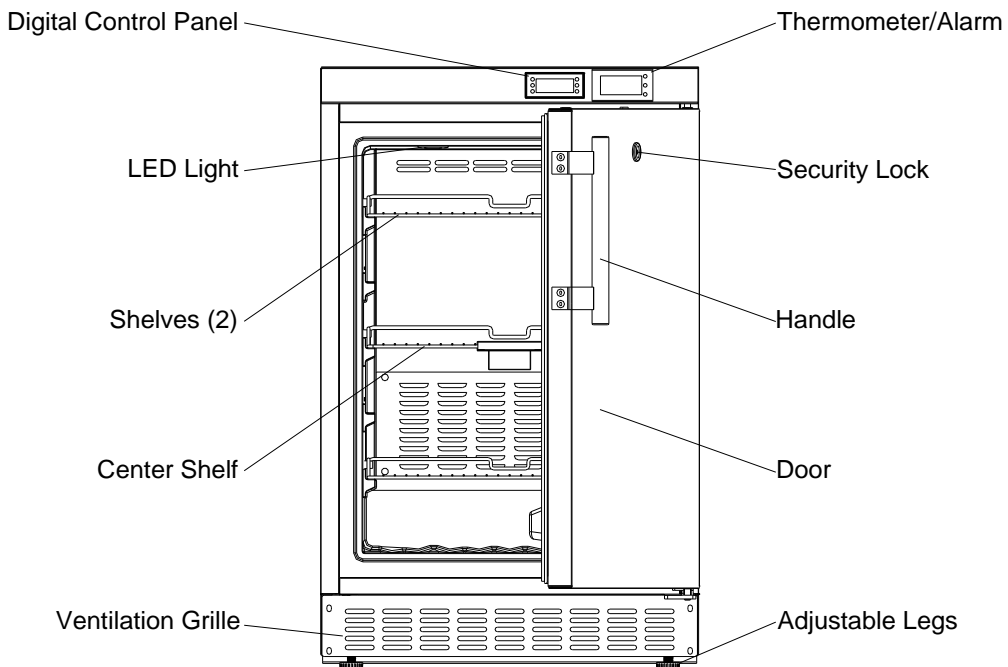
**- SAVE THESE INSTRUCTIONS -**

# LOCATION OF PARTS

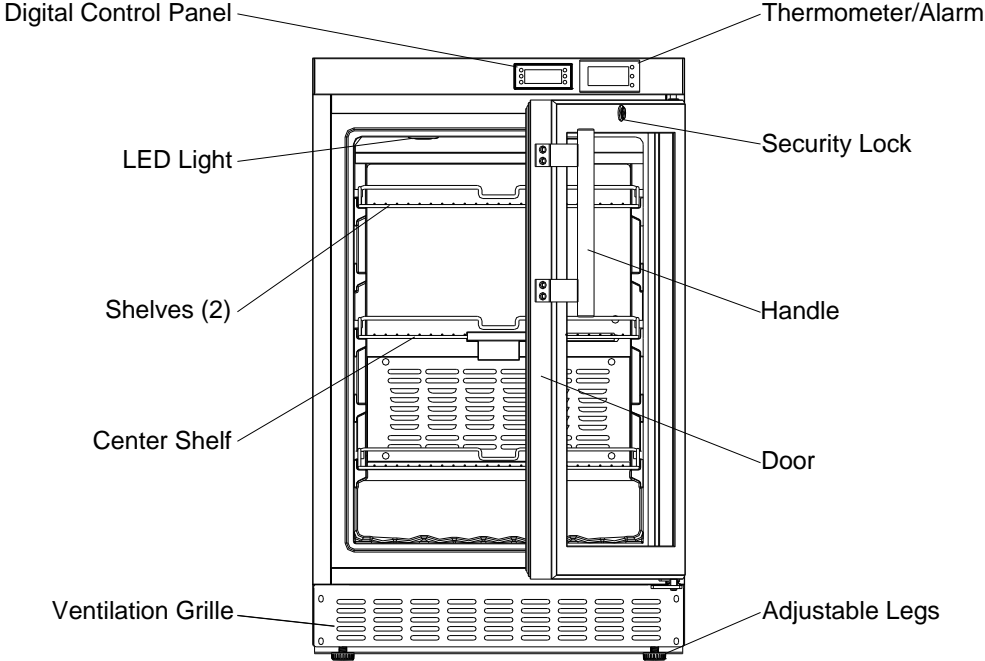
## MODEL ACR45L - FROST-FREE REFRIGERATOR



## MODEL ACF33L - FROST-FREE FREEZER



**MODEL ACR46GL - FROST-FREE REFRIGERATOR**



# INSTALLATION INSTRUCTIONS

## Before Using your Appliance

- Remove the exterior and interior packing.
- Before connecting the appliance to the power source, let it stand upright for approximately 2 hours. This will reduce the possibility of a malfunction in the cooling system from handling during transportation.
- Clean the interior surface with lukewarm water using a soft cloth.
- Install the handle on the door, if it is not already attached. (See page 8.)

## Installation of your Appliance

- The appliance is designed for built-in or recessed or free standing installation for indoor use only.
- Place your appliance on a floor that is strong enough to support it when it is fully loaded. To level the unit, adjust the front leveling legs.
- For free standing installation, 5" (127mm) of space between the back and sides of the unit, and 4" (102mm) at the top, are suggested, which allows the proper air circulation to cool the compressor and condenser. Even for built-in installation, it is a must to keep ¼" (6.35mm) space on each side and at the top and 2" (51mm) at the rear. Take care that the air vent at the front of the appliance is never covered or blocked in any way.

**NOTE:** It is recommended that you do not install the appliance near an oven, radiator or other heating source. Direct sunlight may affect the acrylic coating and heat sources may increase electrical consumption. Don't install in a location where the temperature will fall below 60°F (16°C). For best performance, do not install the appliance behind a cabinet door or block the base grille.

- Avoid locating the unit in moist areas.
- Plug the appliance into an exclusive, properly grounded wall outlet.

## Electrical Connection



### **WARNING**

Improper use of the grounded plug can result in the risk of electrical shock. If the power cord is damaged, have it replaced by a qualified electrician or an authorized service center.

This appliance should be properly grounded for your safety. The power cord of this appliance is equipped with a three-prong plug which mates with standard three-prong wall outlets to minimize the possibility of electrical shock.

Do not under any circumstances cut or remove the third (ground) prong from the power cord supplied. For personal safety, this appliance must be properly grounded. Any questions concerning power and/or grounding should be directed toward a certified electrician or an authorized service center.

This appliance requires a standard 115/120 Volt AC ~60Hz three-prong grounded electrical outlet. Have the wall outlet and circuit checked by a qualified electrician to make sure the outlet is properly grounded. When a standard 2-prong wall outlet is encountered, it is your responsibility and obligation to have it replaced with a properly grounded 3-prong wall outlet.

To prevent accidental injury, the cord should be secured behind the appliance and not left exposed or dangling.

The appliance should always be plugged into its own individual electrical outlet which has a voltage rating that matches the rating label on the appliance. This provides the best performance and also prevents overloading house wiring circuits that could cause a fire hazard from overheating.

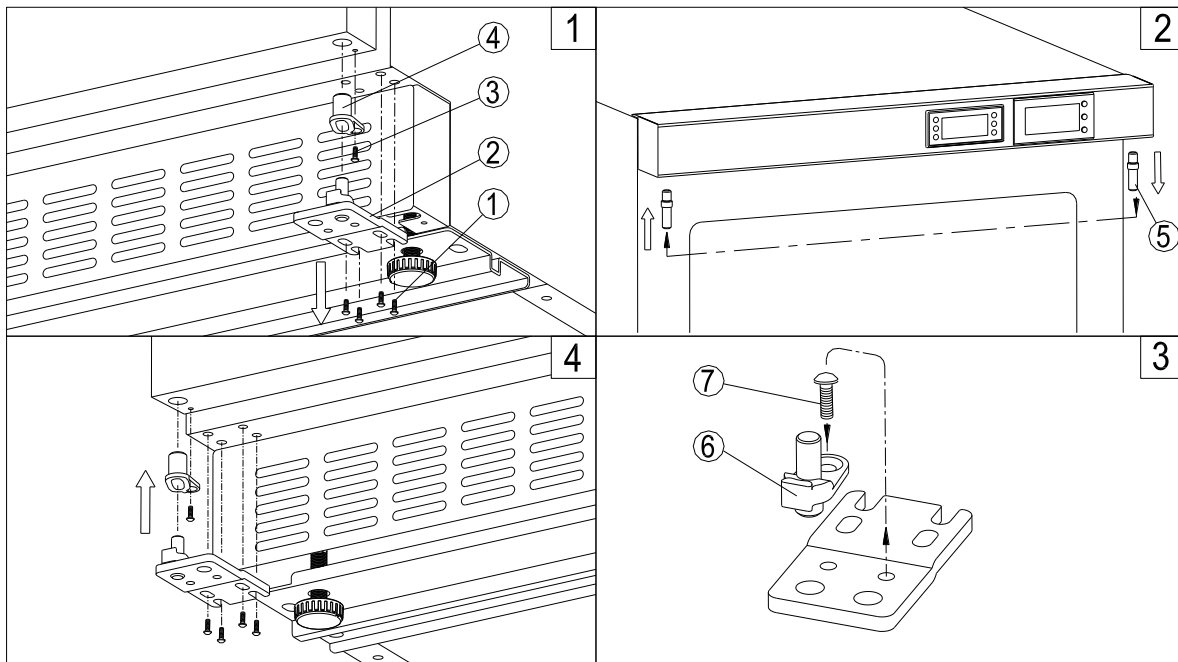
Never unplug the appliance by pulling on the power cord. Always grip the plug firmly and pull straight out from the receptacle. Repair or replace immediately all power cords that have become frayed or otherwise damaged. Do not use a cord that shows cracks or abrasion damage along its length or at either end. When moving the appliance, be careful not to damage the power cord.

## Extension Cord

Because of potential safety hazards under certain conditions, it is strongly recommended that you do not use an extension cord with this appliance. However, if you must use an extension cord, it is absolutely necessary that it be a UL/CUL-Listed, 3-wire grounding type appliance extension cord having a grounding type plug and outlet and that the electrical rating of the cord be 115 volts and at least 10 amperes.

## Reversing the Door Swing of your Appliance

This unit has the capability of the door opening from either the left or right side. The unit is delivered to you with the door opening from the left side. Should you desire to reverse the opening direction, please follow the reversal instructions shown below.



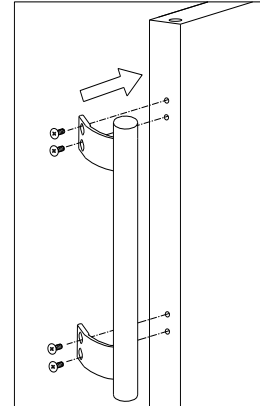
**NOTE:** All parts removed must be saved to allow the door swing to be reversed.

1. Remove the bottom hinge (2) by unscrewing the four lock screws (1). Be careful to hold the door firmly after removing the screws. (Fig. 1)
2. Gently pull down to remove the door from the right top hinge and place it on a padded surface to avoid the risk of damage. Then unscrew (3) and transfer the bottom hinge sleeve (4) to the opposite side. (Figs. 1 & 4)
3. Unscrew and transfer the top hinge pin (5) to the opposite side. (Fig. 2)
4. Unscrew (7) and transfer the bottom hinge pin (6) to the opposite side of the bottom hinge (2). (Fig. 3)
5. Relocate the door to the designated position. Then screw the bottom hinge on the left designated position and tighten it after the door is leveled. (Fig. 4)
6. Remove the handle from the left side of the door and install it on the right side. (See next section.)

## Installing the Handle

This appliance includes a handle that is not required to operate the unit. To install the handle, follow the instructions below:

1. Use a screwdriver to remove the screws on the side of door where the handle is to be installed.
2. Align the handle with the screws removed in step # 1. Tighten the screws using a Phillips head screwdriver until the handle is both flush and secured tightly against the door side. (DO NOT over-tighten as this will cause damage to the door surface.)



---


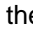
# OPERATING YOUR APPLIANCE

It is recommended you install the appliance in a place where the ambient temperature is between 72° and 78°F (23°-26°C). If the ambient temperature is above or below the recommended temperatures, the performance of the unit may be affected. For example, placing your unit in extremely cold or hot conditions may cause interior temperatures to fluctuate. The operating temperature range may not be reached.

## Control Panel for ACR45L / ACR46GL



### ON/OFF Power

- To turn the appliance off, press and hold the  key for 5 seconds until the temperature display goes off. To turn the appliance on, press and hold the  key for 1 second until the temperature display lights up.

**NOTE:** Pressing the POWER key once can switch off the audible alarm when the alarm is on.

### UP

- Used to increase (warm) the set temperature by 1°C/1°F.

### DOWN

- Used to decrease (cool) the set temperature by 1°C/1°F.

### °F/°C Selector

- Select the temperature display in Fahrenheit or Celsius degrees. To change the temperature from Fahrenheit to Celsius or from Celsius to Fahrenheit, press and hold the **LIGHT** key for 5 seconds.

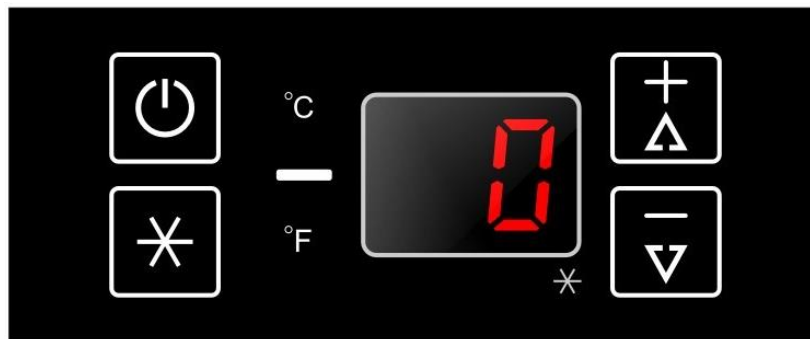
### Setting the Temperature Control

- You can set the temperature by pressing the **UP** and **DOWN** symbols. When you press either of the two buttons for the first time, the LED readout will show the original temperature set previously. (The temperature preset at the factory is 39°F or 4°C.)
- The temperature you are setting will increase by one degree each time you press the **UP** symbol, and will decrease by one degree each time you press the **DOWN** symbol.
- The range of set temperature settings is from 36°F to 43°F.
- The display always shows the SET temperature. The SET temperature will flash if the actual temperature deviates by more than 12°F from the SET temperature.



### Interior Light

- The interior light makes it easy to view your items. Pressing the **LIGHT** symbol toggles between 2 modes of operation for the internal lighting: functional (default) mode and showcase mode. If you are in functional (default) mode, the lights will turn on only when the door is open. If you are in showcase mode, the lights will be on whether or not the door is open.

### **Control Panel for ACF33L**



### ON/OFF Power

- To turn the appliance off, press and hold the  key for 5 seconds until the temperature display goes off.
- To turn the appliance on, press and hold the  key for 1 second until the temperature display lights up.

**NOTE:** Pressing the POWER key once can switch off the audible alarm when the alarm is on.

### SuperFreeze

- SuperFreeze is used to freeze the stored items quickly. The function overrides the thermostat control and will make the compressor operate continuously. It is not necessary to adjust the thermostat setting when using this function. When the function is selected, the SuperFreeze indicator (The dot at the bottom right of the display) will be ON. The function can be canceled by pressing the key again and the indicator will turn OFF. SuperFreeze will turn off automatically after 8 hours.

### UP

- Used to increase (warm) the set temperature by 1°C/1°F.

### DOWN

- Used to decrease (cool) the set temperature by 1°C/1°F.

### **°F/°C Selector**

- Select the temperature display setting in Fahrenheit or Celsius degree. To change the temperature from Fahrenheit to Celsius or from Celsius to Fahrenheit, press and hold the **SUPERFREEZE** key for 5 seconds.

### **Setting the Temperature Control**

- You can set the temperature by pressing the **UP** and **DOWN** keys. When you press either of the two keys for the first time, the LED readout will show the original temperature set previously. (The temperature preset at the factory is -4°F, or -20°C.)
- The temperature you are setting will increase by one degree each time you press the **UP** key, and will decrease by one degree each time you press the **DOWN** key.
- The range of the temperature settings is from -22°F to 11°F.
- The display always shows the SET temperature. The SET temperature will flash if the actual temperature deviates by more than 12°F from the SET temperature.

### **Interior Light**

The unit is equipped with an interior LED light which will be turned ON when the door is open.

#### **NOTES:**

- If the unit is unplugged, or power is lost or turned off, you must wait 5 minutes before restarting the unit. If you attempt to restart before this time delay, the unit will not start.
- When you use the unit for the first time or restart the unit after it has been shut off for a long time, there could be a few degrees variance between the temperature you select and the one indicated on the Alarm/Thermometer readout. This is normal and is due to the length of the activation time. There should not be a problem once the unit has been running for a few hours.

### **Temperature Memory Function**

- In the event of a power interruption (power surge, breaker switch, etc.), the unit can remember the previous temperature settings, and when the power is recovered, the cabinet temperature will return to the same setting temperature as before the power went off.

### **Defrosting**

- The unit defrosts automatically in normal operating conditions.
- The evaporator behind the rear wall of the unit defrosts automatically. The condensate collects in the drainage channel behind the rear wall of the unit, and flows through the drainage hole into the drip tray by the compressor where it evaporates.
- However, frost may accumulate on the evaporator if the unit is repeatedly opened in a high heat or high humidity location. If this frost pattern does not clear within 24 hours, your unit will require manual defrosting.

### **Using the Freezer for ACF33L**

- This unit is designed for the long-term storage of frozen items. It is also suitable for the storage of medicine and medical products that need to be stored frozen. Storage time is up to three months.
- The storage life of frozen foods varies and the recommended storage time should not be exceeded.
- Pre-packed commercially frozen food should be stored in accordance with the frozen foods manufacturer's instructions for a three star frozen food storage compartment or home freezer.
- Place frozen food into the freezer as quickly as possible after purchase. If there are instructions on the packet, carefully follow these instructions regarding storage times.

## Door Alarm

If the door has been left open for more than 60 seconds, the alarm will sound. Pressing the **POWER** key once or closing the door can switch off the audible alarm.

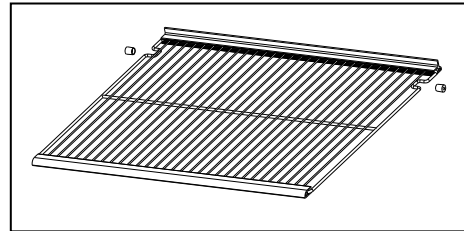
## Door Lock

Your unit is provided with a lock and key combination. The keys are located inside the plastic bag that contains the *Instruction Manual*. Insert the key into the lock and turn it counter-clockwise to unlock the door. To lock the door, do the reverse operation, making sure the metal pin is engaged completely. Remove the key and put it in a secure place for safekeeping.

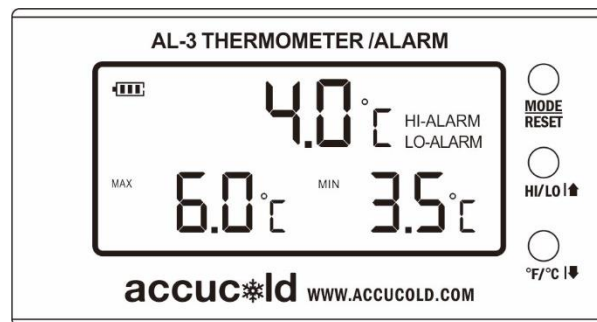
## Shelves

To prevent damaging the door gasket, make sure to have the door all the way open when pulling the shelves out of the rail compartment.

- The top and bottom shelves can be removed to store larger items.
- When removing a shelf from the rail compartment, make sure to remove all stored items first. Then move the shelf to the position where the notch of the shelf is exactly under the plastic post and lift the shelf. In order to replace the shelf, repeat steps described above in reverse.
- The center shelf is fixed in place and cannot be removed. This is because the glass bead filled bottle that contains the temperature sensor for your AL-3 Thermometer/Alarm is best stored in this location. The center of your refrigerator or freezer will provide the most accurate temperature readings. For proper temperature monitoring, keep the bottle in place and do not remove this shelf.



## AL-3 THERMOMETER / ALARM



- The unit is equipped with a Thermometer/Alarm that simultaneously displays minimum, maximum, and current interior temperatures and provides a visual and audible signal when the temperature inside the unit falls outside the set temperature range.
- The temperature sensor, or probe, is enclosed in a glass bead filled bottle that is stored inside your unit in a special shelving compartment.

## **Function of Controls**

- **MODE/RESET** Key: Press ONCE to reset Max/Min temperature record. When the unit is sounding an alarm, press ONCE to turn off the beeping sound.
- **HI/LO** Key: Press ONCE to display high alarm setting. Press TWICE to display low alarm setting. Press THREE TIMES to display current temperature reading.
- **°F/°C** Key: Press this button to change the temperature display scale from Fahrenheit (°F) to Celsius (°C).

## **Battery Installation**

Remove battery compartment cover located on the rear of the unit and remove insulation strip from battery compartment. Following the polarity (+/-) diagram in the battery compartment, install the battery. Replace the battery cover. The unit will beep and all segments of the LCD will be activated.

## **Programming the Alarms**

The thermometer displays the internal temperature of the unit being monitored, as well as the maximum and minimum temperatures reached. The maximum and minimum readings reflect the highest and lowest temperatures since the battery was inserted or since the MODE/RESET key was last pressed. If the temperature rises above or falls below the set temperature range, the alarm will sound. By default, the high alarm temperature setting is 8°C (46.4°F) and the low alarm temperature setting is 2°C (35.6°F). To reset these limits, follow these instructions:

- **High Alarm Temperature Setting:** Press the HI/LO key ONCE, then press MODE/RESET to enter the High Alarm temperature setting mode. Use the Up and Down arrows to adjust the temperature accordingly. Press MODE/RESET once again to confirm the setting.
- **Low Alarm Temperature Setting:** Press the HI/LO key TWICE, then press MODE/RESET to enter the Low Alarm temperature setting mode. Use the Up and Down arrows to adjust the temperature accordingly. Press MODE/RESET once to confirm the setting.
- By default, the low and high alarms should be audible. To turn alarms on/off:
- **Audible High Alarm Setting:** To make sure the high alarm is audible, press HI/LO key ONCE (to activate HI-SET on the screen). Then press the ALERT ON/OFF key ONCE to activate the HIGH-ALARM beeping sound. Press again to deactivate.
- **Audible Low Alarm Setting:** To make sure that the low temperature alarm is audible, press the HI/LO key TWICE to activate LOW-SET on the screen. Then press the ALERT ON/OFF key ONCE to activate the LOW-ALARM beeping sound. Press again to deactivate.

**NOTE:** Set high and low alarm temperature limits above and below the refrigerator/ freezer operating temperature to prevent false alarms. For operating temperature ranges, see *Setting the Temperature Control* on page 9 for refrigerator and 10 for freezer.

**NOTE:** For an activated high alarm and low alarm buzzer, the display should indicate HI-ALARM and LO-ALARM (see illustration on previous page).

**More details about the features and usage of the Thermometer/Alarm can be found in the User Manual accompanying the unit.**

# CARE AND MAINTENANCE

## Cleaning your Appliance

- Turn off the power, unplug the appliance, and remove all items, including shelves.
- Wash the inside surfaces with a solution of warm water and baking soda (about 2 tablespoons of baking soda to a quart of water).
- Wash the shelves with a mild detergent solution.
- Wring excess water out of the sponge or cloth when cleaning the area where the controls are located, or any electrical parts.
- Wash the outside cabinet with warm water and mild liquid detergent. Rinse well and wipe dry with a clean soft cloth.
- Use an approved stainless steel cleaner to clean the door and handle. Do not use steel wool or a steel brush on the stainless steel.

*CAUTION: Failure to unplug the appliance during cleaning could result in electrical shock or other personal injury.*

## Power Failure

Most power failures are corrected within a few hours and should not affect the temperature of your appliance if you minimize the number of times the door is opened. If the power is going to be off for a longer period of time, you need to take the proper steps to protect the contents.

## Vacations

- **Short vacations:** Leave the appliance operating during vacations of less than three weeks.
- **Long vacations:** If the appliance will not be used for several months, remove all items and turn off the appliance. Clean and dry the interior thoroughly. To prevent odor and mold growth, leave the door open slightly, blocking it open if necessary.

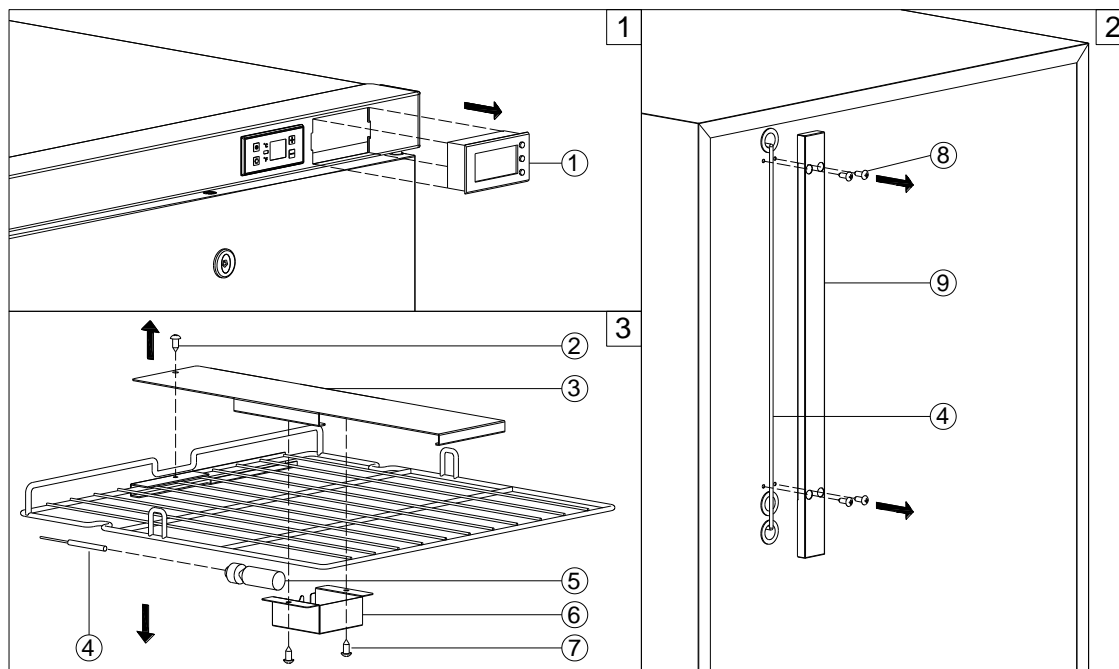
## MOVING YOUR APPLIANCE

1. Remove all items.
2. Securely tape down all loose items (shelves) inside your appliance.
3. Turn the adjustable legs up to the base to avoid damage.
4. Tape the door shut.
5. Be sure the appliance stays secure in the upright position during transportation. Also, protect the outside of the appliance with a blanket or similar item.

## Energy-Saving Tips

- The appliance should be located in the coolest area of the room or outdoor location, away from heat-producing appliances and out of direct sunlight.
- Ensure that the unit is adequately ventilated. Never cover air vents.
- Do not keep the door open any longer than necessary. Remove as many items as needed at one time, and close the door as soon as possible. Organize and label food to reduce door openings and extended searches.
- Let hot foods cool to room temperature before placing in the unit. Overloading the unit forces the compressor to run longer.
- Be sure to wrap foods properly, and wipe containers dry before placing them in the unit. This cuts down on frost build-up inside the unit.
- Unit shelves and storage bins should not be lined with aluminum foil, wax paper, or paper toweling. Liners interfere with cold air circulation, making the unit less efficient.

## How to Remove the Thermometer/Alarm



If you need to disconnect the thermometer / alarm, please follow these steps:

1. Gently pull out the Thermometer / Alarm (1) and then disconnect it from the temperature sensor cable. (Fig. 1)
2. Unscrew the three screws (2) and (7) to remove the shelf cover (3) and the glass bottle holder (6). Be careful to hold the glass bottle holder (6) and temperature sensor glass bottle (5) firmly after removing the screws. (Fig. 3)
3. Gently pull the temperature sensor head (4) out of the glass bottle (5).
4. Unscrew the screws (8) to remove the cable cover (9). (Fig. 2)
5. Now you can dismantle the temperature sensor cable (4) from the unit.

# TROUBLESHOOTING

You can solve many common problems easily, saving you the cost of a possible service call. Try the suggestions below to see if you can solve the problem before calling the servicer.

PROBLEM	POSSIBLE CAUSE	REMEDY
Appliance does not operate.	<ul style="list-style-type: none"> <li>• Appliance is not connected to a power supply.</li> <li>• The appliance is turned off.</li> <li>• Tripped circuit breaker or a blown fuse.</li> </ul>	<ul style="list-style-type: none"> <li>• Connect the appliance.</li> <li>• Switch on the appliance.</li> <li>• Switch on circuit breaker or replace fuse.</li> </ul>
Appliance is not cold enough.	<ul style="list-style-type: none"> <li>• The temperature is not set correctly.</li> <li>• The ambient temperature could require a lower temperature setting.</li> <li>• The door was opened too often.</li> <li>• The door was not closed completely.</li> <li>• Door is not hermetically sealed.</li> <li>• The condenser is too dirty.</li> <li>• The ventilation opening is blocked or too dusty.</li> </ul>	<ul style="list-style-type: none"> <li>• Check the set temperature.</li> <li>• Set a lower temperature.</li> <li>• Do not open the door more often than necessary.</li> <li>• Close door properly.</li> <li>• Check the door seal and clean or replace.</li> <li>• Clean the condenser when necessary.</li> <li>• Clear the obstructions and clean the dust.</li> </ul>
Appliance turns itself on and off frequently.	<ul style="list-style-type: none"> <li>• The room temperature is higher than average.</li> <li>• A large amount of food has been added to the unit.</li> <li>• The door is opened too often.</li> <li>• The door is not closed completely.</li> <li>• The door gasket does not seal properly.</li> </ul>	<ul style="list-style-type: none"> <li>• Put the appliance in a cooler place.</li> <li>• Leave the appliance to work for a while until the set temperature has been reached.</li> <li>• Do not open the door more often than necessary.</li> <li>• Close door properly.</li> <li>• Check the door seal and clean or replace.</li> </ul>
The light does not work.	<ul style="list-style-type: none"> <li>• Appliance is not connected to a power supply.</li> <li>• Tripped circuit breaker or a blown fuse.</li> <li>• The light was switched off on the control panel.</li> </ul>	<ul style="list-style-type: none"> <li>• Connect the appliance.</li> <li>• Switch on circuit breaker or replace fuse.</li> <li>• Switch on the light.</li> </ul>
Vibrations	<ul style="list-style-type: none"> <li>• The appliance is not properly leveled.</li> </ul>	<ul style="list-style-type: none"> <li>• Level the appliance with the adjustable feet.</li> </ul>
The appliance seems to make too much noise.	The rattling noise may come from the flow of the refrigerant, which is normal. As each cycle ends, you may hear gurgling sounds caused by the flow of refrigerant in your appliance. If temperature fluctuations occur, the contraction and expansion of the inner walls may cause popping and crackling noises.	
	<ul style="list-style-type: none"> <li>• The appliance is not properly level.</li> </ul>	<ul style="list-style-type: none"> <li>• Level the appliance with the adjustable feet.</li> </ul>
The door will not close properly.	<ul style="list-style-type: none"> <li>• The appliance is not properly level.</li> <li>• The door was reversed and not properly installed.</li> <li>• The gasket is dirty.</li> <li>• The shelves are out of position.</li> </ul>	<ul style="list-style-type: none"> <li>• Level the appliance with the adjustable feet.</li> <li>• Check the door hinge and reassemble correctly.</li> <li>• Clean the door gasket.</li> <li>• Check the shelves and refit correctly.</li> </ul>

Display "E0", "E1", "E2", "E3", "E4", "E5" or "E7".	<ul style="list-style-type: none"> <li>• "E0" indicates a communication error for 3-zone models.</li> <li>• "E1" or "E2" indicates that the air temperature sensor has failed.</li> <li>• "E3" or "E4" indicates that the defrost sensor in the evaporator has failed.</li> <li>• "E5" indicates a defrost heater failure.</li> <li>• "E7" indicates a door switch failure.</li> </ul>	<ul style="list-style-type: none"> <li>• Call for service.</li> </ul>
The alarm sounds and the temperature display flashes.	<p>Has the appliance door been open for longer than 60 seconds? If not, then the temperature has risen higher or fallen lower than the temperature that has been set. This could be due to:</p> <ul style="list-style-type: none"> <li>• The appliance door being opened too often.</li> <li>• The ventilation opening being covered or too dusty.</li> <li>• A lengthy interruption in the power supply.</li> <li>• A large amount of content has been added to the unit.</li> </ul>	<p>If yes, close the door.</p> <ul style="list-style-type: none"> <li>• Do not open the door more often than necessary.</li> <li>• Clear the obstructions and clean the dust.</li> <li>• Leave the appliance to work for a while until the set temperature has been reached.</li> </ul>
The icon "--" is lit and flashing in the temperature display.	<ul style="list-style-type: none"> <li>• The display temperature is out of range.</li> </ul>	<ul style="list-style-type: none"> <li>• Only temperatures within the range 0~99°F/-9~37°C for ACR45L and the range -49~99°F/-45~37°C for ACF33L can be displayed. If the temperature is not within this range, the icon "--" will be displayed instead. This is normal.</li> </ul>

If you've checked the table above and find that you still need help with your appliance, call our Customer Service facility at **800-932-4267** between 9:00AM and 5:00PM ET. We will do our best to answer your questions.

**This product uses eco-friendly hydrocarbon refrigerant and fully complies with California CARB regulations.**

However, we are required by California Law to provide the following disclosure statement in every product sold in California.

*"This equipment is prohibited from use in California with any refrigerants on the 'List of Prohibited Substances' for that specific end-use, in accordance with California Code of Regulations, title 17, section 95374. This disclosure statement has been reviewed and approved by Felix Storch, Inc. and Felix Storch, Inc. attests, under penalty of perjury, that these statements are true and accurate."*

This product does **not** use any refrigerants on the 'List of Prohibited Substances'"

# NOTES

# LIMITED WARRANTY

## ONE-YEAR LIMITED WARRANTY

Within the 48 contiguous United States, for one year from the date of purchase, when this appliance is operated and maintained according to instructions attached to or furnished with the product, warrantor will pay for factory-specified parts and repair labor to correct defects in materials or workmanship. Service must be provided by a designated service company. Outside the 48 states, all parts are warranted for one year from manufacturing defects. Plastic parts, shelves and cabinets are warranted to be manufactured to commercially acceptable standards, and are not covered from damage during handling or breakage.

### *ITEMS WARRANTOR WILL NOT PAY FOR:*

1. Service calls to correct the installation of your appliance, to instruct you how to use your appliance, to replace or repair fuses or to correct wiring or plumbing.
2. Service calls to repair or replace appliance light bulbs or broken shelves. Consumable parts (such as filters) are excluded from warranty coverage.
3. Damage resulting from accident, alteration, misuse, abuse, fire, flood, acts of God, improper installation, installation not in accordance with electrical or plumbing codes, or use of products not approved by warrantor.
4. Replacement parts or repair labor costs for units operated outside the United States.
5. Repairs to parts or systems resulting from unauthorized modifications made to the appliance.
6. The removal and reinstallation of your appliance if it is installed in an inaccessible location or is not installed in accordance with published installation instructions.

## DISCLAIMER OF IMPLIED WARRANTIES; LIMITATION OF REMEDIES

CUSTOMER'S SOLE AND EXCLUSIVE REMEDY UNDER THIS LIMITED WARRANTY SHALL BE PRODUCT REPAIR AS PROVIDED HEREIN. IMPLIED WARRANTIES, INCLUDING WARRANTIES OF MERCHANTABILITY OR FITNESS FOR A PARTICULAR PURPOSE, ARE LIMITED TO ONE YEAR. WARRANTOR SHALL NOT BE LIABLE FOR INCIDENTAL OR CONSEQUENTIAL DAMAGES. SOME STATES DO NOT ALLOW THE EXCLUSION OR LIMITATION OF INCIDENTAL OR CONSEQUENTIAL DAMAGES, OR LIMITATIONS ON THE DURATION OF IMPLIED WARRANTIES OF MERCHANTABILITY OR FITNESS, SO THESE EXCLUSIONS OR LIMITATIONS MAY NOT APPLY TO YOU. THIS WARRANTY GIVES YOU SPECIFIC LEGAL RIGHTS AND YOU MAY ALSO HAVE OTHER RIGHTS, WHICH VARY FROM STATE TO STATE.



**WARNING:** This product can expose you to chemicals including Nickel (Metallic) which is known to the State of California to cause cancer.

For more information go to [www.P65Warnings.ca.gov](http://www.P65Warnings.ca.gov)

Note: Nickel is a component in all stainless steel and some other metallic compositions.

# accucold

Printed in China