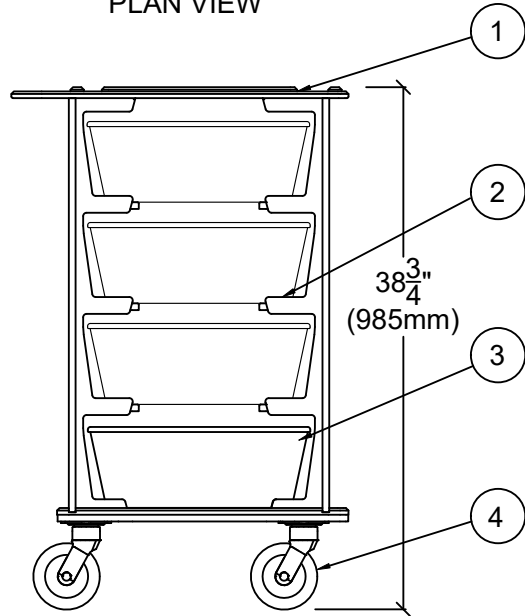
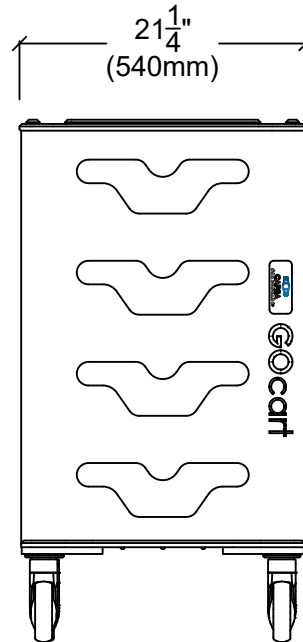


PLAN VIEW

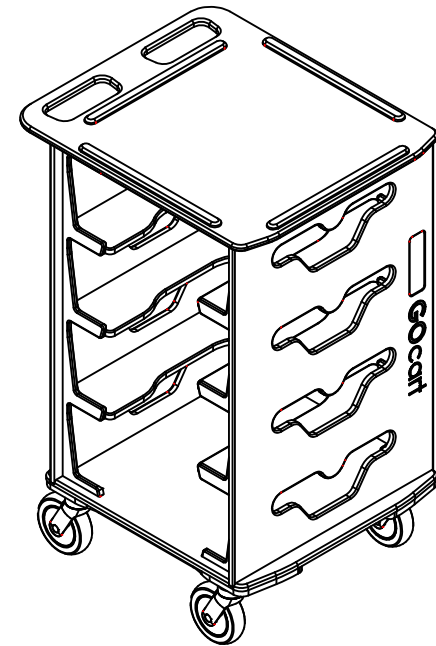
	CART CONSTRUCTED OF 1/2" MACHINED ANTIMICROBIAL HDPE
1	FLAT TOP W/ STOPS
2	TRAY STOPS (typ.)
3	INCLUDES 4 AUTOCLAVABLE TRAYS & LIDS
4	5" DIA. CASTERS



ELEVATION



ELEVATION



ISOMETRIC



Item
 HIGH-DENSITY POLYETHYLENE (HDPE) PLASTIC CART
 P6204 MASS™ 4-TIER WIPE DOWN SCOPE TRANSPORT CART