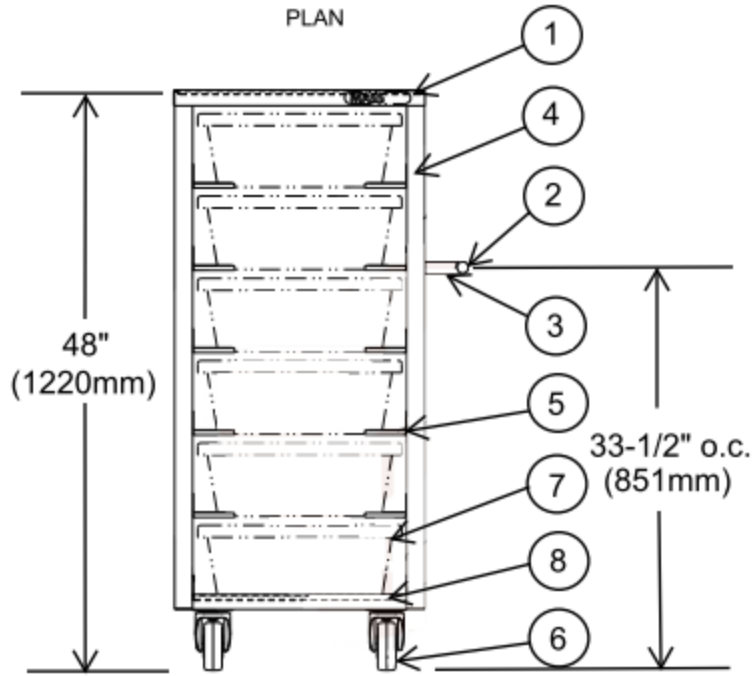
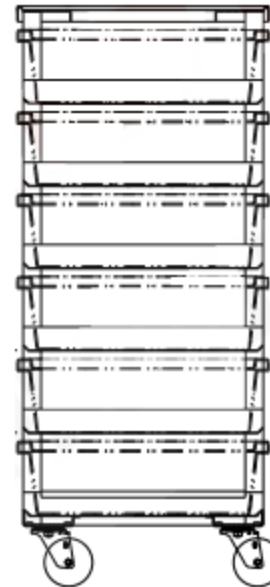


1	FLAT TOP W/ INVERTED "V" EDGE, 16GA. 300 SERIES SS
2	1" DIA. SS TUBE HANDLE
3	1" SS FLAT BAR HANDLE BRKT.
4	1-1/2" SQ. SS TUBE LEGS
5	SLIDES FOR BINS W/ RAISED ENTRY, 16GA. 300 SERIES SS
6	4" DIA. CASTERS, HIGH TEMPERATURE PHENOLIC
7	AUTOCLAVABLE TRAYS & LIDS
8	BOTTOM SHELF WITH INVERTED "V" EDGE

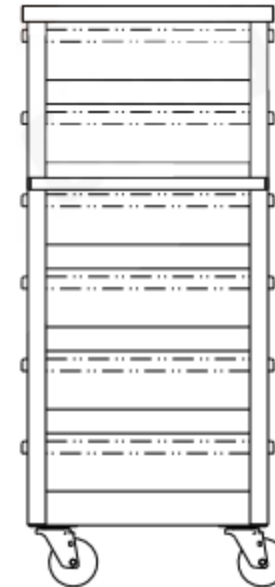
PLAN



ELEVATION



SECTION



ELEVATION



Item  
**STAINLESS STEEL CART**  
**M6206SS MASS STAINLESS STEEL, STEEL CLEANABLE**  
**(Autoclavable) 6-Tier Scope Transport Cart**