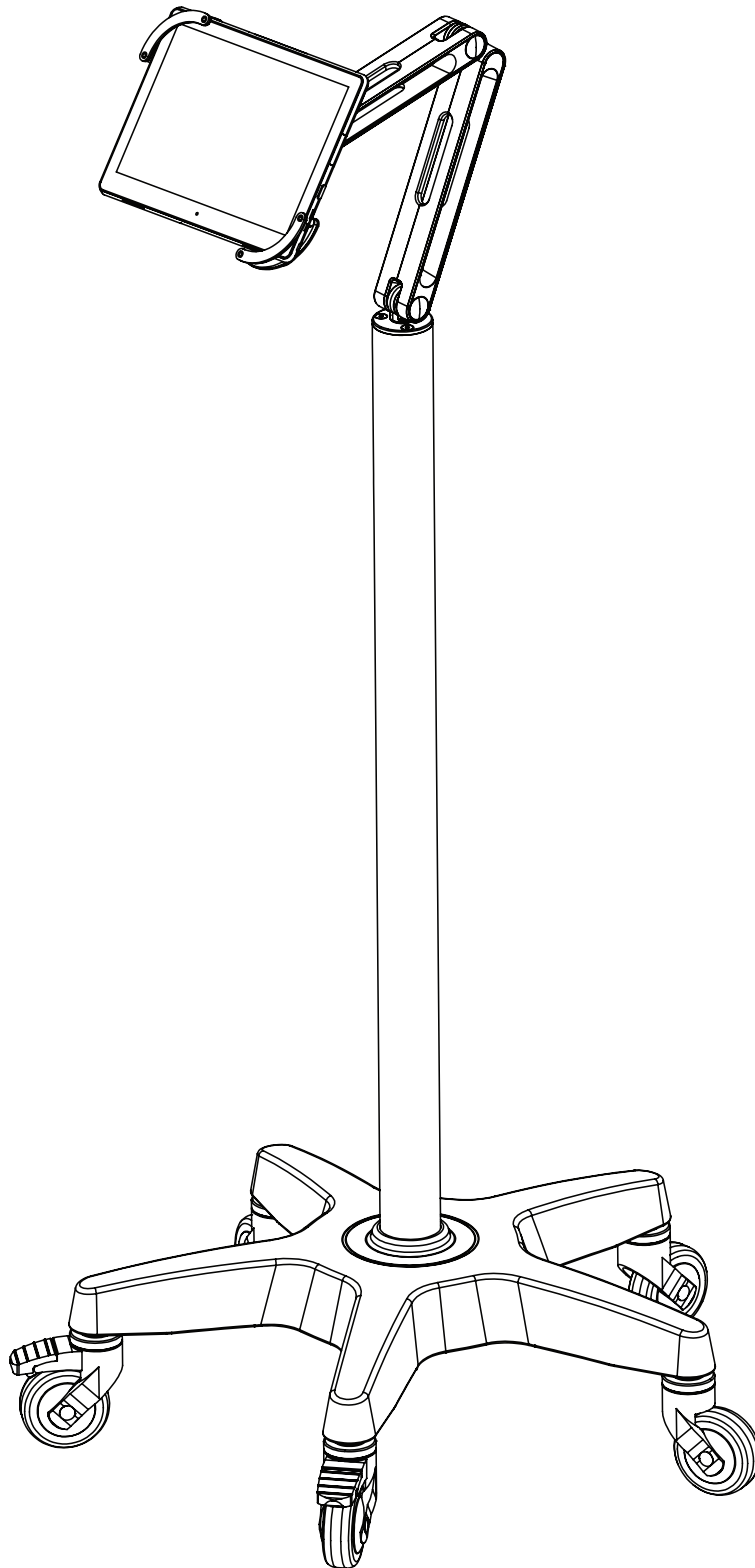


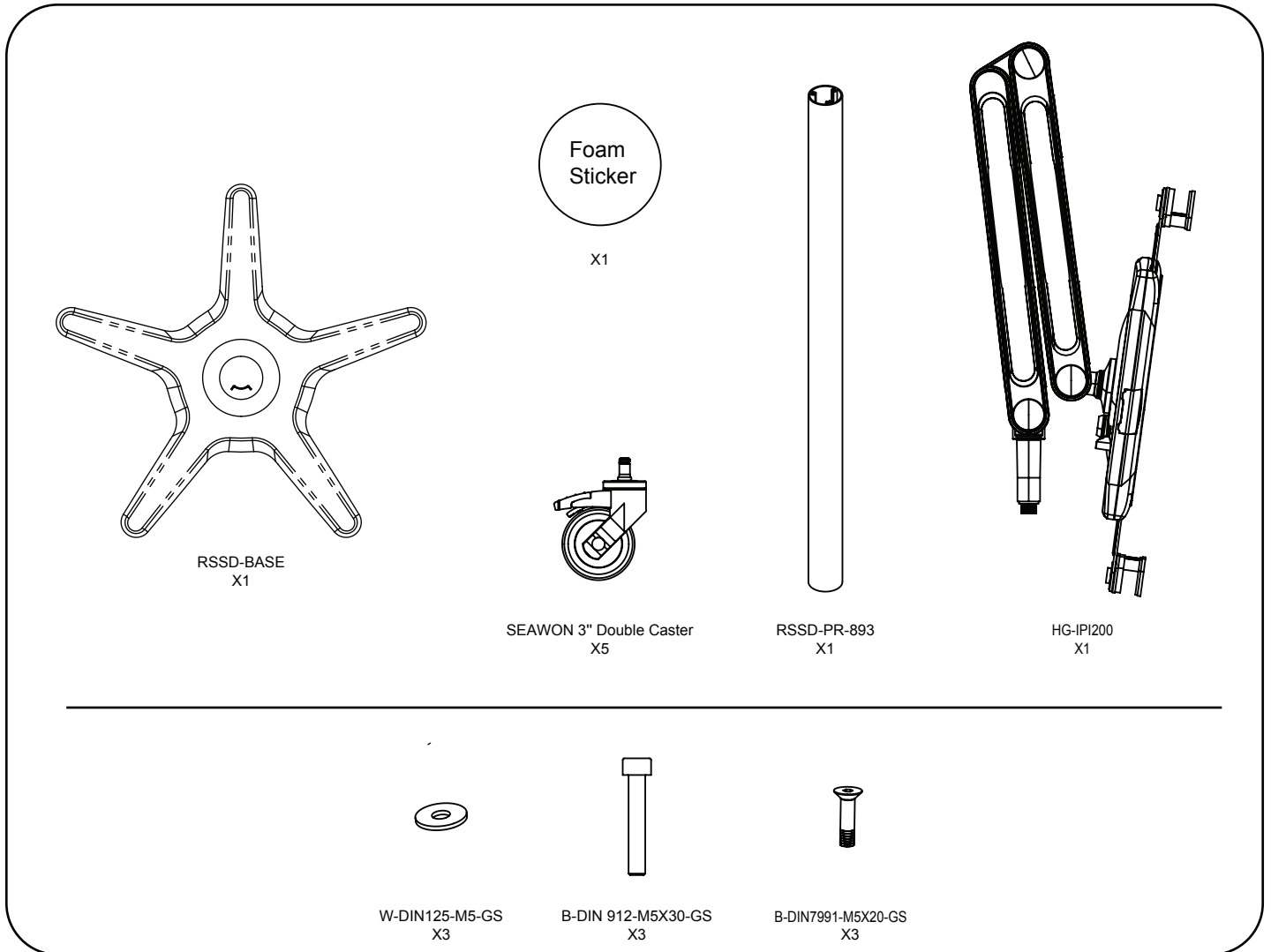


Assembly Instructions

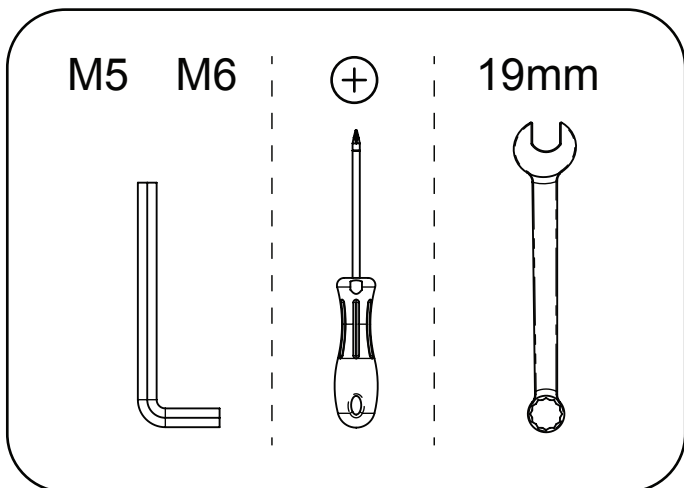
5WRS-TLMD | Telemedia 5 Wheels Roll Stand



Package includes



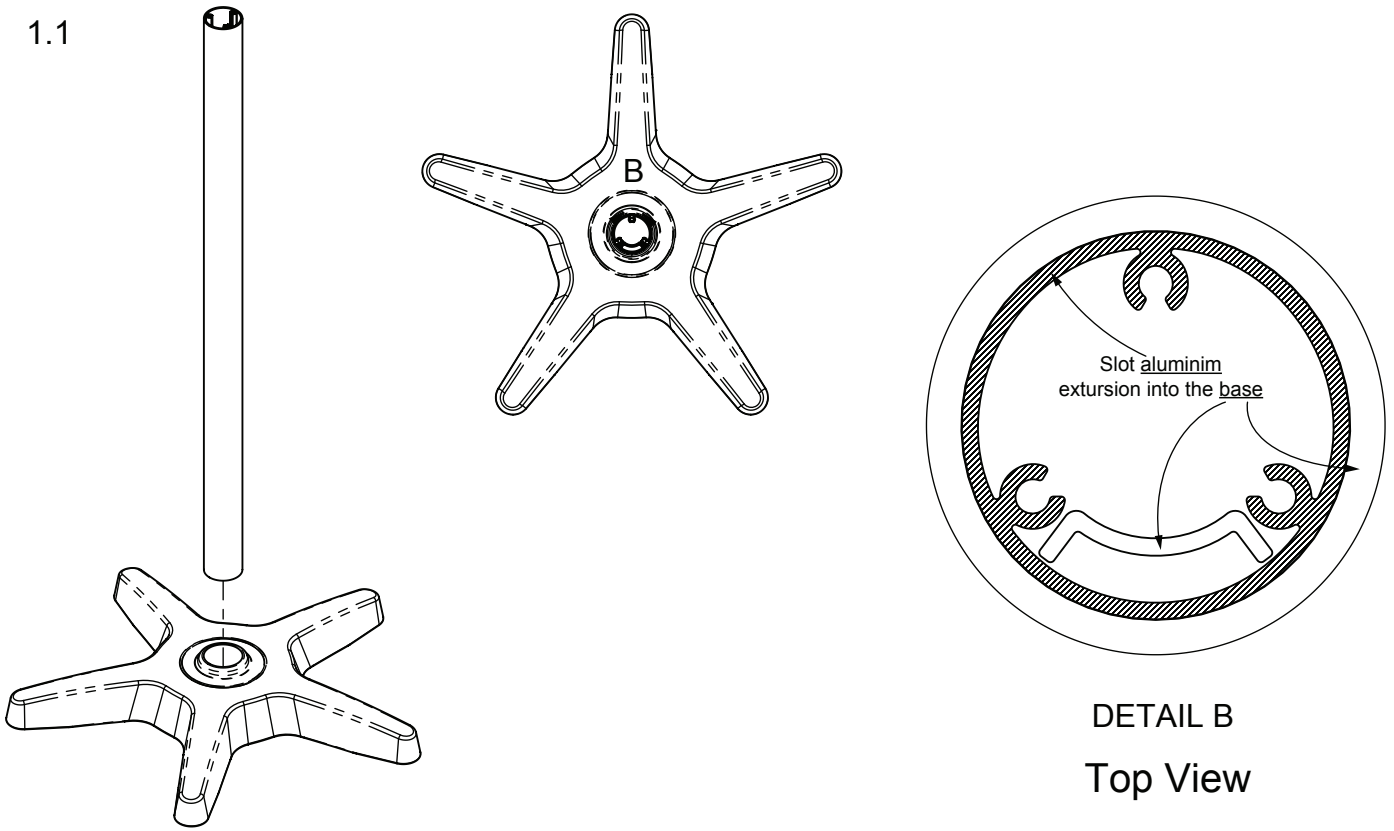
Tools required



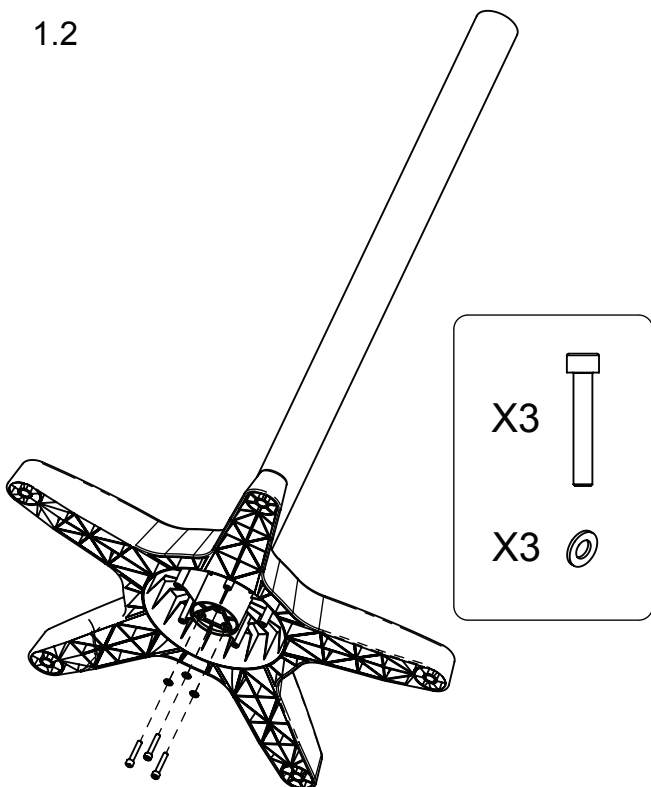
WARNING!

- During assembly use appropriate work apparel and closed shoes.
- To avoid scratches, do not assemble on a hard floor, use a rug or the cardboard packaging.
- If any questions or difficulties arise, contact us, we'll be happy to help.

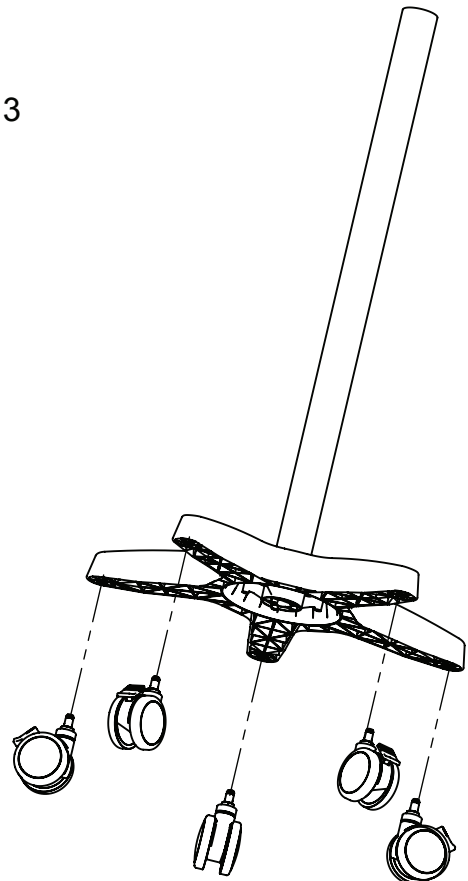
1.1



1.2

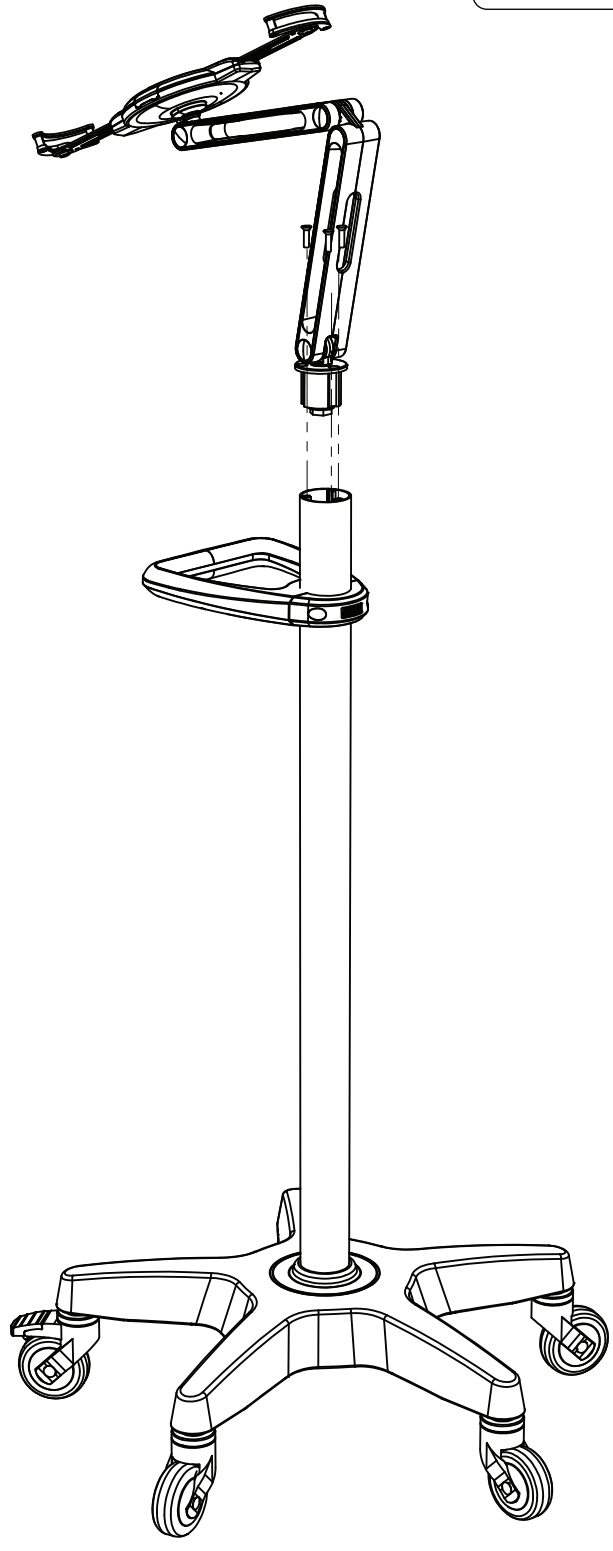



1.3



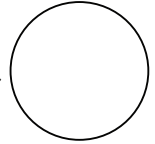
2.2

X3



Note - Before proceeding with the tablet installation install any desired accessories, basket or handle.

Foam Sticker



3.2 Place tablet between grips

3.1 Attach foam sticker

3.3 Close grips

3.4

Secure and use the key to lock

