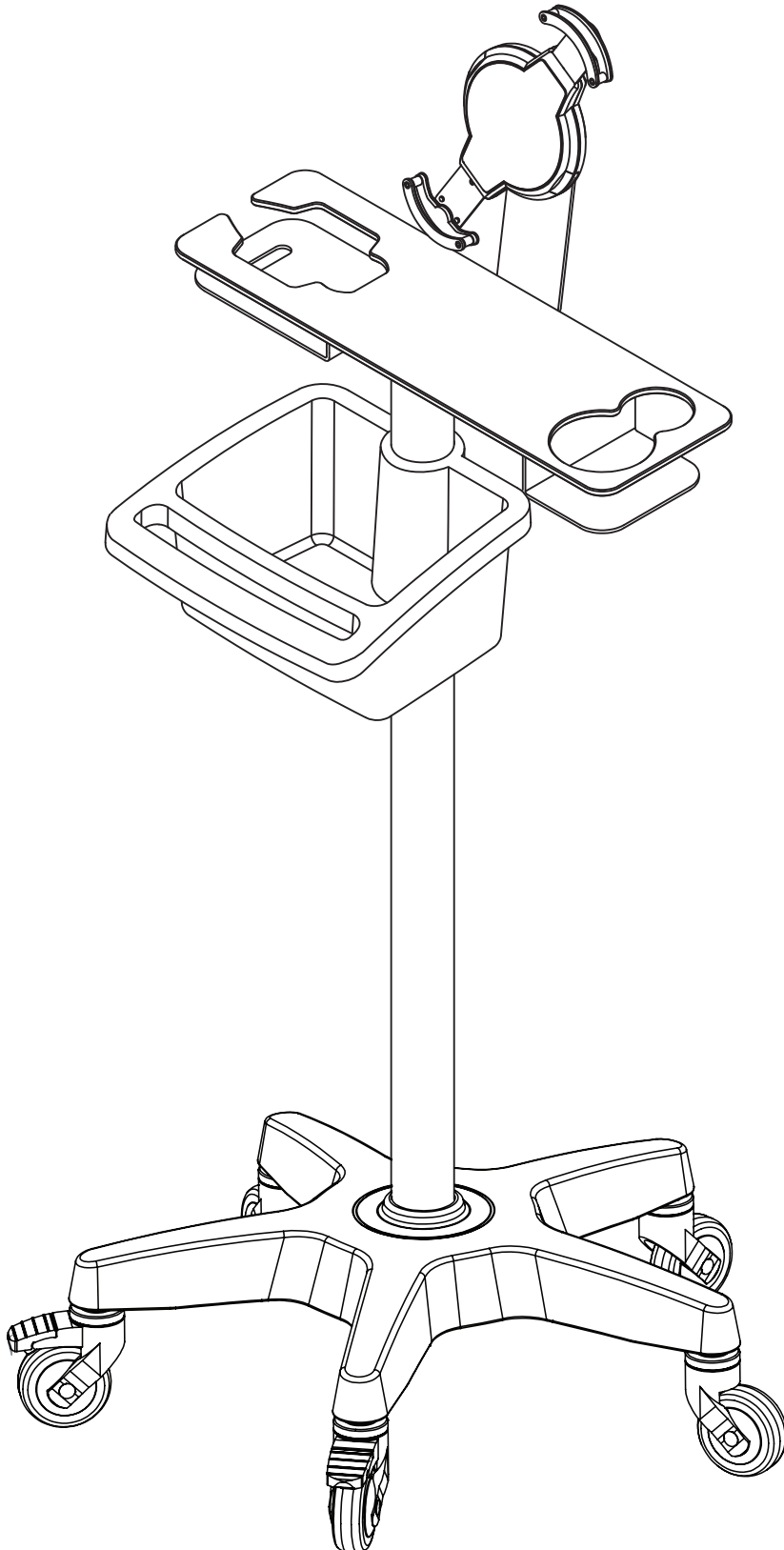




Assembly Instructions

5WRS-US | Ultrasound 5 Wheels Roll Stand



Package includes

5WRS-US-HPL-WS-BF
Compatible with:
Butterfly iQ+

OR

5WRS-US-HPL-WS-GE
Compatible with:
GE Vscan Air CL
GE Vscan Air SL

Stickers

3M X1 Foam X1 LOGO X1

x3 **x3** **x6** **x3** **x2**

W-DIN125-M5-GS B-DIN 912-M5X30-GS S-WN1412-4X12-ZP B-ISO7380-M5x30-G B-DIN 965-M4X8-GS

Tools required

M5

+

WARNING!

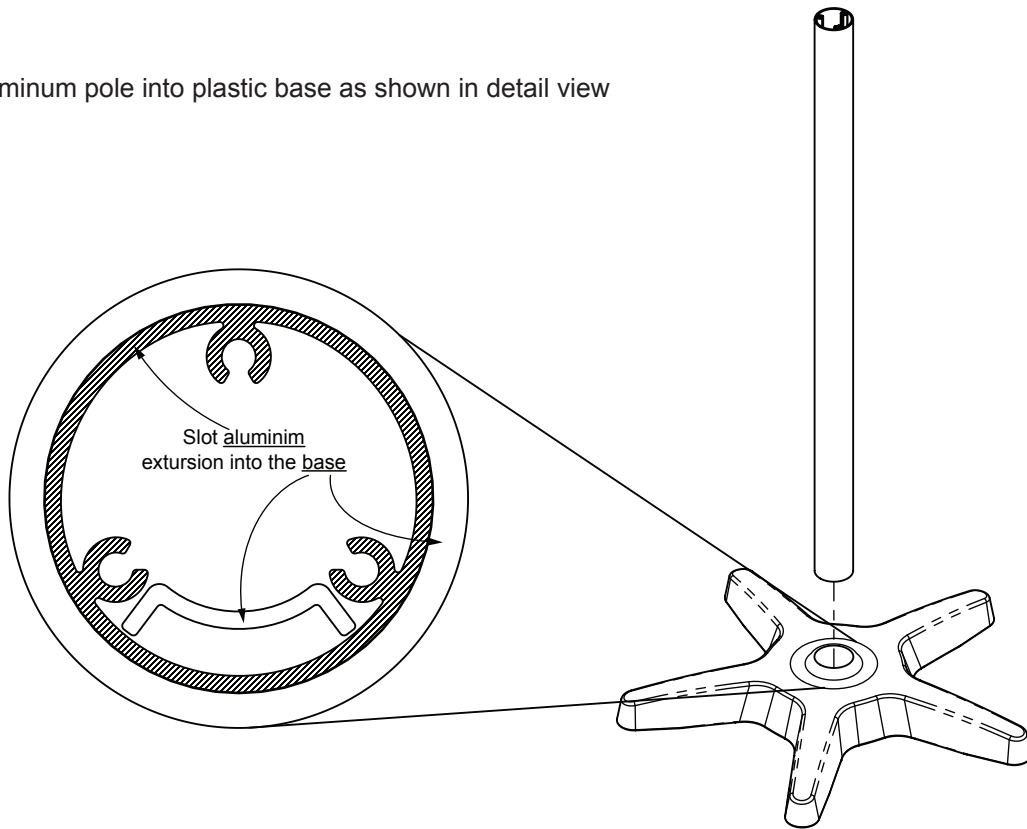
- During assembly use appropriate work apparel and closed shoes.
- To avoid scratches, do not assemble on a hard floor, use a rug or the cardboard packaging.
- If any questions or difficulties arise, contact us, we'll be happy to help.

STEP 1

Profile and Wheels Assembly

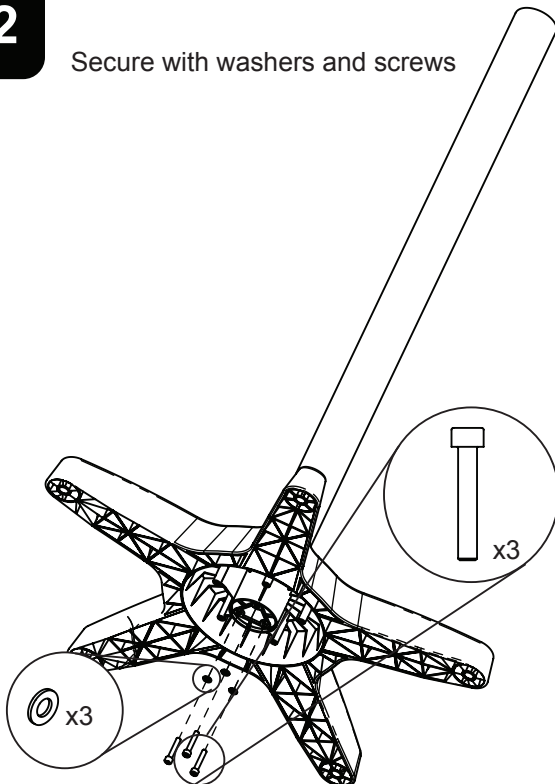
1.1

Fit aluminum pole into plastic base as shown in detail view



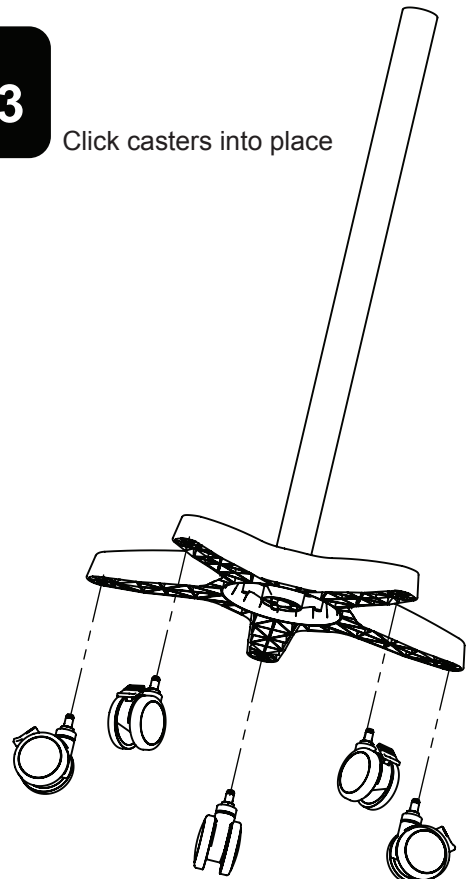
1.2

Secure with washers and screws



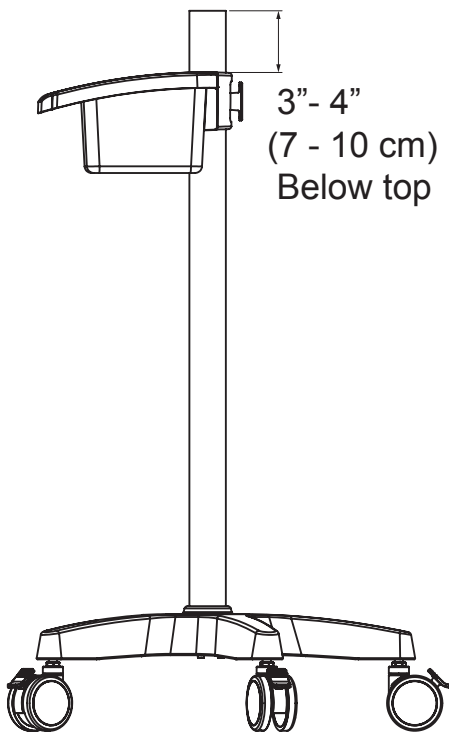
1.3

Click casters into place



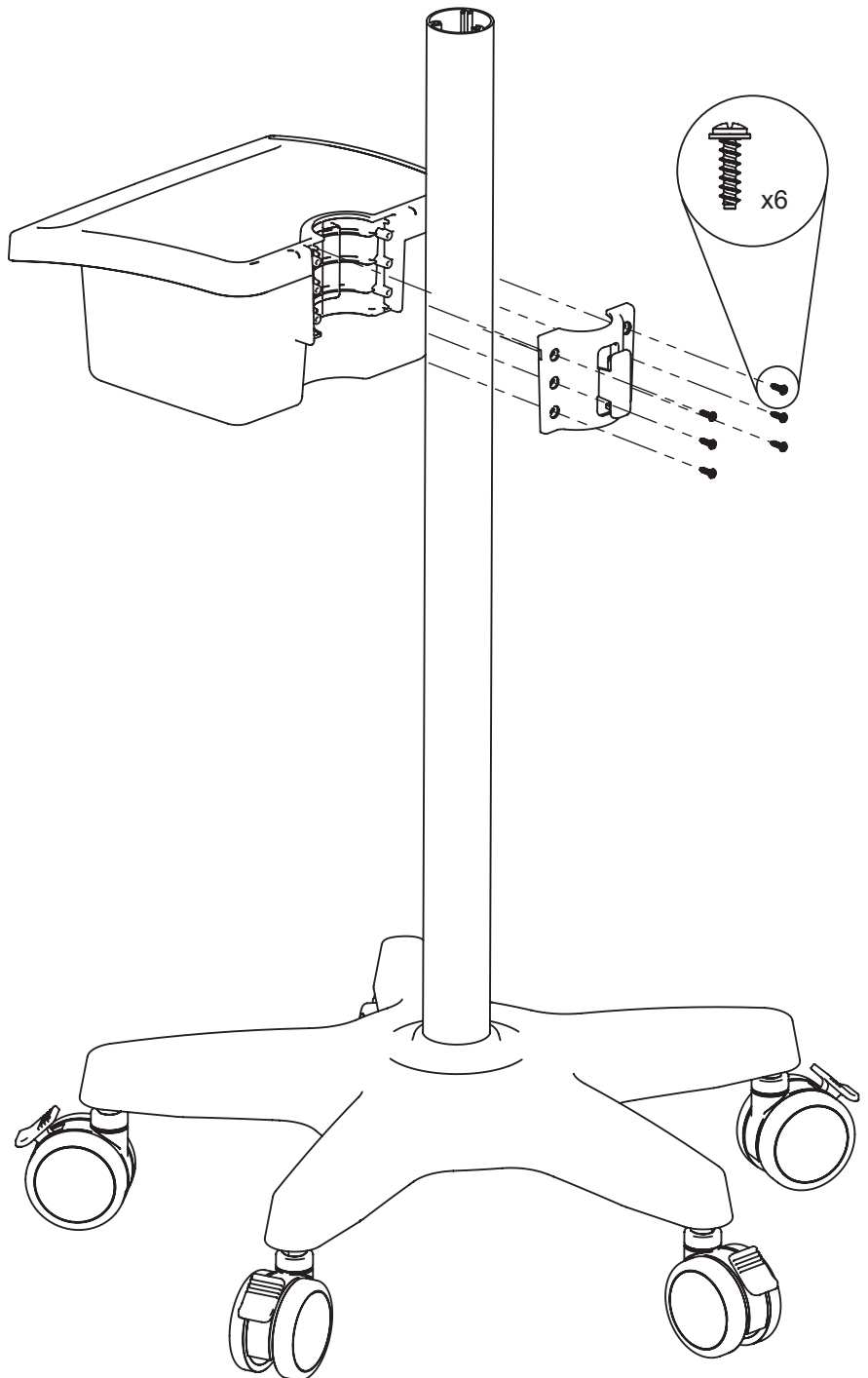
2.1

Measure and mark the spot for the basket



2.2

Screw basket in place on the pole

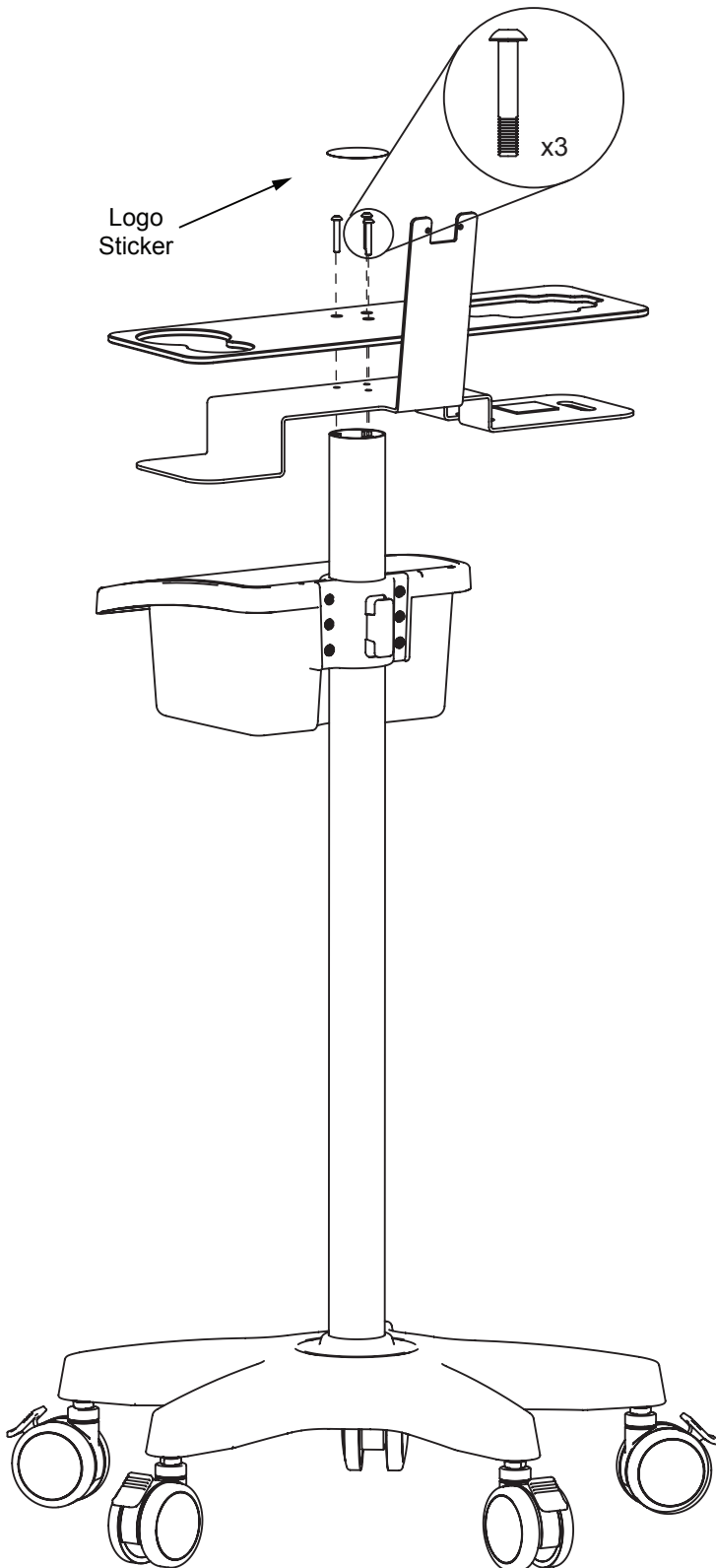


STEP 3

Ultrasound Worksurface Assembly

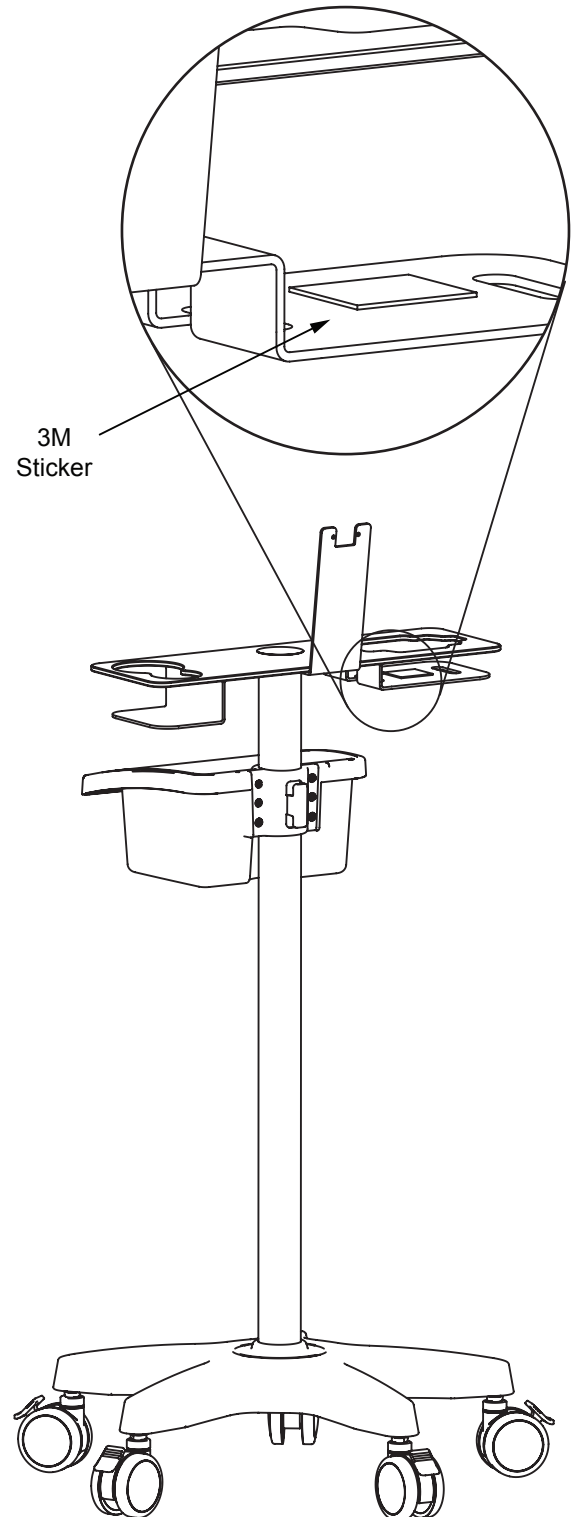
3.1

Place both parts of the worksurface on top of the stand and secure with screws.
Place sticker over screws with logo facing outwards



3.2

Place sticker directly below opening in the top worksurface

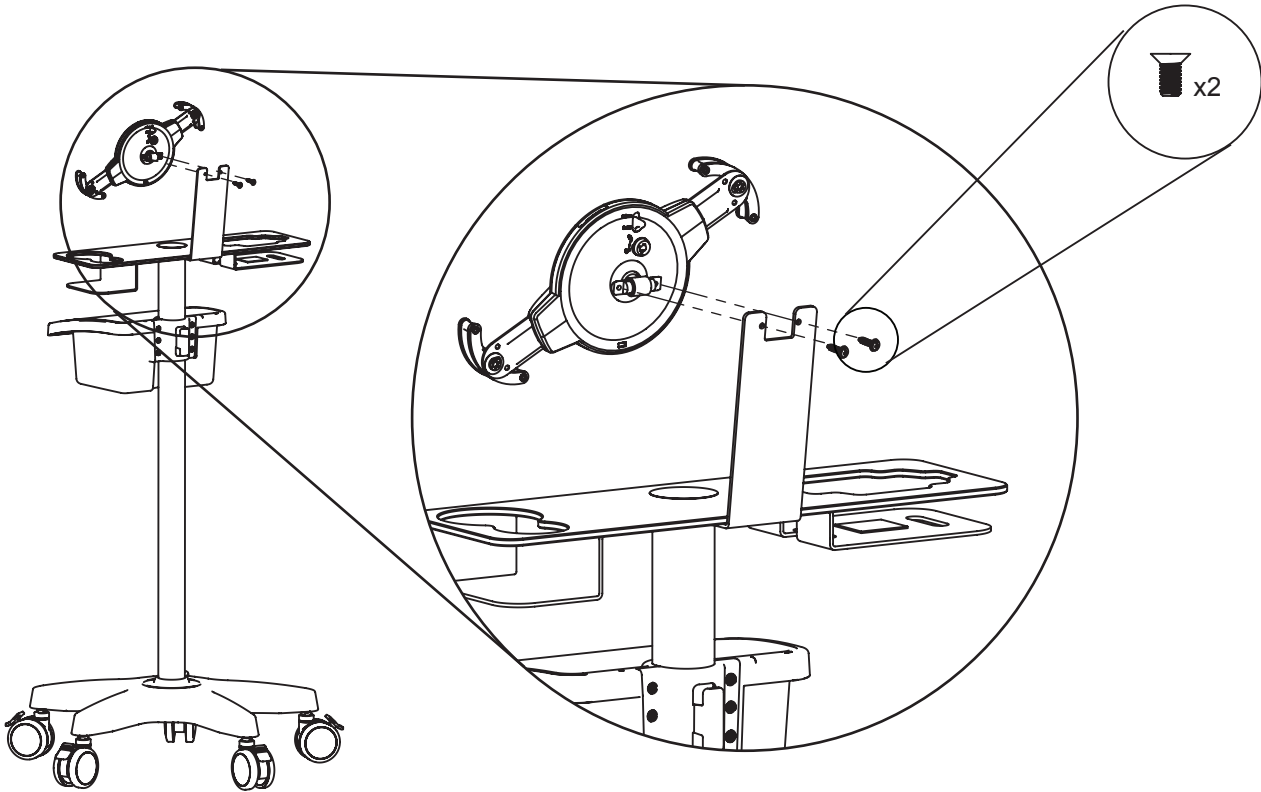


STEP 4

Tablet Holder Assembly

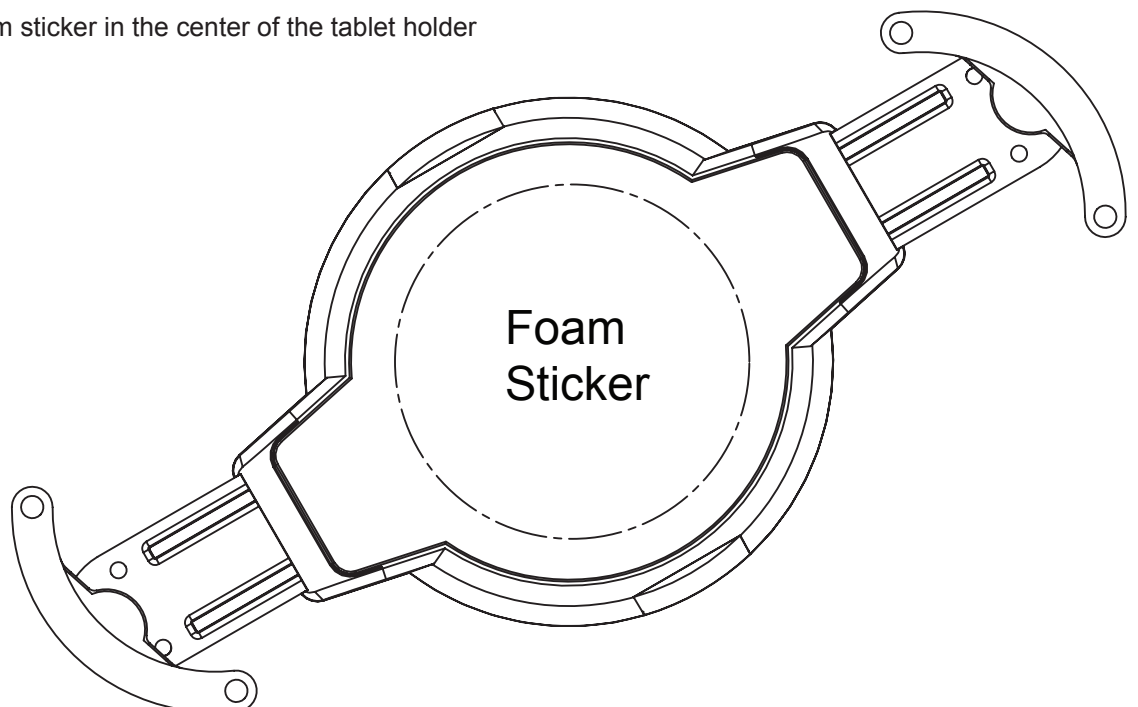
4.1

Place tablet holder on stand, attach with screws



4.2

Place the foam sticker in the center of the tablet holder

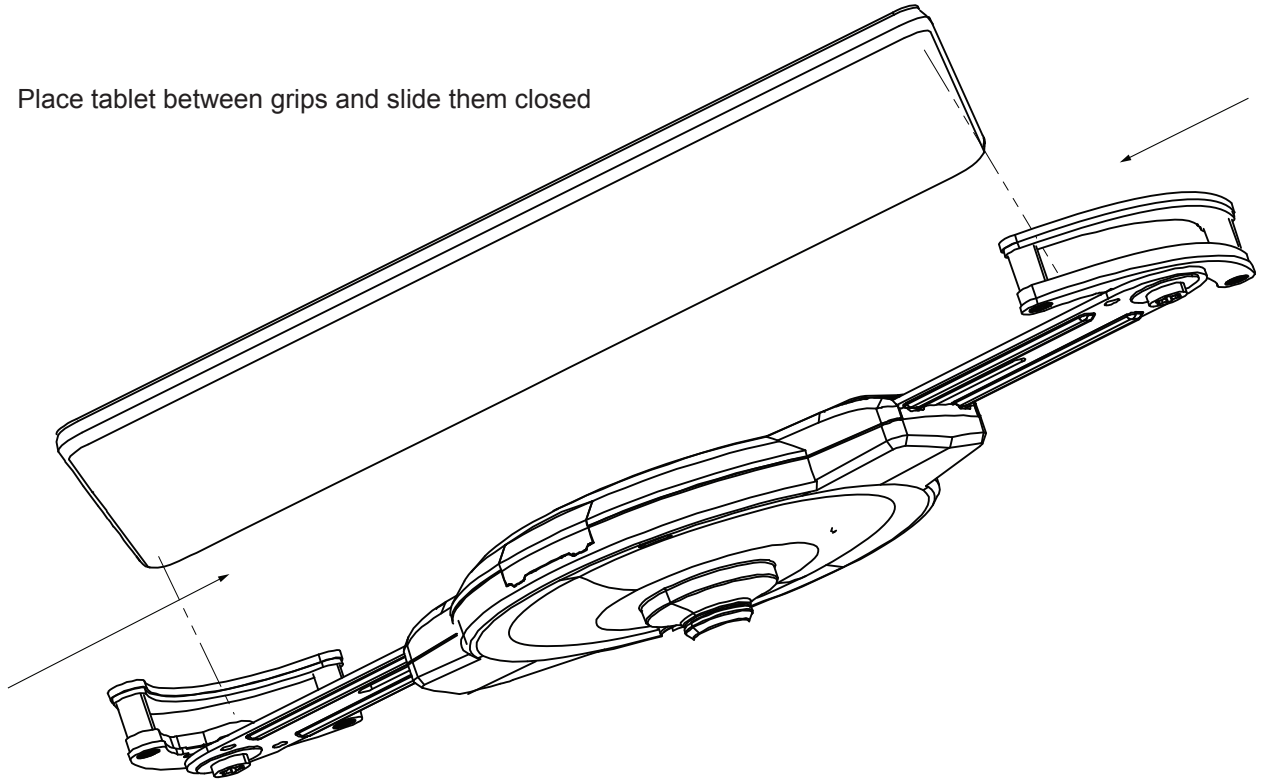


STEP 5

Tablet Instalation

5.1

Place tablet between grips and slide them closed



5.2

Secure and use the key to lock

