

**MOBILE NUCLEAR MEDICINE INJECTION CART  
WITH ELECTRIC LIFT – 10 MM PB PROTECTION**

**PRODUCT INFORMATION**

## PRODUCT INFORMATION

### MOBILE NUCLEAR MEDICINE INJECTION CART WITH ELECTRIC LIFT – 10 MM PB PROTECTION



The Phillips Safety Multi-Functional Mobile Nuclear Medicine Injection Cart is a fully integrated radiation protection workstation designed for safe and efficient radiopharmaceutical preparation and injection procedures. This unit combines a lead-shielded L-block protective screen with a 304 stainless-steel mobile cart to provide optimal operator safety, mobility, and ergonomic flexibility in nuclear medicine environments.

**Precision Radiation Shielding.** The integrated L-shaped protective screen offers 10 mm Pb-equivalent shielding, effectively reducing exposure to gamma and x-ray radiation during isotope handling and patient dose preparation. The lead-glass observation window (approximately 8.7" × 13.8") provides clear visibility while maintaining the same protection level as the surrounding lead panels.

**Premium Stainless-Steel Construction.** Constructed from 304 stainless steel, the injection cart features an anti-fingerprint finish that is durable, easy to clean, and resistant to corrosion and chemical agents. This ensures a hygienic, professional appearance suitable for hospital and laboratory environments.

**Electric Height Adjustment.** The workstation includes a plug-in electric lift system with a 4-inch (100 mm) lifting stroke, allowing users to easily adjust the working height for maximum comfort and safety during various procedures. This feature makes it suitable for both standing and seated operation.

**Mobility and Stability.** Equipped with four locking, load-bearing universal casters, the cart can be easily maneuvered or locked securely in place. The compact design enables smooth movement through laboratory spaces without compromising stability during operation.

**Integrated Lighting.** A built-in lighting system provides clear, focused illumination of the working area, ensuring precision and safety during injection and preparation tasks even in low-light conditions.

## SPECIFICATION

**SHAPE:** L-Block

**MATERIAL:** 304 Stainless Steel

**LEAD EQUIVALENCY:** 10mm Pb Eq

**APPROXIMATE WEIGHT:** 112 LBS

**L-SCREEN SIZE:** 17.7"L x 16.5"W x 19.3"H

**GLASS WINDOW SIZE:** 8.7"W x 13.8"L

**OVERALL SIZE:** 18.2"L x 25.7"W x 46.7"H

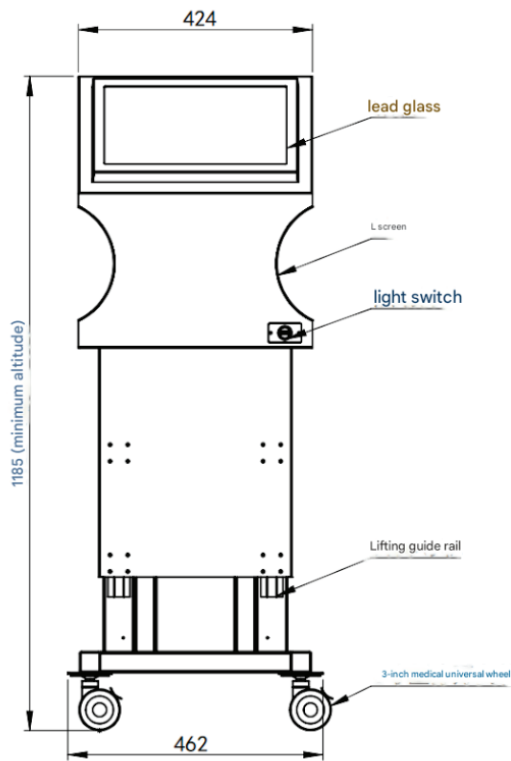
**FEATURES:** Anti-fingerprint finish; Lead-glass window; 4 locking universal load-bearing wheels; Integrated overhead lamp; Electric lift stroke; Compact, mobile design suitable for hospital or lab use

**APPLICATIONS:** Nuclear medicine injection and radiopharmaceutical handling; PET and SPECT dose preparation; Research and laboratory environments requiring mobile radiation shielding; Medical imaging and isotope injection rooms

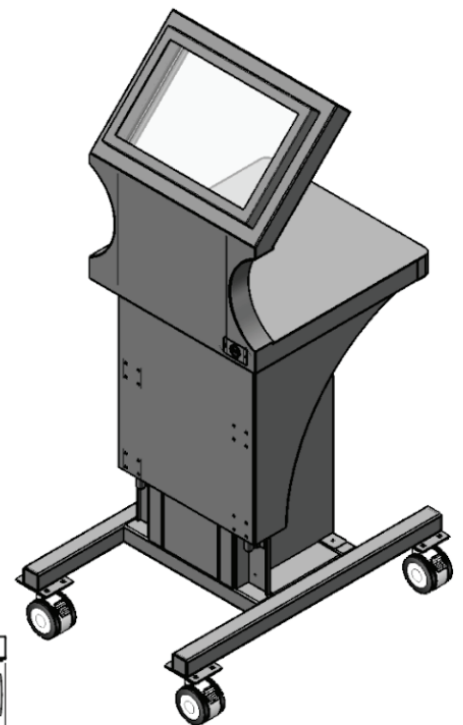
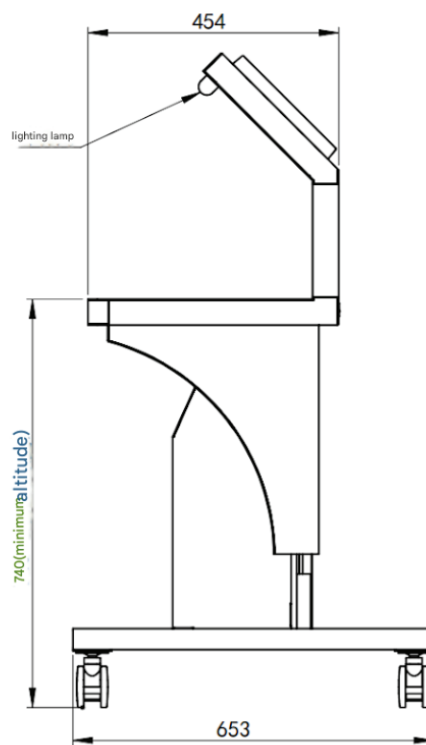
## PRODUCT INFORMATION

# PRODUCT INFORMATION

## MOBILE NUCLEAR MEDICINE INJECTION CART WITH ELECTRIC LIFT – 10 MM PB PROTECTION



Electric lifting height 100mm



Material	weight	Proportion	
components	112.158	1:10	Electric lifting injection car
mapping		2025/5/30	Shandong Hongxinyu Medical Technology Co., Ltd.