

# L BLOCK SHIELD AND CAVE

PRODUCT INFORMATION

COPYRIGHT ©2025. ALL RIGHTS RESERVED



## PRODUCT INFORMATION

### L BLOCK SHIELD AND CAVE



The Phillips Safety L-Block Nuclear Shield and Cave provides dependable radiation protection for nuclear medicine, isotope handling, and radiopharmacy workstations. Engineered with precision, this shield offers the ideal balance between protection, visibility, and mobility for laboratory environments handling low- to medium-activity radionuclides.

#### Reliable Radiation Shielding

Built with 10 mm or 20 mm Pb-equivalent protection, this L-shaped shield effectively attenuates gamma and x-ray radiation. The integrated front and top panels form a protective cave that safeguards operators from both direct and scatter radiation during isotope dose preparation and manipulation tasks.

#### Stainless-Steel Wrapped Construction

The entire unit is fully enclosed in stainless steel, ensuring long-lasting durability and easy cleaning. Its smooth, non-porous finish resists corrosion and contamination, making it suitable for sterile or high-radiation environments found in modern hot labs and nuclear medicine departments.

#### Observation Window

A lead-glass viewing window (approximately 12" × 9") provides clear visibility into the working area while maintaining the equivalent protection. The window is positioned at a 135° viewing angle to reduce glare and allow comfortable observation during procedures.

#### Compact and Functional Design

## SPECIFICATION

**SHAPE:** L-Block | **INCLUDES:** Shield & Cave

**MATERIAL:** Stainless Steel

**APPROXIMATE WEIGHT:** 99.5 lbs

**WINDOW SIZE:** 12"W × 9"H | **OVERALL SIZE:**

- 10mm Pb: 17.1" D x 15.4"H x 16.2"W
- 20mm Pb: 17.5" D x 15.4"H x 17"W

**LEAD EQUIVALENCY:** 10mm Pb Eq, 20mm Pb Eq

**FEATURES:** Large lead-glass viewing window, Ergonomic 135° viewing angle; Compact, bench-top compatible form factor

**APPLICATIONS:** Nuclear medicine and radiopharmacy preparation areas; Research facilities handling radioactive isotopes; Shielded syringe preparation and dose calibration stations; Laboratory hot cells and containment enclosures

## PRODUCT INFORMATION

**PRODUCT INFORMATION**  
L BLOCK SHIELD AND CAVE

**10 mm Pb Lead Equivalency:**

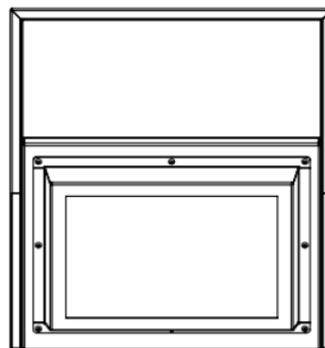
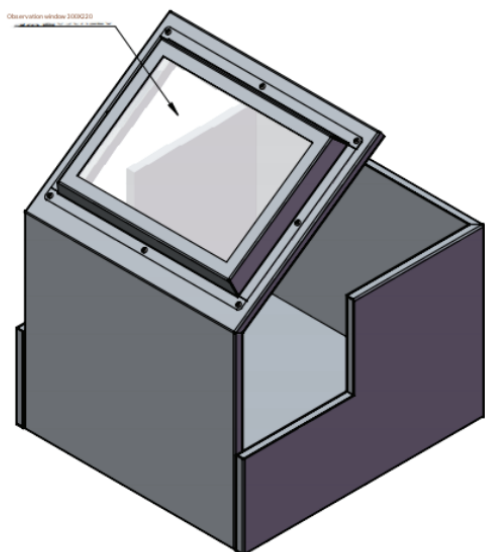
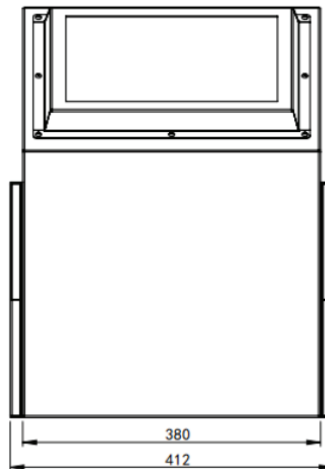
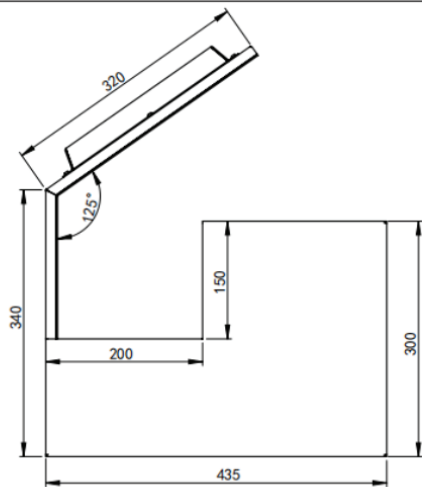
Overall depth: 17.1 inches

Overall height: 15.4 inches

Overall width: 16.2 inches

Viewing angle: 135° (front-to-top)

Observation window height: 5.9 inches above base



Material	weight	Proportion	
components	99.524	1:5	L screen (with enclosure)-10Pb
mapping	ZhenTao	2024/11/30	Shandong Hongxinyu Medical Technology Co., Ltd.

**PRODUCT INFORMATION**  
L BLOCK SHIELD AND CAVE

**20 mm Pb Lead Equivalency:**

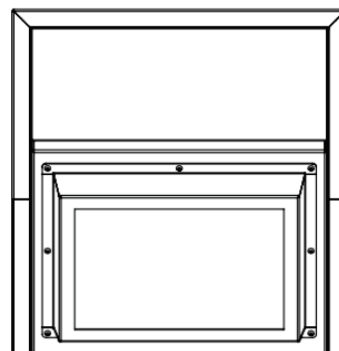
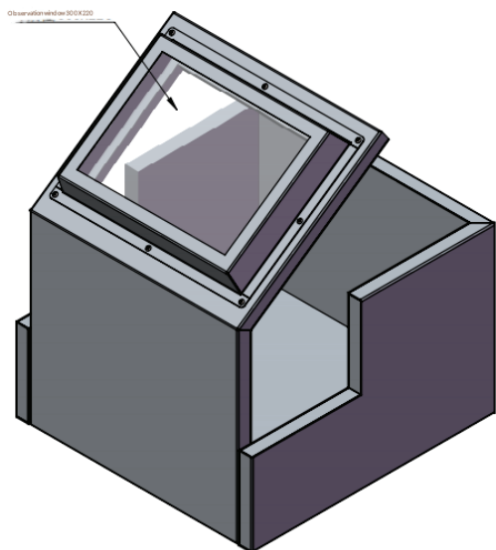
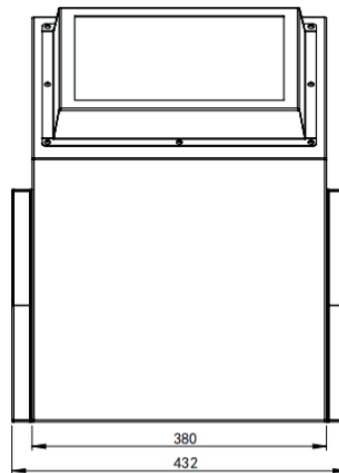
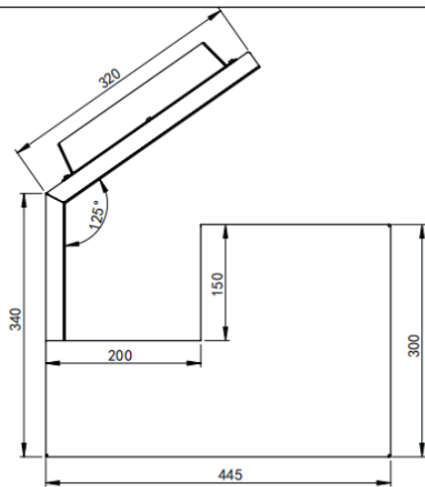
Overall depth: 17.5 inches

Overall height: 15.4 inches

Overall width: 17 inches

Viewing angle: 135° (front-to-top)

Observation window height: 5.9 inches above base



Material	weight	Proportion	
components	175.640	1:5	L screen (with enclosure)-20Pb
mapping	Zhen Yuchao	2024/11/30	Shandong Hongyinyu Medical Technology Co., Ltd.